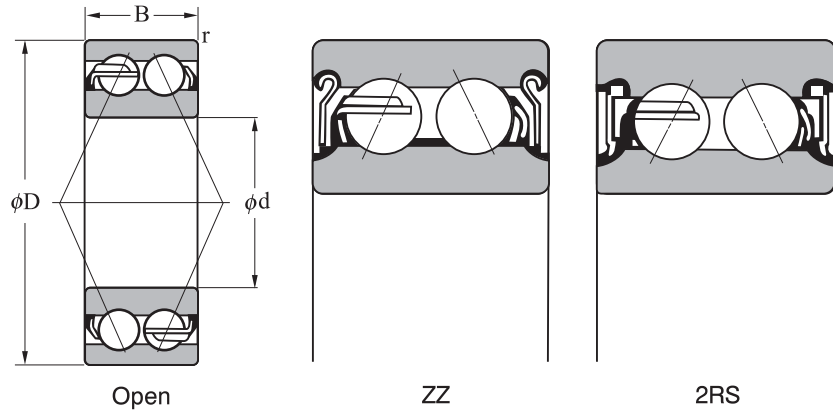


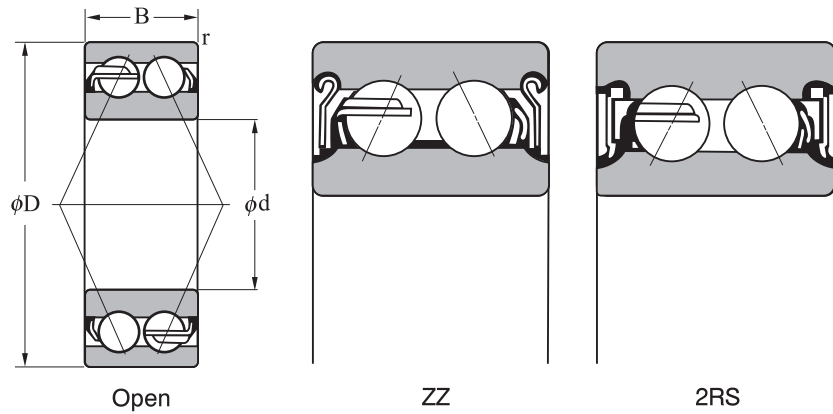
DOUBLE ROW ANGULAR CONTACT BALL BEARINGS



3200 Series

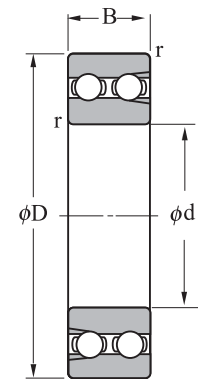
Bearing Number	Nominal Dimension mm (in)				Load Rating (kN)		Limiting Speed (RPM)		Weight Kg
					Dynamic C	Static Co	Grease Lube	Oil Lube	
	d	D	B	r					
3200	10 0.3937	30 1.1811	14.3 0.5629	0.6	7.35	5.35	15000	20000	0.052
3201	12 0.4724	32 1.2598	15.9 0.6259	0.6	9.70	7.15	14000	18000	0.063
3202	15 0.5905	35 1.3779	15.9 0.6259	0.6	9.70	7.45	12000	16000	0.072
3203	17 0.6692	40 1.5748	17.5 0.6889	0.6	13.80	10.80	11000	14000	0.100
3204	20 0.7874	47 1.8503	20.6 0.8110	1.0	17.20	15.00	9000	12000	0.170
3205	25 0.9842	52 2.0472	20.6 0.8110	1.0	18.90	18.20	7800	10000	0.190
3206	30 1.1812	62 2.4409	23.8 0.9370	1.0	27.30	27.00	6500	8700	0.320
3207	35 1.3779	72 2.8346	27.0 1.0629	1.1	36.80	37.50	5600	7500	0.480
3208	40 1.5748	80 3.1496	30.2 1.1889	1.1	42.00	43.90	5000	6700	0.650
3209	45 1.7416	85 3.3464	30.2 1.1889	1.1	45.40	51.40	4600	6100	0.710
3210	50 1.9686	90 3.5433	30.2 1.1889	1.1	45.10	52.10	4300	5700	0.760
3211	55 2.1653	100 3.9370	33.3 1.3110	1.5	50.90	60.20	3900	5100	1.050
3212	60 2.3622	110 4.3307	36.5 1.4370	1.5	64.00	76.80	3500	4700	1.400
3213	65 2.559	120 4.7244	38.1 1.5	1.5	76.40	97.40	3200	4300	1.750
3214	70 2.7559	125 4.9512	39.7 1.5629	1.5	77.90	96.40	3100	4100	1.920
3215	75 2.9527	130 5.1181	41.3 1.6259	1.5	92.40	120.00	2900	3900	2.100
3216	80 3.1496	140 5.5118	44.4 1.7480	2.0	97.50	121.00	2700	3600	2.640
3217	85 3.3464	150 5.9055	49.2 1.937	2.0	114.00	143.00	2500	3400	3.390
3218	90 3.5433	160 6.2992	52.4 2.0629	2.0	132.00	167.00	2400	3100	4.140

DOUBLE ROW ANGULAR CONTACT BALL BEARINGS



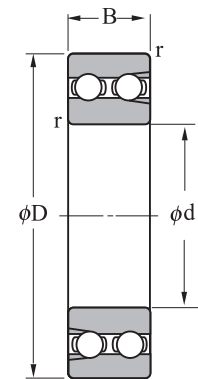
3300 Series

Bearing Number	Nominal Dimension mm (in)				Load Rating (kN)		Limiting Speed (RPM)		Weight Kg
					Dynamic C	Static Co	Grease Lube	Oil Lube	
	d	D	B	r					
3302	15 0.5905	42 1.6535	19.0 0.7480	1.0	15.20	11.90	10000	14000	0.132
3303	17 0.6692	47 1.8503	22.2 0.8740	1.0	21.70	17.10	9400	13000	0.192
3304	20 0.7874	52 2.0472	22.2 0.8740	1.1	20.80	18.40	8200	11000	0.230
3305	25 0.9842	62 2.4409	25.4 1	1.1	28.90	26.50	6800	9100	0.369
3306	30 1.1812	72 2.8346	30.2 1.1889	1.1	38.10	36.10	5800	7800	0.585
3307	35 1.3779	80 3.1496	34.9 1.3740	1.5	48.60	46.80	5200	7000	0.816
3308	40 1.5748	90 3.5433	36.5 1.4370	1.5	54.10	53.80	4600	6100	1.070
3309	45 1.7416	100 3.937	39.7 1.5629	1.5	66.10	67.30	4100	5500	1.420
3310	50 1.9686	110 4.3307	44.4 1.7480	2.0	86.10	88.60	3800	5000	1.950
3311	55 2.1653	120 4.7244	49.2 1.937	2.0	101.00	106.00	3400	4500	2.530
3312	60 2.3622	130 5.1181	54.0 2.1259	2.1	125.00	132.00	3100	4200	3.240
3313	65 2.559	140 5.5118	58.7 2.3110	2.1	142.00	153.00	2900	3900	4.080
3314	70 2.7559	150 5.9055	63.5 2.5	2.1	151.00	160.00	2700	3600	5.040
3315	75 2.9527	160 6.2992	68.3 2.6889	2.1	169.00	189.00	2500	3300	6.160
3316	80 3.1496	170 6.6929	68.3 2.6889	2.1	184.00	213.00	2400	3100	6.930
3317	85 3.3464	180 7.0866	73.0 2.8740	3.0	188.00	219.00	2200	3000	8.300
3318	90 3.5433	190 7.4803	73.0 2.874	3.0	205.00	242.00	2100	2800	9.230



4200 Series

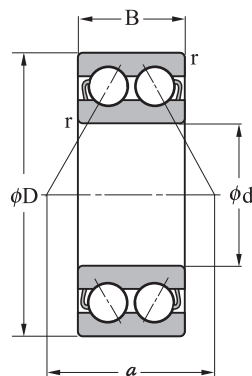
Bearing Number	Nominal Dimension mm (in)				Load Rating (kN)		Limiting Speed (RPM)		Weight Kg
					Dynamic C	Static Co	Grease Lube	Oil Lube	
	d	D	B	r					
4200	10 0.3937	30 1.1811	14 0.5511	0.6	7.7	5.9	15000	20000	0.057
4201	12 0.4724	32 1.2598	14 0.5511	0.6	7.75	6.15	14000	18000	0.062
4202	15 0.5905	35 1.3779	14 0.5511	0.6	9.75	9.0	12000	16000	0.071
4203	17 0.6692	40 1.5748	16 0.6299	0.6	11.7	10.4	11000	14000	0.106
4204	20 0.7874	47 1.8503	18 0.7086	1.0	16.4	16.0	9000	12000	0.165
4205	25 0.9842	52 2.0472	18 0.7086	1.0	16.3	16.9	7500	9900	0.189
4206	30 1.1812	62 2.4409	20 0.7874	1.0	22	24.7	6400	8500	0.298
4207	35 1.3779	72 2.8346	23 0.9055	1.1	26.4	30.7	5600	7400	0.460
4208	40 1.5748	80 3.1496	23 0.9055	1.1	33.7	42.4	4700	6300	0.558
4209	45 1.7416	85 3.3464	23 0.9055	1.1	31.9	43.9	4600	6100	0.605
4210	50 1.9686	90 3.5433	23 0.9055	1.1	31.4	44.6	4200	5600	0.651
4211	55 2.1653	100 3.9370	25 0.9842	1.5	37.2	54.1	3800	5000	0.882
4212	60 2.3622	110 4.3307	28 1.1023	1.5	47.9	67.6	3500	4700	1.20
4213	65 2.559	120 4.7244	31 1.2204	1.5	54.7	78.5	3200	4300	1.59
4214	70 2.7559	125 4.9512	31 1.2204	1.5	62.1	89.8	3100	4100	1.68
4215	75 2.9527	130 5.1181	31 1.2204	1.5	61.6	90.7	2900	3900	1.77



4300 Series

Bearing Number	Nominal Dimension mm (in)				Load Rating (kN)		Limiting Speed (RPM)		Weight Kg
					Dynamic C	Static Co	Grease Lube	Oil Lube	
	d	D	B	r					
4302	15 0.5905	42 1.6535	17 0.6692	1.0	13.1	11.7	11000	14000	0.123
4303	17 0.6692	47 1.8503	19 0.7480	1.0	16.5	15.0	9400	13000	0.171
4304	20 0.7874	52 2.0472	21 0.8267	1.1	19.5	17.0	8300	11000	0.227
4305	25 0.9842	62 2.4409	24 0.9448	1.1	26.3	25.7	6700	9000	0.365
4306	30 1.1812	72 2.8346	27 1.0629	1.1	35.5	35.9	5700	7600	0.542
4307	35 1.3779	80 3.1496	31 1.2204	1.5	40.6	41.8	5200	7000	0.752
4308	40 1.5748	90 3.5433	33 1.2992	1.5	46.0	48.8	4600	6100	1.01
4309	45 1.7416	100 3.937	36 1.4173	1.5	57.6	62.4	4100	5500	1.35
4310	50 1.9686	110 4.3307	40 1.5748	2.0	70.4	77.7	3700	5000	1.80
4311	55 2.1653	120 4.7244	43 1.6929	2.0	84.2	94.4	3400	4600	2.29
4312	60 2.3622	130 5.1181	46 1.8110	2.1	99.2	113.0	3100	4200	2.87
4313	65 2.559	140 5.5118	48 1.8897	2.1	107.0	124.0	2900	3900	3.46
4314	70 2.7559	150 5.9055	51 2.0078	2.1	115.0	136.0	2700	3600	4.21
4315	75 2.9527	160 6.2992	55 2.1653	2.1	132.0	158.0	2500	3400	5.15

DOUBLE ROW ANGULAR CONTACT BALL BEARINGS



Principal dimensions mm (in)				Weight kg (lb)	Bearing Number	Basic Load Rating kN (lbf)		Limiting Speed (rpm)	
d	D	B	r _{min}			Dynamic C _r	Static Cor	Grease	Oil
10 0.3937	30 1.1811	14.3 0.5629	0.6 0.0236	0.049 0.108	5200	6.95 1560	3.8 860	14000	19000
12 0.4724	32 1.2598	15.9 0.6259	0.6 0.0236	0.057 0.126	5201	9.15 2060	5.05 1140	13000	17000
15 0.5905	35 1.3779	15.9 0.6259	0.6 0.0236	0.064 0.141	5202	10 2250	6.05 1360	11000	15000
	42 1.6535	19 0.7480	1 0.0393	0.132 0.291	5302	17.2 3870	10.1 2270	9900	13000
17 0.6692	40 1.5748	17.5 0.6889	0.6 0.0236	0.096 0.212	5203	12.8 2880	7.9 1780	9900	13000
	47 1.8503	22.2 0.8740	1 0.0393	0.181 0.399	5303	20.4 4590	12.1 2730	9000	12000
20 0.7874	47 1.8503	20.6 0.8110	1 0.0393	0.153 0.337	5204	19 4280	12.1 2730	8800	12000
	52 2.0472	22.2 0.8740	1.1 0.0433	0.217 0.478	5304	20.6 4640	12.70 2860	8000	11000
25 0.9842	52 2.0472	20.6 0.8110	1 0.0393	0.175 0.386	5205	20.6 4640	14.3 3220	7300	9800
	62 2.4409	25.4 1.0000	1.1 0.0433	0.362 0.798	5305	30.5 6860	20.5 4610	6700	8900
30 1.1811	62 2.4409	23.8 0.9370	1 0.0393	0.286 0.631	5206	28.6 6440	20.4 4590	6300	8400
	72 2.8346	30.2 1.1889	1.1 0.0433	0.553 1.219	5306	39.50 8890	27.5 6190	5700	7600
35 1.3779	72 2.8346	27 1.0629	1.1 0.0433	0.436 0.961	5207	38 8550	27.8 6260	5500	7400
	80 3.1496	34.9 1.3740	1.5 0.0590	0.766 1.689	5307	49.5 11140	35 7880	5000	6600
40 1.5748	80 3.1496	30.2 1.1889	1.1 0.0433	0.59 1.301	5208	42.5 9560	32.5 7310	4900	6600
	90 3.5433	36.5 1.4370	1.5 0.0590	1.01 2.227	5308	60.5 13610	44 9900	4400	5900
45 1.7716	85 3.3464	30.2 1.1889	1.1 0.0433	0.64 1.411	5209	48 10800	37 8330	4400	5900
	100 3.9370	39.7 1.5629	1.5 0.0590	1.34 2.955	5309	72.5 16310	54 12150	4000	5300
50 1.9685	90 3.5433	30.2 1.1889	1.1 0.0433	0.689 1.519	5210	51 11480	42 9450	4000	5300
	110 4.3307	44.4 1.7480	2 0.0787	1.81 3.991	5310	85.5 19240	64.5 14510	3600	4800
55 2.1653	100 3.9370	33.3 1.3110	1.5 0.0590	0.986 2.174	5211	63 14180	53 11930	3600	4900
	120 3.9370	49.2 1.9370	2 0.0787	2.32 5.116	5311	106 23850	82 18450	3300	4400
60 2.3622	110 4.3307	36.5 1.4370	1.5 0.0590	1.27 2.800	5212	71.5 16090	58.5 13160	3400	4500
	130 5.1181	54 2.1259	2.1 0.0826	3.05 6.725	5312	122 27450	95.5 21490	3000	4000
65 2.5590	120 3.9370	38.1 1.5000	1.5 0.0590	1.57 3.462	5213	83.5 18790	72.5 16310	3100	4200
	140 5.5118	58.7 2.3110	2.1 0.0826	3.96 8.732	5313	138 31050	109 24530	2800	3700
70 2.7559	125 4.9212	39.7 1.5629	1.5 0.0590	1.8 3.969	5214	90.5 20360	79.5 17890	2900	3900
	150 5.9055	63.5 2.5000	2.1 0.0826	4.74 10.452	5314	155 34880	125 28130	2600	3500
75 2.9527	130 5.1181	41.3 1.6259	1.5 0.0590	1.9 4.190	5215	90 20250	80.5 18110	2700	3600
	160 6.2992	68.3 2.6889	2.1 0.0826	5.65 12.458	5315	168 37800	141 31730	2400	3200
80 3.1496	140 5.5118	44.4 1.7480	2 0.0787	2.39 5.270	5216	106 23850	95.5 21490	2500	3400
85 3.3464	150 5.9055	49.2 1.9370	2 0.0787	3.06 6.747	5217	112 25200	106 23850	2400	3200
90 3.5433	160 6.2992	52.4 2.0629	2 0.0787	3.73 8.225	5218	140 31500	129 29030	2200	3000
95 3.7401	170 6.6929	55.6 2.1889	2.1 0.0826	4.86 10.716	5219	159 35780	148 33300	2100	2800
100 3.9370	180 7.0866	60.3 2.3740	2.1 0.0826	5.94 13.098	5220	178 40050	167 37580	2000	2700