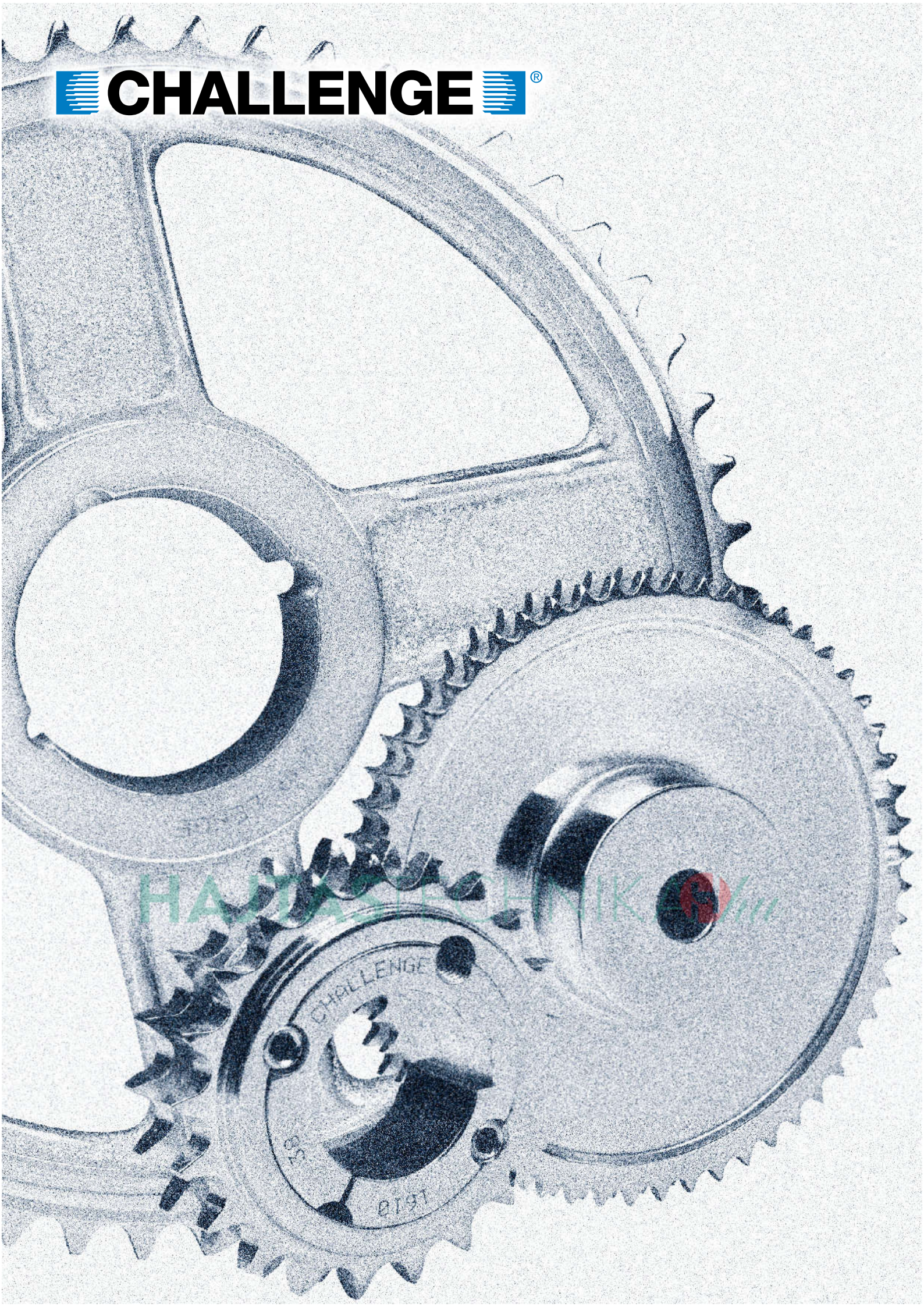


CHALLENGE®



HARTMANN & KONIG

CHALLENGE

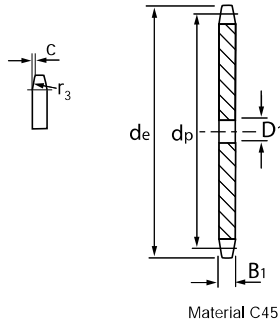
0191

Plate Wheels

BS Pilot Bore Plate Wheels

03B 5 x 2.5 mm

SPROCKET	mm	CHAIN	mm
Tooth Radius r_3	5.0	Pitch	5.000
Chamfer c	0.6	Width Between Inner Plates	2.500
Tooth Width B_1	2.3	Roller Diameter	3.200



Teeth	Outer Dia d_e	Pitch Dia d_p	Simplex Stock Bore D_1
8	15.2	13.06	4
9	16.8	14.62	4
10	18.3	16.18	4
11	19.9	17.75	5
12	21.5	19.32	5
13	23.0	20.89	5
14	24.6	22.47	5
15	26.2	24.04	5
16	27.8	25.63	6
17	29.4	27.20	6
18	30.9	28.79	6
19	32.5	30.38	6
20	34.1	31.96	6
21	35.7	33.54	8
22	37.3	35.13	8
23	38.9	36.72	8
24	40.5	38.30	8
25	42.0	39.89	8
26	43.6	41.48	8
27	45.2	43.07	8
28	46.8	44.65	8
29	48.4	46.25	8
30	50.0	47.83	8
31	51.5	49.42	8
32	53.2	51.01	8
33	54.8	52.60	8
34	56.3	54.19	8
35	57.9	55.78	8
36	59.5	57.37	8
37	61.1	58.96	8
38	62.7	60.54	8
39	64.3	62.13	8
40	65.9	63.73	8
41	67.5	65.31	8
42	69.1	66.91	8
43	70.6	68.49	8

Teeth	Outer Dia d_e	Pitch Dia d_p	Simplex Stock Bore D_1
44	72.2	70.09	8
45	73.8	71.68	8
46	75.4	73.27	8
47	77.0	74.86	8
48	78.6	76.45	8
49	80.2	78.03	8
50	81.8	79.63	8
51	83.4	81.22	10
52	85.0	82.81	10
53	86.6	84.40	10
54	88.1	85.97	10
55	89.7	87.58	10
56	91.3	89.17	10
57	92.9	90.76	10
58	94.5	92.35	10
59	96.1	93.94	10
60	97.7	95.53	10
62	100.9	98.72	12
64	104.1	101.90	12
65	105.6	103.49	12
66	107.2	105.08	12
68	110.4	108.26	12
70	113.6	111.44	12
72	116.8	114.63	12
75	121.6	119.40	12
76	123.1	120.99	12
80	129.5	127.35	12
85	137.5	135.31	14
90	145.4	143.27	14
95	153.4	151.22	14
100	161.3	159.18	14
110	177.2	175.09	14
114	183.6	181.49	14
120	193.2	191.01	14
125	201.1	198.96	14

Plate Wheels

BS Pilot Bore Plate Wheels

04B 6 x 2.8 mm

SPROCKET		mm	CHAIN		mm
Tooth Radius r_3	6.0		Pitch	6.000	
Chamfer c	0.7		Width Between Inner Plates	2.800	
Tooth Width B1	2.6		Roller Diameter	4.000	

Material C45

Teeth	Outer Dia de	Pitch Dia dp	Simplex Stock Bore D1
8	18.0	15.67	5
9	19.9	17.54	5
10	21.7	19.42	6
11	23.7	21.30	6
12	25.4	23.18	6
13	27.3	25.05	8
14	29.2	26.96	8
15	31.1	28.86	8
16	33.0	30.76	8
17	35.0	32.65	8
18	36.9	34.55	8
19	38.8	36.44	8
20	40.7	38.34	8
21	42.6	40.25	8
22	44.5	42.16	8
23	46.4	44.06	8
24	48.3	45.96	8
25	50.2	47.87	8
26	52.1	49.77	10
27	54.0	51.67	10
28	55.9	53.58	10
29	57.8	55.50	10
30	59.8	57.42	10
31	61.7	59.31	10
32	63.6	61.21	10
33	65.5	63.11	10
34	67.4	65.02	10
35	69.3	66.93	10
36	71.2	68.84	10
37	73.1	70.75	10
38	75.0	72.66	10
39	76.9	74.56	10
40	78.9	76.47	10
41	80.8	78.38	12
42	82.7	80.28	12
43	84.7	82.19	12

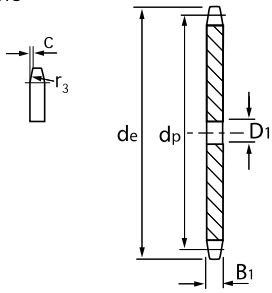
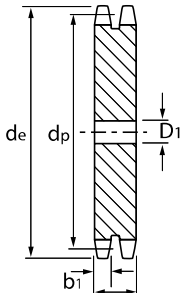
Teeth	Outer Dia de	Pitch Dia dp	Simplex Stock Bore D1
44	86.6	84.10	12
45	88.5	86.01	12
46	90.4	87.92	12
47	92.3	89.83	12
48	94.2	91.74	12
49	96.1	93.64	12
50	98.0	95.55	12
51	99.9	97.47	12
52	101.8	99.37	12
53	103.7	101.27	12
54	105.6	103.17	12
55	107.6	105.08	12
56	109.5	107.00	12
57	111.4	108.93	12
58	113.3	110.82	12
59	115.2	112.71	12
60	117.1	114.62	12
62	120.9	118.45	16
64	124.7	122.27	16
65	126.6	124.18	16
66	128.5	126.09	16
68	132.4	129.91	16
70	136.2	133.73	16
72	140.0	137.55	16
75	145.7	143.28	16
76	147.6	145.19	16
80	155.3	152.82	16
85	164.8	162.37	16
90	174.4	171.92	16
95	183.9	181.47	16
100	193.5	191.01	16
110	211.6	210.11	16
114	220.2	217.75	16
120	231.7	229.20	16
125	241.2	238.75	16

Every effort has been taken to ensure that the data listed in this catalogue is correct. Challenge accepts no liability for any inaccuracies or damage caused. All dimensions in millimetres unless otherwise stated.

Plate Wheels

BS Pilot Bore Plate Wheels

05B		8 x 3 mm	
SPROCKET	mm	CHAIN	mm
Tooth Radius r_3	8.0	Pitch	8.000
Chamfer c	1.0	Width Between Inner Plates	3.000
Tooth Width b_1	2.7	Roller Diameter	5.000
Tooth Width B1	2.8		
Tooth width B2	8.3		

Teeth	Outer Dia d_e	Pitch Dia d_p	Simplex	Duplex
			Stock Bore D1	Stock Bore D1
8	24.0	20.90	6	8
9	26.6	23.39	6	8
10	29.2	25.89	8	8
11	31.7	28.39	8	8
12	34.2	30.91	8	8
13	36.7	33.42	8	8
14	39.2	35.95	8	8
15	41.7	38.48	8	8
16	44.3	41.01	8	10
17	46.8	43.53	8	10
18	49.3	46.07	8	10
19	51.9	48.61	8	10
20	54.4	51.14	8	10
21	57.0	53.67	8	10
22	59.5	56.21	8	10
23	62.0	58.75	8	10
24	64.6	61.29	8	10
25	67.5	63.83	8	10
26	69.5	66.37	10	12
27	72.2	68.91	10	12
28	74.8	71.45	10	12
29	77.3	73.99	10	12
30	79.8	76.53	10	12
31	82.4	79.08	10	12
32	84.9	81.61	10	12
33	87.5	84.16	10	12
34	90.0	86.70	10	12
35	92.5	89.24	10	12
36	95.0	91.79	10	12
37	97.6	94.33	10	12
38	100.2	96.88	10	12
39	102.7	99.42	10	12
40	105.3	101.97	10	12
41	107.8	104.51	12	14
42	110.4	107.05	12	14
43	112.9	109.60	12	14

Teeth	Outer Dia d_e	Pitch Dia d_p	Simplex	Duplex
			Stock Bore D1	Stock Bore D1
44	115.5	112.14	12	14
45	118.0	114.69	12	14
46	120.6	117.23	12	14
47	123.1	119.77	12	14
48	125.6	122.32	12	14
49	128.2	124.89	12	14
50	130.7	127.41	12	14
51	133.3	129.95	14	16
52	135.8	132.49	14	16
53	138.4	135.04	14	16
54	140.9	137.59	14	16
55	143.5	140.13	14	16
56	146.0	142.68	14	16
57	148.6	145.22	14	16
58	151.0	147.77	14	16
59	153.6	150.31	14	16
60	156.2	152.85	14	16
62	162.0	157.95	16	20
64	167.1	163.04	16	20
65	169.2	165.58	16	20
66	172.2	168.13	16	20
68	177.3	173.22	16	20
70	182.4	178.31	16	20
72	187.5	183.41	20	20
75	195.1	191.04	20	20
76	197.7	193.59	20	20
78	202.8	198.68	-	20
80	207.9	203.77	20	20
85	220.6	216.50	20	20
90	233.4	229.23	20	20
95	246.1	241.96	20	20
100	258.9	254.68	20	-
110	284.3	280.15	20	-
114	294.5	290.33	20	20
120	310.0	305.61	20	-
125	322.5	318.34	20	-

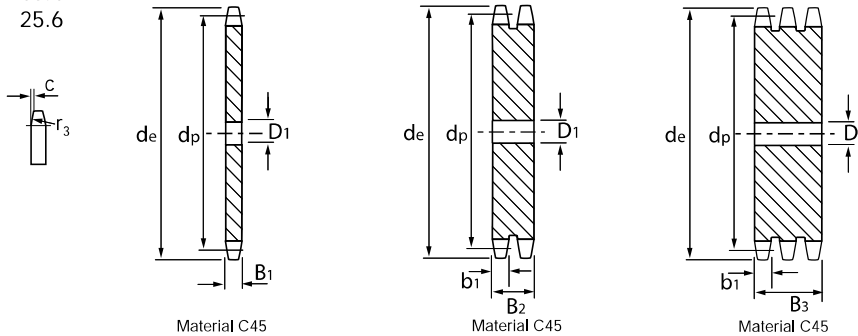
All dimensions in millimetres unless otherwise stated. Every effort has been taken to ensure that the data listed in this catalogue is correct. Challenge accepts no liability for any inaccuracies or damage caused.

Plate Wheels

BS Pilot Bore Plate Wheels

06B 3/8" x 7/32"

SPROCKET		CHAIN	
	mm		mm
Tooth Radius r_3	10.0	Pitch	9.525
Chamfer c	1.0	Width Between Inner Plates	5.720
Tooth Width b_1	5.2	Roller Diameter	6.350
Tooth Width B_1	5.3		
Tooth Width B_2	15.4		
Tooth Width B_3	25.6		



Teeth	Outer Dia de	Pitch Dia dp	Simplex Stock Bore D1	Duplex Stock Bore D1	Triplex Stock Bore D1
8	28.0	24.89	6	8	8
9	31.0	27.85	7	8	8
10	34.0	30.82	7	8	10
11	37.0	33.80	8	10	12
12	40.0	36.80	8	10	12
13	43.0	39.80	8	10	12
14	46.3	42.80	8	10	12
15	49.3	45.81	8	10	12
16	52.3	48.82	10	12	12
17	55.3	51.83	10	12	12
18	58.3	54.85	10	12	12
19	61.3	57.87	10	12	12
20	64.3	60.89	10	12	12
21	68.0	63.91	12	12	16
22	71.0	66.93	12	12	16
23	73.5	69.95	12	12	16
24	77.0	72.97	12	12	16
25	80.0	76.00	12	12	16
26	83.0	79.02	12	16	16
27	86.0	82.04	12	16	16
28	89.0	85.07	12	16	16
29	92.0	88.09	12	16	16
30	94.7	91.12	12	16	16
31	98.3	94.15	16	16	16
32	101.3	97.17	16	16	16
33	104.3	100.20	16	16	16
34	107.3	103.23	16	16	16
35	110.4	106.26	16	16	16
36	113.4	109.29	16	16	20
37	116.4	112.32	16	16	20
38	119.5	115.35	16	16	20
39	122.5	118.37	16	16	20
40	125.5	121.40	16	16	20
41	128.5	124.43	16	20	20
42	131.6	127.46	16	20	20
43	134.6	130.49	16	20	20

Teeth	Outer Dia de	Pitch Dia dp	Simplex Stock Bore D1	Duplex Stock Bore D1	Triplex Stock Bore D1
44	137.6	133.52	16	20	20
45	140.7	136.54	16	20	20
46	143.7	139.58	20	20	20
47	146.7	142.61	20	20	20
48	149.7	145.64	20	20	20
49	152.7	148.66	20	20	20
50	155.7	151.69	20	20	20
51	158.7	154.72	20	20	20
52	161.8	157.75	20	20	20
53	164.8	160.78	20	20	20
54	167.8	163.82	20	20	20
55	170.8	166.85	20	20	20
56	173.8	169.88	20	20	25
57	176.9	172.91	20	20	25
58	179.9	175.93	20	20	25
59	183.0	178.96	20	20	25
60	186.0	181.99	20	20	25
62	192.1	188.06	20	25	25
64	198.2	194.12	20	25	25
65	201.6	197.15	20	25	25
66	204.6	200.18	20	25	25
68	210.7	206.24	20	25	25
70	216.7	212.30	20	25	25
72	222.8	218.37	20	25	25
75	231.9	227.46	20	25	25
76	234.9	230.49	20	25	25
78	241.0	236.55	-	25	25
80	247.1	242.61	20	25	25
85	262.2	257.77	25	25	25
90	277.4	272.93	25	25	25
95	292.5	288.08	25	25	25
100	307.7	303.25	25	25	25
110	338.0	333.55	25	25	25
114	349.5	345.68	25	25	25
120	368.3	363.86	25	25	25
125	383.5	379.02	25	25	25

Every effort has been taken to ensure that the data listed in this catalogue is correct. Challenge accepts no liability for any inaccuracies or damage caused. All dimensions in millimetres unless otherwise stated.

Plate Wheels

BS Pilot Bore Plate Wheels

081
1/2" x 1/8"

SPROCKET		mm	CHAIN		mm
Tooth Radius r_3		13.0	Pitch		12.700
Chamfer c		1.3	Width Between Inner Plates		3.300
Tooth Width B_1		3.0	Roller Diameter		7.750

Material C45

Teeth	Outer Dia d_e	Pitch Dia d_p	Simplex Stock Bore D_1
8	37.2	33.18	8
9	41.5	37.13	8
10	46.2	41.10	8
11	49.6	45.07	8
12	53.9	49.07	8
13	58.4	53.06	8
14	62.8	57.07	8
15	66.8	61.09	8
16	70.9	65.10	10
17	74.9	69.11	10
18	78.9	73.14	10
19	82.9	77.16	10
20	86.9	81.19	10
21	91.0	85.22	10
22	95.0	89.24	10
23	99.0	93.27	10
24	103.0	97.29	10
25	107.1	101.33	10
26	111.2	105.36	12
27	115.4	109.40	12
28	119.4	113.42	12
29	123.4	117.46	12
30	127.5	121.50	12
31	131.5	125.54	12
32	135.5	129.56	12
33	139.6	133.60	12
34	143.6	137.64	12
35	147.6	141.68	12
36	151.7	145.72	16
37	155.7	149.76	16
38	159.8	153.80	16
39	163.8	157.83	16
40	167.8	161.87	16
41	171.4	165.91	16
42	175.4	169.95	16

Teeth	Outer Dia d_e	Pitch Dia d_p	Simplex Stock Bore D_1
43	179.5	173.99	16
44	183.5	178.03	16
45	187.5	182.07	16
46	191.6	186.10	20
47	195.6	190.14	20
48	199.7	194.18	20
49	203.7	198.22	20
50	207.8	202.26	20
51	211.8	206.30	20
52	215.9	210.34	20
53	219.9	214.37	20
54	224.0	218.43	20
55	228.0	222.46	20
56	232.1	226.50	20
57	236.1	230.54	20
58	240.2	234.58	20
59	244.2	238.62	20
60	248.2	242.66	20
62	256.7	250.75	20
64	264.8	258.82	20
65	268.8	262.86	20
66	272.9	266.90	25
68	280.9	274.99	25
70	289.0	283.07	25
72	297.1	291.16	25
75	309.2	303.27	25
76	313.3	307.33	25
78	321.4	315.40	25
80	329.4	323.48	25
85	349.7	343.70	25
90	369.9	363.90	25
100	410.3	404.31	25
114	466.9	460.90	25
120	491.2	485.16	25
125	511.4	505.37	25

All dimensions in millimetres unless otherwise stated. Every effort has been taken to ensure that the data listed in this catalogue is correct. Challenge accepts no liability for any inaccuracies or damage caused.

Plate Wheels

BS Pilot Bore Plate Wheels

083 / 084 1/2" x 3/16"

SPROCKET		mm	CHAIN		mm
Tooth Radius r_3		13.0	Pitch		12.700
Chamfer c		1.3	Width Between Inner Plates		4.880
Tooth Width BI		4.5	Roller Diameter		7.750

Material C45

Teeth	Outer Dia de	Pitch Dia dp	Simplex Stock Bore D1
8	38.5	33.18	8
9	41.5	37.18	8
10	46.2	41.10	8
11	49.6	45.07	8
12	53.9	49.07	8
13	58.4	53.06	8
14	62.8	57.07	8
15	66.8	61.09	8
16	70.9	65.10	8
17	74.9	69.11	8
18	78.9	73.14	8
19	82.9	77.16	8
20	86.9	81.19	8
21	91.0	85.22	8
22	95.0	89.24	8
23	99.0	93.27	8
24	103.0	97.29	8
25	107.1	101.33	8
26	111.2	105.36	8
27	115.4	109.40	8
28	119.4	113.42	8
29	123.4	117.46	8
30	127.5	121.50	8
31	131.5	125.54	8
32	135.5	129.56	8
33	139.6	133.60	8
34	143.6	137.64	8
35	147.6	141.68	8
36	151.7	145.72	8
37	155.7	149.76	8
38	159.8	153.80	8
39	163.8	157.83	8
40	167.8	161.87	8
41	171.4	165.91	8
42	175.4	169.95	16

Teeth	Outer Dia de	Pitch Dia dp	Simplex Stock Bore D1
43	179.5	173.99	16
44	183.5	178.03	16
45	187.5	182.07	16
46	191.6	186.10	16
47	195.6	190.14	16
48	199.7	194.18	16
49	203.7	198.22	16
50	207.8	202.26	16
51	211.8	206.30	16
52	215.9	210.34	16
53	219.9	214.37	16
54	224.0	218.43	16
55	228.0	222.46	16
56	232.1	226.50	16
57	236.1	230.54	16
58	240.2	234.58	16
59	244.2	238.62	16
60	248.2	242.66	16
62	256.7	250.75	16
64	264.8	258.82	16
65	268.8	262.86	16
66	272.9	266.90	16
68	280.9	274.99	16
70	289.0	283.07	16
75	309.2	303.27	16
72	297.1	291.16	16
76	313.3	307.33	16
78	321.4	315.40	16
80	329.4	323.48	16
85	349.7	343.70	16
90	369.9	363.90	-
95	390.1	384.11	25
100	410.3	404.31	25
110	450.7	444.74	25
114	466.9	460.90	-
120	491.2	485.16	25
125	511.4	505.37	-

Every effort has been taken to ensure that the data listed in this catalogue is correct. Challenge accepts no liability for any inaccuracies or damage caused. All dimensions in millimetres unless otherwise stated.

Plate Wheels

BS Pilot Bore Plate Wheels

085 **1/2" x 1/4"**

SPROCKET		mm	CHAIN		mm
Tooth Radius r3		13.0	Pitch		12.700
Chamfer c		1.3	Width Between Inner Plates		6.400
Tooth Width B1		5.9	Roller Diameter		7.750

Material C45

Teeth	Outer Dia de	Pitch Dia dp	Simplex Stock Bore D1
8	38.5	33.18	8
9	41.5	37.18	8
10	46.2	41.10	8
11	49.6	45.07	8
12	53.9	49.07	8
13	58.4	53.06	8
14	62.8	57.07	8
15	66.8	61.09	8
16	70.9	65.10	10
17	74.9	69.11	10
18	78.9	73.14	10
19	82.9	77.16	10
20	86.9	81.19	10
21	91.0	85.22	10
22	95.0	89.24	10
23	99.0	93.27	10
24	103.0	97.29	10
25	107.1	101.33	10
26	111.2	105.36	12
27	115.4	109.40	12
28	119.4	113.42	12
29	123.4	117.46	12
30	127.5	121.50	12
31	131.5	125.54	12
32	135.5	129.56	12
33	139.6	133.60	12
34	143.6	137.64	12
35	147.6	141.68	12
36	151.7	145.72	16
37	155.7	149.76	16
38	159.8	153.80	16
39	163.8	157.83	16
40	167.8	161.87	16
41	171.4	165.91	16
42	175.4	169.95	16

Teeth	Outer Dia de	Pitch Dia dp	Simplex Stock Bore D1
43	179.5	173.99	16
44	183.5	178.03	16
45	187.5	182.07	16
46	191.6	186.10	20
47	195.6	190.14	20
48	199.7	194.18	20
49	203.7	198.22	20
50	207.8	202.26	20
51	211.8	206.30	20
52	215.9	210.34	20
53	219.9	214.37	20
54	224.0	218.43	20
55	228.0	222.46	20
56	232.1	226.50	20
57	236.1	230.54	20
58	240.2	234.58	20
59	244.2	238.62	20
60	248.2	242.66	20
62	256.7	250.75	20
64	264.8	258.82	20
65	268.8	262.86	20
66	272.9	266.90	25
68	280.9	274.99	25
70	289.0	283.07	25
72	297.1	291.16	25
75	309.2	303.27	25
76	313.3	307.33	25
78	321.4	315.40	25
80	329.4	323.48	25

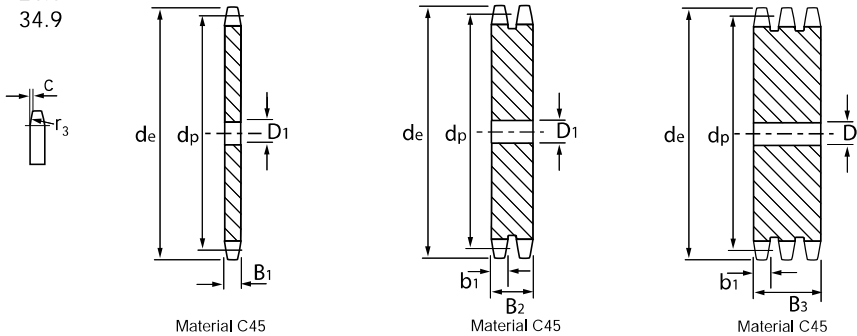
All dimensions in millimetres unless otherwise stated. Every effort has been taken to ensure that the data listed in this catalogue is correct. Challenge accepts no liability for any inaccuracies or damage caused.

Plate Wheels

BS Pilot Bore Plate Wheels

08B 1/2" x 5/16"

SPROCKET		CHAIN	
	mm		mm
Tooth Radius r3	13.0	Pitch	12.700
Chamfer c	1.3	Width Between Inner Plates	7.750
Tooth Width b1	7.0	Roller Diameter	8.510
Tooth Width B1	7.2		
Tooth Width B2	21.0		
Tooth Width B3	34.9		



Teeth	Outer Dia de	Pitch Dia dp	Simplex Stock Bore D1	Duplex Stock Bore D1	Triplex Stock Bore D1
8	37.2	33.18	8	10	10
9	41.0	37.13	8	10	10
10	45.2	41.10	8	10	10
11	48.7	45.07	10	10	12
12	53.0	49.07	10	10	12
13	57.4	53.06	10	10	12
14	61.8	57.07	10	10	12
15	65.5	61.09	10	10	12
16	69.5	65.10	10	12	16
17	73.6	69.11	10	12	16
18	77.8	73.14	10	12	16
19	81.7	77.16	10	12	16
20	85.8	81.19	10	12	16
21	89.7	85.22	12	16	16
22	93.8	89.24	12	16	16
23	98.2	93.27	12	16	16
24	101.8	97.29	12	16	16
25	105.8	101.33	12	16	16
26	110.0	105.36	16	16	16
27	114.0	109.40	16	16	16
28	118.0	113.42	16	16	16
29	122.0	117.46	16	16	16
30	126.1	121.50	16	16	16
31	130.2	125.54	16	16	20
32	134.3	129.56	16	16	20
33	138.4	133.60	16	16	20
34	142.6	137.64	16	16	20
35	146.7	141.68	16	16	20
36	151.0	145.72	16	20	20
37	154.6	149.76	16	20	20
38	158.6	153.80	16	20	20
39	162.7	157.83	16	20	20
40	166.8	161.87	16	20	20
41	171.4	165.91	20	20	25
42	175.4	169.95	20	20	25
43	179.7	173.99	20	20	25

Teeth	Outer Dia de	Pitch Dia dp	Simplex Stock Bore D1	Duplex Stock Bore D1	Triplex Stock Bore D1
44	183.8	178.03	20	20	25
45	188.0	182.07	20	20	25
46	192.1	186.10	20	20	25
47	196.2	190.14	20	20	25
48	200.3	194.18	20	20	25
49	204.3	198.22	20	20	25
50	208.3	202.26	20	20	25
51	212.1	206.30	20	25	25
52	216.1	210.34	20	25	25
53	220.2	214.37	20	25	25
54	224.1	218.43	20	25	25
55	228.1	222.46	20	25	25
56	232.2	226.50	20	25	25
57	236.4	230.54	20	25	25
58	240.5	234.58	20	25	-
59	244.5	238.62	20	25	-
60	248.6	242.66	20	25	25
62	256.9	250.75	25	25	25
64	265.1	258.82	25	25	25
65	269.0	262.86	25	25	25
66	273.0	266.90	25	25	25
68	281.0	274.99	25	25	25
70	289.0	283.07	25	25	25
72	297.2	291.16	25	25	25
75	309.2	303.27	25	25	25
76	313.2	307.33	25	25	25
78	321.4	315.40	25	-	-
80	329.4	323.48	25	25	25
85	349.0	343.69	25	25	25
90	369.9	363.90	25	25	25
95	390.1	384.11	25	25	25
100	410.3	404.31	25	25	25
110	450.7	444.74	25	25	-
114	466.9	460.90	25	25	25
120	491.2	485.16	25	25	25
125	511.3	505.37	25	25	25

Every effort has been taken to ensure that the data listed in this catalogue is correct. Challenge accepts no liability for any inaccuracies or damage caused. All dimensions in millimetres unless otherwise stated.

Plate Wheels

BS Pilot Bore Plate Wheels

10B		5/8" x 3/8"	
SPROCKET	mm	CHAIN	mm
Tooth Radius r_3	16.0	Pitch	15.875
Chamfer c	1.6	Width Between Inner Plates	9.650
Tooth Width b_1	9.0	Roller Diameter	10.160
Tooth Width B_1	9.1		
Tooth Width B_2	25.5		
Tooth Width B_3	42.1		

Material C45 Material C45 Material C45

Teeth	Outer Dia d_e	Pitch Dia d_p	Simplex Stock Bore D1	Duplex Stock Bore D1	Triplex Stock Bore D1
8	47.0	41.48	10	10	12
9	52.6	46.42	10	10	12
10	57.5	51.37	10	10	12
11	63.0	56.34	10	12	12
12	68.0	61.34	10	12	12
13	73.0	66.32	10	12	12
14	78.0	71.34	10	12	12
15	83.0	76.36	10	12	12
16	88.0	81.37	12	12	16
17	93.0	86.39	12	12	16
18	98.3	91.42	12	12	16
19	103.3	96.45	12	12	16
20	108.4	101.49	12	12	16
21	113.4	106.52	12	16	16
22	118.0	111.55	12	16	16
23	123.4	116.58	12	16	16
24	128.3	121.62	12	16	16
25	134.0	126.66	12	16	16
26	139.0	131.70	16	16	20
27	144.0	136.75	16	16	20
28	148.7	141.78	16	16	20
29	153.8	146.83	16	16	20
30	158.8	151.87	16	16	20
31	163.9	156.92	16	20	20
32	168.9	161.95	16	20	20
33	174.5	167.00	16	20	20
34	179.0	172.05	16	20	20
35	184.1	177.10	16	20	20
36	189.1	182.15	20	20	25
37	194.2	187.20	20	20	25
38	199.2	192.24	20	20	25
39	204.2	197.29	20	20	25
40	209.3	202.34	20	20	25
41	214.8	207.39	20	20	25
42	219.9	212.44	20	20	25
43	224.9	217.49	20	20	25

Teeth	Outer Dia d_e	Pitch Dia d_p	Simplex Stock Bore D1	Duplex Stock Bore D1	Triplex Stock Bore D1
44	230.0	222.53	20	20	25
45	235.0	227.58	20	20	25
46	240.1	232.63	20	25	25
47	245.1	237.68	20	25	25
48	250.2	242.73	20	25	25
49	255.2	247.78	20	25	25
50	260.3	252.82	20	25	25
51	265.3	257.87	20	25	-
52	270.4	262.92	20	25	25
53	275.4	267.97	20	25	25
54	280.5	273.03	20	25	-
55	285.5	278.08	20	25	25
56	290.6	283.13	25	25	-
57	296.0	288.18	25	25	25
58	300.7	293.23	25	25	-
59	305.7	298.27	25	25	-
60	310.8	303.32	25	25	25
62	321.4	313.43	25	25	-
64	331.5	323.83	25	25	30
65	336.5	328.58	25	25	30
66	341.6	333.63	25	25	-
68	351.7	343.74	25	25	30
70	361.8	353.84	25	25	30
72	371.9	363.95	25	25	30
75	387.1	379.09	25	25	30
76	392.1	384.16	25	25	-
78	402.2	394.25	25	-	30
80	412.3	404.35	25	25	30
85	437.6	429.62	30	30	30
90	462.8	454.88	30	30	30
95	488.5	480.14	30	30	30
100	513.4	505.40	30	30	30
110	563.9	555.92	-	30	30
114	584.1	576.13	-	30	30
120	614.8	606.44	-	30	-
125	639.7	631.71	-	30	-

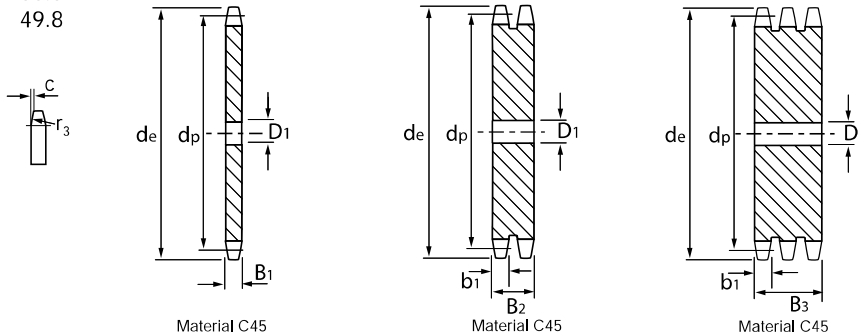
All dimensions in millimetres unless otherwise stated. Every effort has been taken to ensure that the data listed in this catalogue is correct. Challenge accepts no liability for any inaccuracies or damage caused.

Plate Wheels

BS Pilot Bore Plate Wheels

12B 3/4" x 7/16"

SPROCKET		CHAIN	
	mm		mm
Tooth Radius r_3	19.0	Pitch	19.050
Chamfer c	2.0	Width Between Inner Plates	11.680
Tooth Width b_1	10.8	Roller Diameter	12.070
Tooth Width B_1	11.1		
Tooth Width B_2	30.3		
Tooth Width B_3	49.8		



Teeth	Outer Dia d_e	Pitch Dia d_p	Simplex Stock Bore D1	Duplex Stock Bore D1	Triplex Stock Bore D1
8	57.6	49.78	12	12	12
9	62.0	55.70	12	12	12
10	69.0	61.64	12	12	12
11	75.0	67.61	14	14	16
12	81.5	73.10	14	14	16
13	87.5	79.59	14	14	16
14	93.6	85.61	14	14	16
15	99.8	91.63	14	14	16
16	105.5	97.65	14	16	16
17	111.5	103.67	14	16	16
18	118.0	109.71	14	16	16
19	124.2	115.75	14	16	16
20	129.7	121.78	14	16	16
21	136.0	127.82	16	16	20
22	141.8	133.86	16	16	20
23	149.0	139.90	16	16	20
24	153.9	145.94	16	16	20
25	160.0	152.00	16	16	20
26	165.9	158.04	16	20	20
27	172.3	164.09	16	20	20
28	178.0	170.13	16	20	20
29	184.1	176.19	16	20	20
30	190.5	182.25	16	20	20
31	196.3	188.31	20	20	25
32	203.3	194.35	20	20	25
33	209.3	200.40	20	20	25
34	214.6	206.46	20	20	25
35	221.0	212.52	20	20	25
36	226.8	218.58	20	25	25
37	232.9	224.64	20	25	25
38	239.0	230.69	20	25	25
39	245.1	236.75	20	25	25
40	251.3	242.81	20	25	25
41	257.3	248.87	25	25	25
42	264.5	254.93	25	25	25
43	270.5	260.98	25	25	25

Teeth	Outer Dia d_e	Pitch Dia d_p	Simplex Stock Bore D1	Duplex Stock Bore D1	Triplex Stock Bore D1
44	276.5	267.04	25	25	25
45	282.5	273.10	25	25	25
46	287.9	279.16	25	25	25
47	294.0	285.21	25	25	25
48	300.1	291.27	25	25	25
49	306.2	297.33	25	25	25
50	312.3	303.39	25	25	25
51	318.4	309.45	25	25	-
52	324.5	315.50	25	25	25
53	330.5	321.56	25	25	-
54	336.6	327.64	25	25	25
55	342.7	333.70	25	25	25
56	348.7	339.75	25	25	-
57	355.4	345.81	25	25	30
58	361.5	351.87	25	25	30
60	373.0	363.99	25	25	30
62	385.1	376.12	25	30	-
64	397.2	388.24	25	30	-
65	403.2	394.29	25	30	30
66	409.2	400.35	-	30	30
68	421.4	412.49	30	-	-
70	433.6	424.60	30	30	30
72	447.0	436.74	30	30	30
75	463.9	454.91	30	30	-
76	469.9	460.99	30	30	30
78	482.1	473.10	30	-	-
80	494.2	485.22	30	30	30
85	524.5	515.55	30	30	-
90	554.8	545.86	30	30	-
95	585.1	576.17	30	30	-
100	615.4	606.47	-	30	-

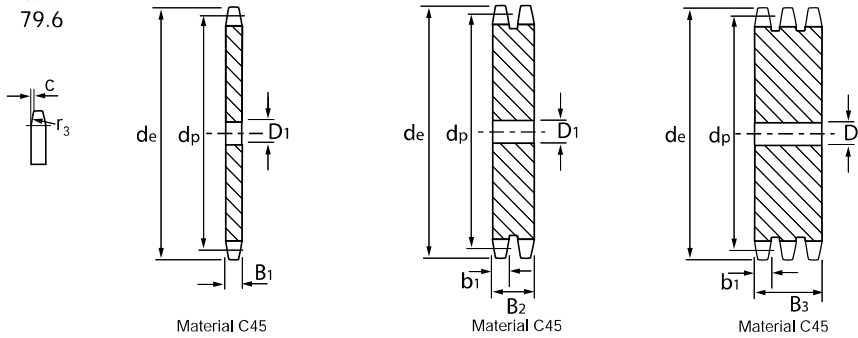
Every effort has been taken to ensure that the data listed in this catalogue is correct. Challenge accepts no liability for any inaccuracies or damage caused. All dimensions in millimetres unless otherwise stated.

Plate Wheels

BS Pilot Bore Plate Wheels

16B 1" x 17.02 mm

SPROCKET		CHAIN	
	mm		mm
Tooth Radius r_3	26.0	Pitch	25.400
Chamfer c	2.5	Width Between Inner Plates	17.020
Tooth Width b_1	15.8	Roller Diameter	15.880
Tooth Width B_1	16.2		
Tooth Width B_2	47.7		
Tooth Width B_3	79.6		



Teeth	Outer Dia d_e	Pitch Dia d_p	Simplex Stock Bore D1	Duplex Stock Bore D1	Triplex Stock Bore D1
8	77.0	66.37	12	16	20
9	85.0	74.27	12	16	20
10	93.0	82.19	12	16	20
11	99.5	90.14	16	20	20
12	109.0	98.14	16	20	20
13	117.0	106.12	16	20	20
14	125.0	114.15	16	20	20
15	133.0	122.17	16	20	20
16	141.0	130.20	20	20	30
17	149.0	138.22	20	20	30
18	157.0	146.28	20	20	30
19	165.2	154.33	20	20	30
20	173.2	162.38	20	20	30
21	181.2	170.43	20	25	30
22	189.3	178.48	20	25	30
23	197.5	186.53	20	25	30
24	205.5	194.59	20	25	30
25	213.5	202.66	20	25	30
26	221.6	210.72	20	25	30
27	229.6	218.79	20	25	30
28	237.7	226.85	20	25	30
29	245.8	234.92	20	25	30
30	254.0	243.00	20	25	30
31	262.0	251.08	25	25	30
32	270.0	259.13	25	25	30
33	278.5	267.21	25	25	30
34	287.0	275.28	25	25	30
35	296.2	283.36	25	25	30
36	304.6	291.44	25	25	30
37	312.6	299.51	25	25	30
38	320.7	307.59	25	25	30
39	328.8	315.67	25	25	30
40	336.9	323.75	25	25	30
41	345.0	331.82	25	-	-
42	353.0	339.90	25	25	30
43	361.1	347.98	25	25	-

Teeth	Outer Dia d_e	Pitch Dia d_p	Simplex Stock Bore D1	Duplex Stock Bore D1	Triplex Stock Bore D1
44	369.1	356.06	25	25	30
45	377.1	364.13	25	25	30
46	385.2	372.21	25	30	30
47	393.2	380.29	25	-	-
48	401.3	388.36	25	30	30
49	409.3	396.44	25	-	-
50	417.4	404.52	25	30	30
51	425.5	412.60	30	-	-
52	433.6	420.67	30	30	40
53	441.7	428.75	30	-	-
54	448.3	436.85	30	-	-
55	457.9	444.93	30	30	40
56	466.0	453.01	30	40	-
57	474.0	461.07	30	40	40
58	482.1	469.16	30	-	-
60	498.3	485.32	30	40	-
62	514.5	501.50	30	-	-
64	530.7	517.65	30	-	-
65	538.8	525.73	30	-	-
66	546.8	533.80	30	-	-
68	562.9	549.98	30	-	-
70	579.2	566.14	30	-	-
72	595.4	582.32	30	-	-
75	619.7	606.55	30	-	-
76	627.0	614.65	30	-	-
78	643.3	630.80	30	-	-
80	660.0	646.96	30	-	-
85	699.9	687.40	30	-	-
90	740.3	727.81	30	-	-
95	781.1	768.22	30	-	-

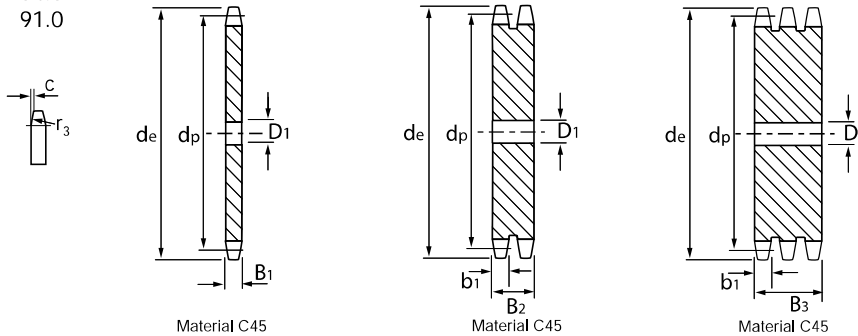
All dimensions in millimetres unless otherwise stated. Every effort has been taken to ensure that the data listed in this catalogue is correct. Challenge accepts no liability for any inaccuracies or damage caused.

Plate Wheels

BS Pilot Bore Plate Wheels

20B 1.1/4" x 19.56 mm

SPROCKET		CHAIN	
	mm		mm
Tooth Radius r3	32.0	Pitch	31.750
Chamfer c	3.5	Width Between Inner Plates	19.560
Tooth Width b1	18.2	Roller Diameter	19.050
Tooth Width B1	18.5		
Tooth Width B2	54.6		
Tooth Width B3	91.0		



Teeth	Outer Dia de	Pitch Dia dp	Simplex Stock Bore D1	Duplex Stock Bore D1	Triplex Stock Bore D1
8	98.1	82.96	16	20	20
9	108.0	92.84	16	20	20
10	117.9	102.74	16	20	20
11	127.8	112.68	20	20	25
12	137.8	122.68	20	20	25
13	147.8	132.65	20	20	25
14	157.8	142.68	20	20	25
15	167.9	152.72	20	20	25
16	177.9	162.75	20	30	30
17	187.9	172.78	20	30	30
18	198.0	182.85	20	30	30
19	208.1	192.91	20	30	30
20	218.1	202.98	20	30	30
21	228.2	213.04	25	30	30
22	238.3	223.11	25	30	30
23	248.3	233.17	25	30	30
24	258.4	243.23	25	30	30
25	268.5	253.33	25	30	30
26	278.6	263.40	30	30	30
27	288.6	273.40	30	30	30
28	298.7	283.56	30	30	30
29	308.8	293.65	30	30	-
30	318.9	303.75	30	30	30
31	329.0	313.85	30	30	-
32	339.1	323.91	30	30	30
33	349.2	334.01	30	30	30
34	359.3	344.10	30	30	30
35	369.4	354.20	30	30	30
36	379.5	364.30	30	30	30
37	389.5	374.39	30	30	30
38	399.6	384.49	30	30	30
39	409.7	394.59	30	30	-
40	419.8	404.66	30	30	30
41	429.9	414.78	30	-	-

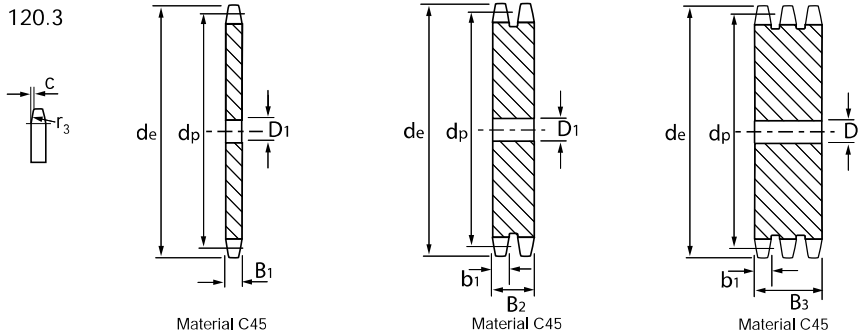
Teeth	Outer Dia de	Pitch Dia dp	Simplex Stock Bore D1	Duplex Stock Bore D1	Triplex Stock Bore D1
42	440.0	424.80	30	30	-
43	450.1	434.97	30	-	-
44	460.2	445.07	30	-	-
45	470.3	455.07	30	30	-
46	480.4	465.26	30	30	-
48	500.6	485.46	30	30	-
50	520.8	505.65	30	30	-
51	530.9	515.75	30	-	-
52	541.0	525.84	30	-	-
53	551.1	535.94	-	-	-
54	561.2	546.07	30	-	-
55	571.3	556.16	30	-	-
56	581.4	566.26	30	-	-
57	591.5	576.36	30	-	-

Plate Wheels

BS Pilot Bore Plate Wheels

24B 1.1/2" x 25.4 mm

SPROCKET		CHAIN	
	mm		mm
Tooth Radius r_3	38.0	Pitch	38.100
Chamfer c	4.0	Width Between Inner Plates	25.400
Tooth Width b_1	23.6	Roller Diameter	25.400
Tooth Width B_1	24.1		
Tooth Width B_2	72.0		
Tooth Width B_3	120.3		



Teeth	Outer Dia d_e	Pitch Dia d_p	Simplex Stock Bore D1	Duplex Stock Bore D1	Triplex Stock Bore D1
8	115.0	99.50	20	25	25
9	126.4	111.40	20	25	25
10	138.0	123.29	20	25	25
11	150.0	135.21	25	25	30
12	162.0	147.22	25	25	30
13	174.2	159.18	25	25	30
14	186.2	171.22	25	25	30
15	198.2	183.26	25	25	30
16	210.3	195.30	25	30	30
17	222.3	207.34	25	30	30
18	234.3	219.42	25	30	30
19	246.5	231.49	25	30	30
20	258.6	243.57	25	30	30
21	270.6	255.65	30	30	40
22	282.7	267.73	30	30	40
23	294.8	279.80	30	30	40
24	306.8	291.88	30	30	40
25	319.0	304.00	30	30	40
26	331.0	316.08	30	30	40
27	343.2	328.19	30	30	40
28	355.2	340.27	30	30	40
29	367.3	352.38	30	30	40
30	379.5	364.50	30	30	40
31	391.6	376.62	30	40	40
32	403.7	388.69	30	40	40
33	415.8	400.81	30	40	40
34	427.8	412.93	30	40	40
35	440.0	425.04	30	40	40
36	452.0	437.16	30	40	40
37	464.2	449.27	30	40	40
38	476.2	461.39	30	40	40
40	500.6	485.62	30	-	40

Teeth	Outer Dia d_e	Pitch Dia d_p	Simplex Stock Bore D1	Duplex Stock Bore D1	Triplex Stock Bore D1
41	512.6	497.74	30	-	-
42	524.7	509.85	30	-	-
43	536.8	521.97	30	-	-
44	549.0	534.08	30	-	-
45	561.2	546.20	30	-	-
46	573.3	558.32	30	-	-
48	597.4	582.55	30	-	-

All dimensions in millimetres unless otherwise stated. Every effort has been taken to ensure that the data listed in this catalogue is correct. Challenge accepts no liability for any inaccuracies or damage caused.

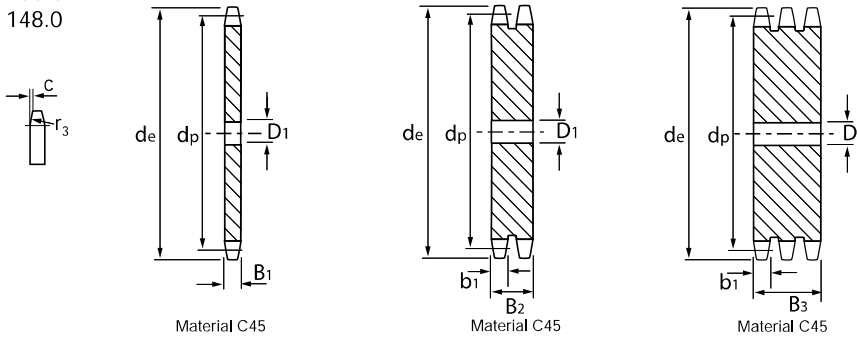
Plate Wheels

BS Pilot Bore Plate Wheels

28B 1.3/4" x 1.1/4"

SPROCKET	mm
Tooth Radius r_3	44.0
Chamfer c	5.0
Tooth Width B1	29.4
Tooth Width b1	28.8
Tooth Width B2	88.4
Tooth Width B3	148.0

CHAIN	mm
Pitch	44.450
Width Between Inner Plates	30.990
Roller Diameter	27.940

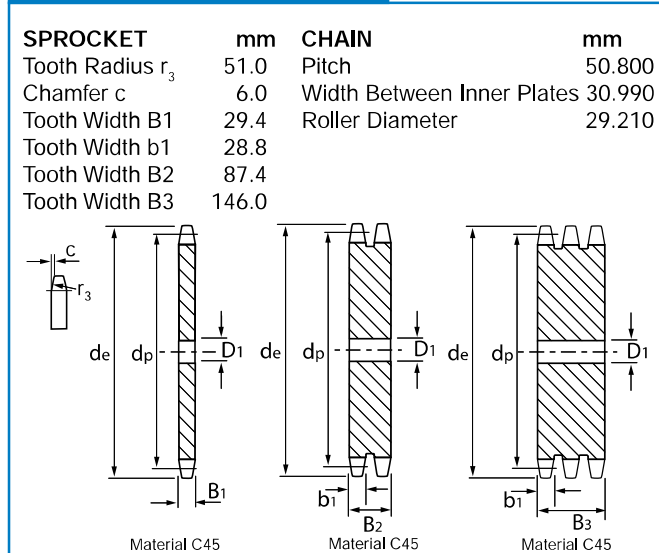


Teeth	Outer Dia de	Pitch Dia dp	Simplex Stock Bore D1	Duplex Stock Bore D1	Triplex Stock Bore D1
8	132.0	116.15	25	25	25
9	148.4	129.96	25	25	25
10	162.3	143.85	25	25	25
11	176.3	157.77	25	30	30
12	189.3	171.74	25	30	30
13	204.2	185.75	25	30	30
14	218.2	199.76	25	30	30
15	232.3	213.79	25	30	30
16	246.3	227.84	30	30	30
17	260.0	241.90	30	30	30
18	274.0	255.98	30	30	30
19	289.0	270.06	30	30	30
20	303.0	284.15	30	30	30
21	317.0	298.24	30	30	40
22	331.0	312.34	30	30	-
23	345.0	326.44	30	30	40
24	359.0	340.55	30	30	-
25	373.0	354.66	30	30	-
26	387.0	368.77	30	40	-
27	401.0	382.88	30	-	-
28	416.0	397.00	30	40	-
30	444.0	425.24	30	40	-
32	472.0	453.49	30	-	-
34	500.0	481.75	30	-	-
35	514.0	495.88	30	-	-
36	529.0	510.01	30	-	-
38	557.0	538.27	30	-	-
40	585.0	566.54	30	-	-

Plate Wheels

BS Pilot Bore Plate Wheels

32B 2" x 1.1/4"



Teeth	Outer Dia de	Pitch Dia dp	Simplex Stock Bore D1	Duplex Stock Bore D1	Triplex Stock Bore D1
8	153.2	132.74	25	25	25
9	169.0	148.54	25	25	25
10	185.0	164.39	25	25	25
11	200.8	180.31	30	35	35
12	216.8	196.29	30	35	35
13	232.8	212.29	30	35	35
14	248.8	228.29	30	35	35
15	264.8	244.30	30	35	35
16	280.9	260.40	30	40	40
17	296.9	276.46	30	40	40
18	313.0	292.55	30	40	40
19	329.1	308.66	30	40	40
20	345.2	324.71	30	40	40
21	361.3	340.82	40	40	-
22	377.5	356.98	40	40	-
23	393.6	373.08	40	40	-
24	409.7	389.18	40	40	-
25	425.8	405.33	40	40	-
26	441.9	421.44	40	40	-
27	458.1	437.58	40	-	-
28	474.2	453.69	40	-	-
30	506.5	486.00	40	-	40
32	538.8	518.27	40	-	40
35	589.5	566.71	40	-	40