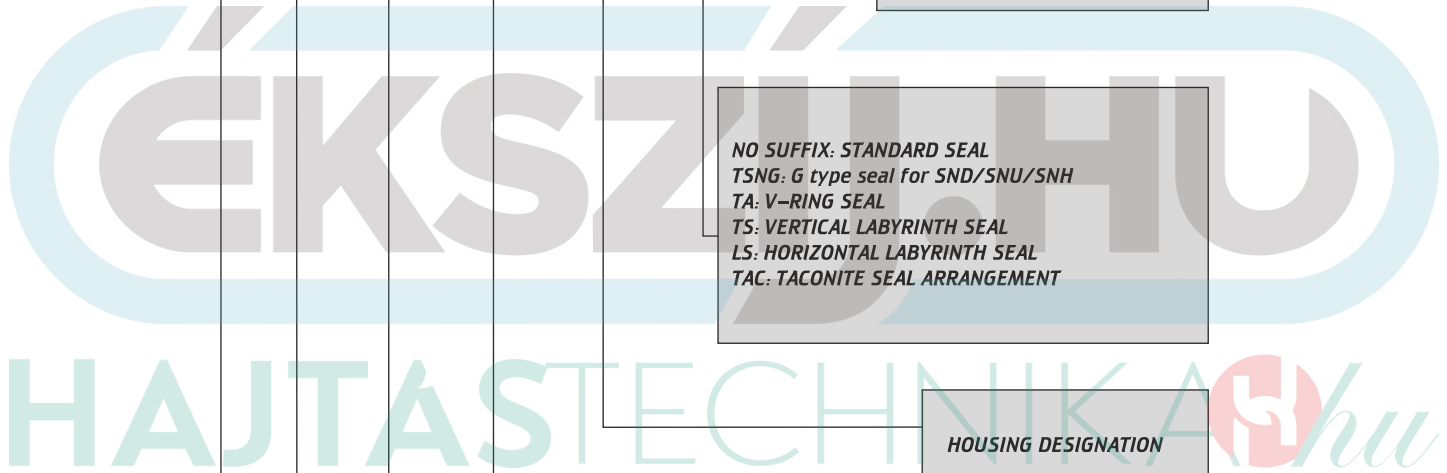
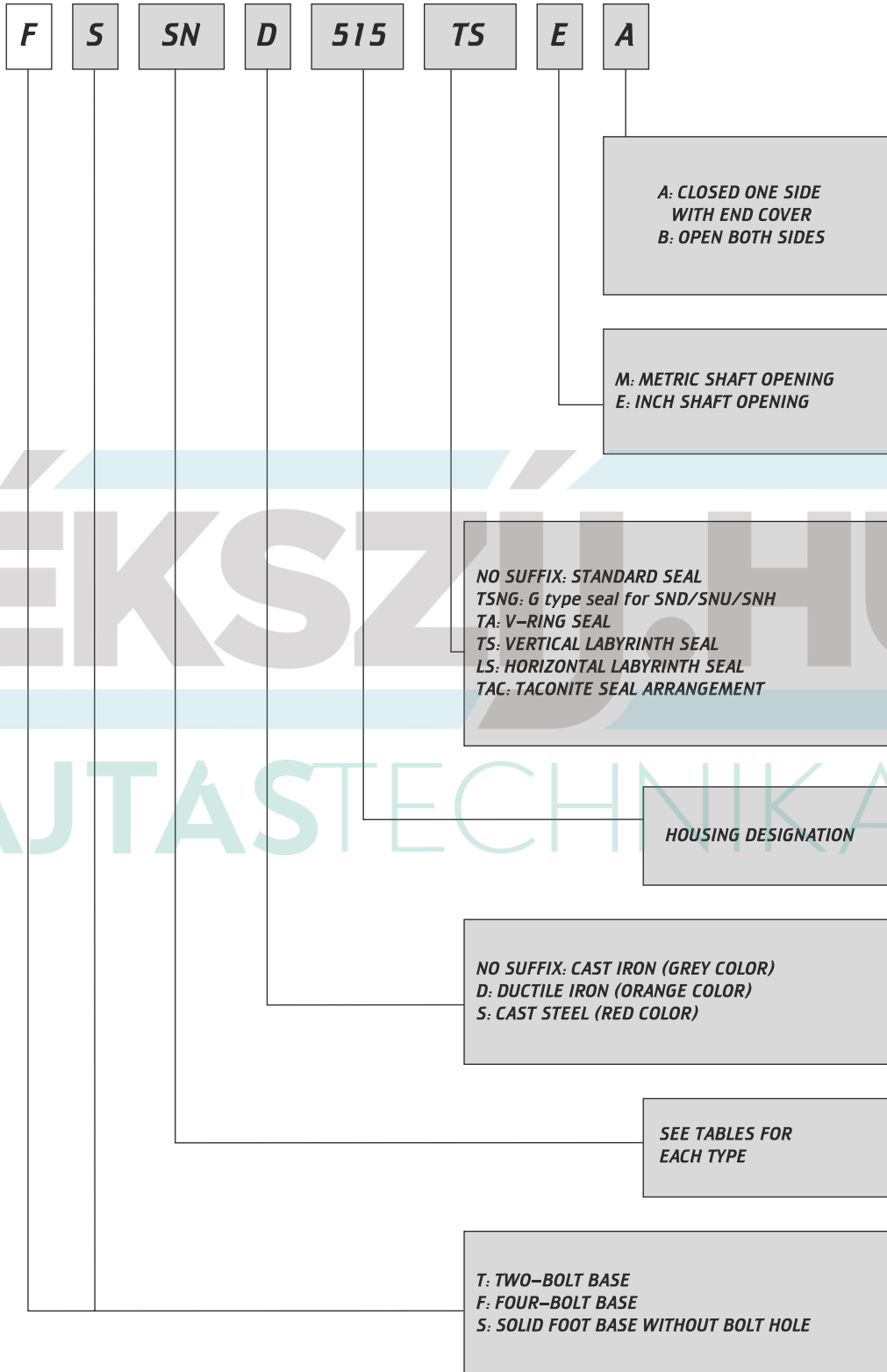


HOUSING DESIGNATION



SPLIT PILLOW BLOCKS/PLUMMER BIOCDS

Some sizes of housings listed in this catalog may not be available.

SN500-600 Series
SN200-300 Series
Light duty



SD500-600 Series
Sd3000 Series



SN500-600 Series
SN200-300 Series
Medium duty



SAF500-600 Series



Sn3000 Series
Sn3100 Series



SAF200-300 Series



SN500-600 Series



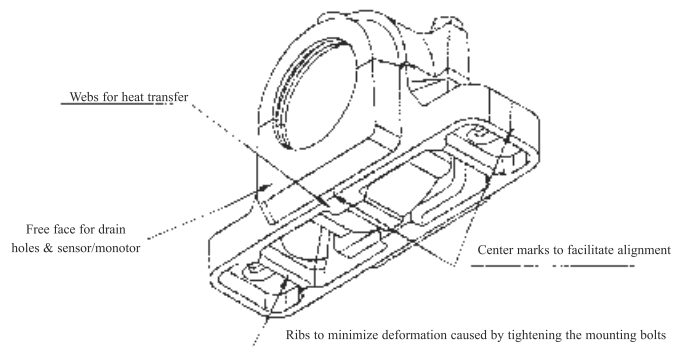
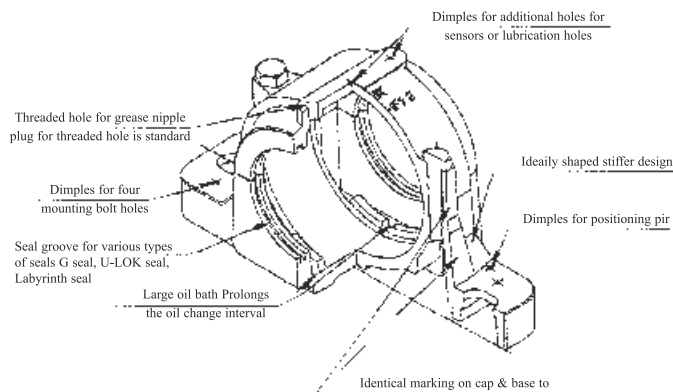
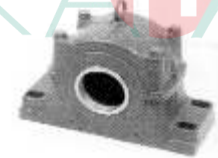
SDAF500-600 Series
SDAF200-300 Series
SDAF-2300-K Series

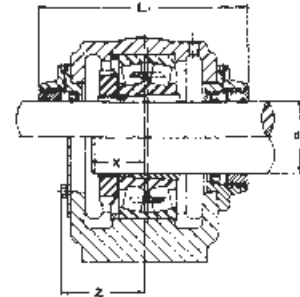
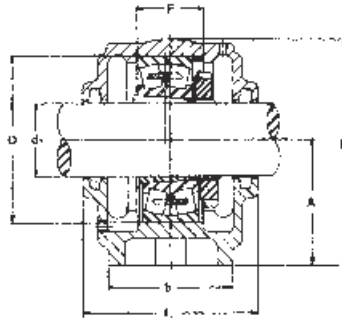
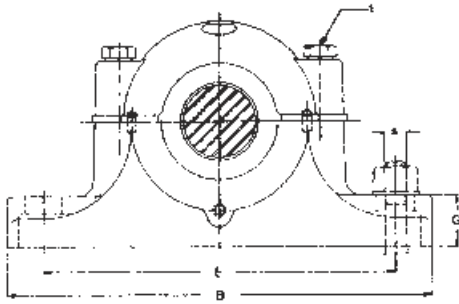


Sd3100 Series



SAF-230K Series





HOUSING NO.	Dimensions mm(in)															
	Weight kg (lb)		D H8	B	b	G	F H13	A h13	L	H	E	E1	L1	X	Z	D2H12 mm
	mm	in														
SN 505	20	3/4	52 2.0473	165 6.4961	46 1.8110	22 0.8661	25 0.9843	40 1.5748	67 2.6378	75 2.9528	130 5.1181	25 0.9843	22 0.8661		21.5 0.8465	
SN 506	25	1	62 2.4410	185 7.2835	52 2.0472	22 0.8661	30 1.1812	50 1.9685	77 3.0315	90 3.5433	150 5.9055	25 0.9843	22 0.8661		26.5 1.0434	
SN 507	30	11/8	72 2.8347	185 7.2835	52 2.0472	22 0.8661	33 1.2993	50 1.9685	82 3.2283	95 3.7402	150 5.9055	25 0.9843	24 0.9449		31.5 1.2402	
SN 508	35	11/4	80 3.1497	205 8.0709	60 2.3622	25 0.9843	33 1.2993	60 2.3622	85 3.3465	110 4.3307	170 6.6929	30 1.811	26 1.0236		36.5 1.4371	
SN SSN 509	40	11/2	85 3.3465	205 8.0709	60 2.3622	25 0.9843	31 1.2205	60 2.3622	85 3.3465	112 4.4094	170 6.6929	30 1.1811	28 1.1024		41.5 1.6339	
SN SSN 510	45	13/4	90 3.5434	205 8.0709	60 2.3622	25 0.9843	33 1.2993	60 2.3622	90 3.5433	115 4.5276	170 6.6929	30 1.1811	28 1.1024		46.5 1.8308	
SN SSN 511	50	2	100 3.9371	255 10.0394	70 2.7559	28 1.1024	33 1.2993	70 2.7559	95 3.7402	130 5.1181	210 8.2677	35 1.3780	160 6.2992	30 1.1811	54 2.1260	51.5 2.0276
SN SSN 512	55	21/8	110 4.3308	255 8.8583	70 2.7559	30 1.1811	38 1.4961	70 2.7559	105 4.1339	135 5.3150	210 8.2677	35 1.3780	172 6.7717	32 1.2598	62 2.4409	56.5 2.2245
SN SSN 513	60	21/4	120 4.7245	275 10.8268	80 3.1496	30 1.1811	43 1.6930	80 3.1496	110 4.3307	150 5.9055	230 9.0551	40 1.5748	172 6.7717	36 1.4173	62 2.4409	62 2.4410
SN SSN 515	65	21/2	130 5.1182	280 11.0236	80 3.1496	30 1.1811	41 1.6142	80 3.1496	115 4.5276	155 6.1024	230 9.0551	40 1.5748	182 7.1654	38 1.4961	68 2.6772	67 2.6379
SN SSN 516	70	23/4	140 5.5119	315 12.4016	90 3.5433	32 1.2598	43 1.6930	95 3.7401	120 4.7244	175 6.8898	260 10.2362	50 1.9685	184 7.2441	40 1.5748	68 2.6772	72 2.8347
SN SSN 517	75	3	150 5.9056	320 12.5984	90 3.5433	32 1.2598	46 1.8111	95 3.7401	125 4.9213	185 7.2835	260 10.2362	50 1.9685	184 7.2441	42 1.6535	70 2.7559	77 3.0316
SN SSN 518	80	31/4	160 6.2993	345 13.5827	100 3.9370	35 1.3780	62.4 2.4567	100 3.9370	145 5.7087	195 7.6772	290 11.4173	50 1.9685	204 8.0315	50 1.9685	81 3.1890	82 3.2284
SN SSN 519	85	-	170 6.6930	345 13.5827	100 3.9370	35 1.3780	53 2.0867	112 4.4094	140 5.5118	210 8.2677	290 11.4173	50 1.9685	- 0.0000	- 0.0000	- 0.0000	87 3.4253
SN SSN 520	90	31/2	180 7.0867	380 14.9606	110 4.3307	40 1.5748	70.3 2.7678	112 4.4094	160 6.2992	218 8.5827	320 12.5984	60 2.3622	224 8.8189	54 2.1260	90 3.5433	92 3.6221
SN SSN 522	100	4	200 7.8741	410 16.1417	120 4.7244	45 1.7717	80 3.1497	125 4.9212	175 6.8898	240 9.4488	350 13.7795	70 2.7559	232 9.1339	60 2.3622	92 3.6220	102 4.0158
SN SSN 524	110	41/4	215 8.4646	410 16.1417	120 4.7244	45 1.7717	86 3.3859	140 5.5118	185 7.2835	270 10.6299	350 13.7795	70 2.7559	248 9.7638	64 2.5197	95 3.7402	113 4.4489
SN SSN 526	115	41/2	230 9.0552	445 17.5197	130 5.1181	50 1.9685	90 3.5434	150 5.9055	190 7.4803	290 11.4173	380 14.9606	70 2.7559	268 10.5512	64 2.5197	100 3.9370	118 4.6457
SN SSN 528	125	5	250 9.8426	500 19.6850	150 5.9055	50 1.9685	98 3.8583	150 5.9055	205 8.0709	305 12.0079	420 16.5354	80 3.1496	286 11.2598	70 2.7559	108 4.2520	128 5.0394
SN SSN 530	135	51/4	270 10.6300	530 20.8661	160 6.2992	60 2.3622	106 4.1733	160 6.2992	220 8.6614	325 12.7953	450 17.7165	90 3.5433	304 11.9685	76 2.9921	113 4.4488	138 5.4331
SN SSN 532	140	51/2	290 11.4174	550 21.6535	160 6.2992	60 2.3622	114 4.4882	170 6.6929	235 9.2520	345 13.5827	470 18.5039	90 3.5433	320 12.5984	80 3.1496	122 4.8031	143 5.6300

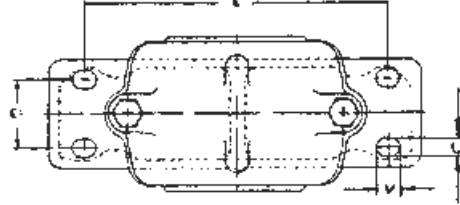
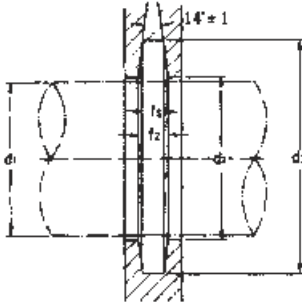
BEARING HOUSING & ACCESSORIES



SN - SSN 500 Series

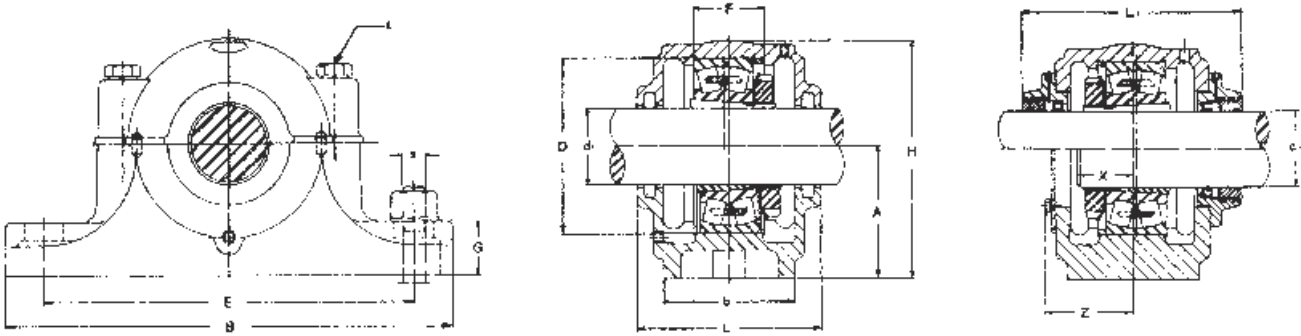
NOTES:

Foot of standard housing SSN type is solid without mounting holes or can be pre-cast as 2-bolt (with prefix T) or 4-bolt mounting (with prefix F).



										BEARING NO.		ADPTER SLEEVE		LOCATING RING	
d3 H12	T	f1 H13	f2	u	v	S		WEIGHT kg (lb)		SELF-ALIGN BALL	SPHERICAL ROLLER	MET- RIC	INCH	NUMBER	QTY
						2 bolt	4 bolt	SN5	SSN5						
31 1.2205	M8	3 2.4410	4.2 7.2835	15 2.0472	20 0.8661	M12	M8	1.5 3.308	2.3 5.072	1205k 2205k	- 22205k	H205 H305	HE205 HE305	52x5 52x7	2 1
38 1.4961	M8	4 0.1575	5.4 0.2126	15 0.5906	20 0.7874	M12	M10	1.74 3.837	2.8 6.174	1206k 2206k	- 22206k	H206 H306	HE206 HE306	62x7 62x10	2 1
43 1.6930	M10	4 0.1575	5.4 0.2126	15 0.5906	20 0.7874	M12	M10	1.9 4.190	3.2 7.056	1207k 2207k	- 22207k	H207 H307	HS207 HS307	72x8 72x10	2 1
48 1.8898	M10	4 0.1575	5.4 0.2126	15 0.5906	20 0.7874	M12	M10	2.63 5.799	3.2 7.056	1208k 2208k	- 22208k	H208 H308	HE208 HE308	80x7.5 80x10	2 1
53 2.0867	M10	4 0.1575	5.4 0.2126	15 0.5906	20 0.7874	M12	M10	2.64 5.821	3.7 8.159	1209k 2209k	- 22209k	H209 H309	HE209 HE309	85x6 85x8	2 1
58 2.2835	M10	4 0.1575	5.4 0.2126	15 0.5906	20 0.7874	M12	M10	2.8 6.174	3.8 8.379	1210k 2210k	- 22210k	H210 H310	HE210 HE310	90x6.5 90x10	2 1
67 2.6379	M12	5 0.1969	6.9 0.2717	18 0.7087	23 0.9055	M16	M12	4.32 9.526	6.2 13.671	1211k 2211k	- 22211k	H211 H311	HE211 HE311	100x6 100x10	2 1
72 2.8347	M12	5 0.1969	6.9 0.2717	18 0.7087	23 0.9055	M16	M12	4.99 11.003	6.5 14.333	1212k 2212k	- 22212k	H212 H312	HS212 HS312	110x8 110x10	2 1
77 3.0316	M12	5 0.1969	6.9 0.2717	18 0.7087	23 0.9055	M16	M12	5.64 12.436	8.3 18.302	1213k 2213k	- 22213k	H213 H313	HE213 HE313	120x10 120x12	2 1
82 3.2284	M12	5 0.1969	6.9 0.2717	18 0.7087	23 0.9055	M16	M12	6.19 13.649	9.0 19.845	1215k 2215k	- 22215k	H215 H315	HE215 HE315	130x8 130x10	2 1
89 3.5040	M16	6 0.2363	8.1 0.3189	22 0.8661	27 1.0630	M20	M12	8.17 18.015	12.1 26.681	1216k 2216k	- 22216k	H216 H316	HE216 HE316	140x8.5 140x10	2 1
94 3.7008	M16	6 0.2363	8.1 0.3189	22 0.8661	27 1.0630	M20	M12	9.37 20.661	12.2 26.901	1217k 2217k	- 22217k	H217 H317	HE217 HE317	150x9 150x10	2 1
99 3.8977	M16	6 0.2363	8.1 0.3189	22 0.8661	27 1.0630	M20	M16	11.5 25.358	15.2 33.516	1218k 2218k - 23218k	- 22218k - 23218k	H218 H318 H2318	HE218 HE318 HE2318	160x16.2 160x11.2 160x10	2 2 1
104 4.0945	M16	6 0.2363	8.1 0.3189	22 0.8661	27 1.0630	M20	M16	13.5 29.768	17.7 39.029	1219k	- 22219k	H219 H319		170x10.5 170x10	2 1
111 4.3701	M20	7 0.2756	9.3 0.3661	26 1.0236	32 1.2598	M24	M16	16.3 35.942	20.5 45.203	2220k	22220k 23220k	H320 H2320	HE320 HE2320	180x12.1 180x10	2 1
125 4.9213	M20	8 0.2756	10.7 0.3661	26 1.0236	32 1.2598	M24	M16	25.1 55.346	29.2 64.386	2222k -	22222k 23222k	H322 H2322	HE322 HE2322	200x13.5 200x10	2 1
135 5.3150	M20	8 0.2756	10.7 0.3661	26 1.0236	32 1.2598	M24	M16	27.2 59.976	33.0 72.765	-	22224k 23224k	H3124 H2324	HE3124 HE2324	215x14 215x10	2 1
140 5.5119	M24	8 0.2756	10.7 0.3661	26 1.0236	32 1.2598	M24	M16	35.2 77.616	40.9 90.185	-	22226k 23226k	H3126 H2326	HE3126 HE2326	230x13 230x10	2 1
154 6.0630	M24	9 0.3544	12.2 0.4803	34 1.3386	44 1.7323	M30	M24	43.7 96.359	48.6 107.163	-	22228k 23228k	H3128 H2328	HE3128 HE2328	250x15 250x10	2 1
164 6.4567	M24	9 0.3544	12.2 0.4803	34 1.3386	44 1.7323	M30	M24	45.3 99.887	56.2 123.921	-	22230k 23230k	H3130 H2330	HE3130 HE2330	270x16.5 270x10	2 1
173 6.8111	M24	10 0.3938	13.7 0.5394	32 1.2598	44 1.7323	M30	M24	50.75 111.904	68.5 151.043	-	22232k 23232k	H3132 H2332	HE3132 HE2332	290x17 290x10	2 1

SN - SSN 600 Series



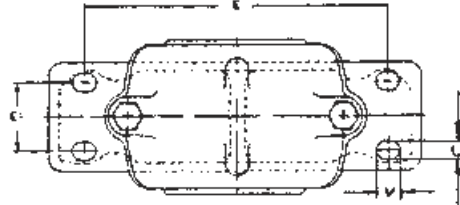
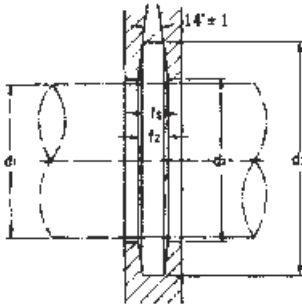
HOUSING NO.	Dimensions mm(in)															
	Weight kg (lb)		D H8	B	b	G	F H13	A h13	L	H	E	E1	L1	X	D2H12	d3 mm
	mm	in														
SN 605	20	3/4	62 2.4410	185 7.2835	52 2.0472	22 0.8661	34 1.3386	50 1.9685	80 3.1496	90 3.5433	150 5.9055	25 0.9845		27 1.0630	21.5 0.8465	31 1.2205
SN 606	25	1	72 2.8347	185 7.2835	52 2.0472	22 0.8661	37 1.4567	50 1.9685	82 3.2283	95 3.7402	150 5.9055	25 0.9845		27 1.0630	26.5 1.0434	38 1.4661
SN 607	30	11/8	80 3.1497	205 8.0709	60 2.3622	25 0.9843	41 1.6142	60 2.3622	90 3.5433	110 4.3307	170 6.6926	30 1.1811		32 1.2598	31.5 1.2402	43 1.6930
SN 608	35	11/4	90 3.5434	205 7.2835	60 2.0472	25 0.8661	43 1.6930	60 1.9685	95 3.7402	115 3.7402	170 5.9055	30 0.9845		34 1.3386	36.5 1.4371	48 1.8898
SN SSN 609	40	11/2	100 3.9371	255 10.0394	70 2.7559	28 1.1024	46 1.8111	70 2.7559	105 4.1339	130 5.1181	210 8.2677	35 1.3780		36 1.4173	41.5 1.6339	53 2.0867
SN SSN 610	45	13/4	110 4.3308	255 10.0394	70 2.7559	30 1.1811	50 1.9686	70 2.7559	115 4.5276	135 5.3150	210 8.2677	35 1.3780		39 1.5354	46.5 1.8308	58 2.2835
SN SSN 611	50	2	120 4.7245	275 10.8268	80 3.1496	30 1.1811	53 2.0867	80 3.1496	120 4.7244	150 5.9055	230 9.0551	40 1.5748	185 7.2835	40 1.5748	51.5 2.0276	67 2.6379
SN SSN 612	55	21/8	130 5.1182	280 11.0236	80 3.1496	30 1.1811	56 2.2048	80 3.1496	125 4.9213	155 6.1024	230 9.0551	40 1.5748	185 7.2835	44 1.7323	56.5 2.2245	72 2.8347
SN SSN 613	60	21/4	140 5.5119	315 12.4016	90 3.5433	32 1.2598	58 2.2835	95 3.7401	130 5.1181	175 6.8898	260 10.2362	50 1.9685	200 7.8740	46 1.8110	62 2.4410	77 3.0316
SN SSN 615	65	21/2	160 6.2993	345 13.5827	100 3.9370	35 1.3780	65 2.5591	100 3.9370	140 5.5118	195 7.6772	290 11.4173	50 1.9685	210 8.2677	51 2.0079	67 2.6379	82 3.2284
SN SSN 616	70	23/4	170 6.6930	345 13.5827	100 3.9370	35 1.3780	68 2.6772	112 4.4094	145 5.7087	212 8.3465	290 11.4173	50 1.9685	210 8.2677	52 2.0472	72 2.8347	89 3.5040
SN SSN 617	75	3	180 7.0867	380 14.9606	110 4.3307	40 1.5748	70 2.7560	112 4.4094	155 6.1024	218 8.5827	320 12.5984	60 2.3622	220 8.6614	56 2.2047	77 3.0316	94 3.7008
SN SSN 618	80	31/4	190 7.4804	400 15.7480	110 4.3307	33 1.2992	74 2.9134	112 4.4094	160 6.2992	230 9.0551	335 13.1890	60 2.3622	225 8.8583	58 2.2835	82 3.2284	99 3.8977
SN SSN 619	85	-	200 7.8741	420 16.5354	120 4.7244	36 1.4173	77 3.0316	125 4.9212	170 6.6929	245 9.6457	350 13.7795	70 2.7559	235 9.2520	60 2.3622	87 3.4253	104 4.0945
SN SSN 620	90	31/2	215 8.4646	420 16.5354	120 4.7244	38 1.4961	83 3.2678	140 5.5118	175 6.8898	280 11.0236	350 13.7795	70 2.7559	240 9.4488	64 2.5197	92 3.6221	111 4.3701
SN SSN 622	100	4	240 9.4489	460 18.1102	130 5.1181	40 1.5748	90 3.5434	150 5.9055	190 7.4803	300 11.8110	390 15.3543	70 2.7559	258 10.1575	69 2.7165	102 4.0158	125 4.9213
SN SSN 624	110	41/4	260 10.2363	540 21.2598	160 6.2992	50 1.9685	96 3.7796	160 6.2992	205 8.0709	325 12.7953	450 17.7165	90 3.5433	280 11.0236	73 2.8740	113 4.4489	135 5.3150
SN SSN 626	115	41/2	280 11.0237	560 22.0472	160 6.2992	50 1.9685	103 4.0552	170 6.6929	215 8.4646	350 13.7795	470 18.5039	90 3.5433	300 11.8110	77 3.0315	118 4.6457	140 5.5119
SN SSN 628	125	5	300 11.8111	630 24.8031	170 6.6929	55 2.1654	112 4.4095	180 7.0866	235 9.2520	375 14.7638	520 20.4724	90 3.5433	320 12.5984	83 3.2677	128 5.0394	154 6.0630
SN SSN 630	135	51/4	320 12.5985	680 26.7717	180 7.0866	55 2.1654	118 4.6457	190 7.4803	245 9.6457	395 15.5512	560 22.0472	90 3.5433	340 13.3858	88 3.4646	138 5.4331	164 6.4567
SN SSN 632	140	51/2	340 13.3859	710 27.9528	190 7.4803	60 2.3622	124 4.8819	200 7.8740	255 10.0394	415 16.3386	580 22.8346	100 3.9370	350 13.7795	93 3.6614	143 5.6300	173 6.8111

BEARING HOUSING & ACCESSORIES

SN - SSN 600 Series

NOTES:

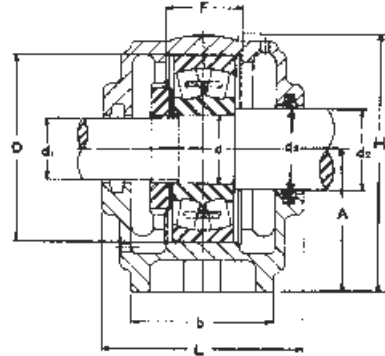
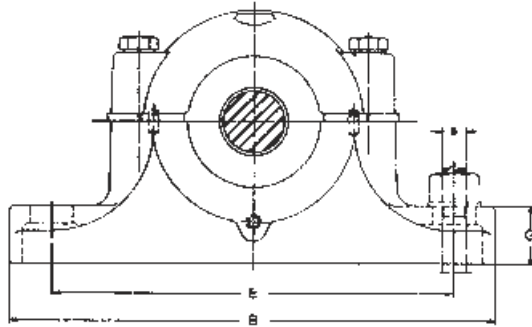
Foot of standard housing SSN type is solid without mounting holes or can be precast as 2-bolt (with prefix T) or 4-bolt mounting (with prefix F).



T	f ₁ H13	f ₂	u	v	S		WEIGHT kg (lb)		BEARING NO.		ADAPTERSLEEVE		LOCATING RING	
					2 bolt	4 bolt	SN6	SSN6	SELF-ALIGN BALL	SPHERICAL ROLLER	METRIC	INCH	NUMBER	QTY
M8	3 0.1182	4.2 0.1654	16 0.6299	20 0.7874	M12	M10	2.11 4.653	2.3 5.072	1305k 2305k	-	H305 H2305	HE305 HE2305	62x8.5 62x10	2 1
M10	4 0.1575	5.4 0.2126	16 0.6299	20 0.7874	M12	M10	2.09 4.608	- 0.000	1306k 2306k	-	H306 H2306	HE306 HE2306	72x9 72x10	2 1
M10	4 0.1575	5.4 0.2126	16 0.6299	20 0.7874	M12	M10	3.4 7.497	4.1 9.041	1307k 2307k	-	H307 H2307	HE307 HE2307	80x10 80x10	2 1
M10	4 0.1575	5.4 0.2126	15 0.5906	20 0.9449	M12	M10	3.6 7.938	4.7 10.364	1308k 2308k	21308k	H308 H2308	HE308 HE2308	90x10 90x10	2 1
M12	4 0.1575	5.4 0.2126	19 0.7480	20 0.9843	M16	M12	5.3 11.687	6.8 14.994	1309k 2309k	21309k	H309 H2309	HE309 HE2309	100x10.5 100x10	2 1
M12	4 0.1575	5.4 0.2126	18 0.7087	23 0.9055	M16	M12	5.5 12.128	6.8 14.994	1310k 2310k	21310k	H310 H2310	HE310 HE2310	110x11.5 110x10	2 1
M12	5 0.1969	6.9 0.2717	20 0.7874	28 1.1024	M16	M12	6.9 15.215	9.0 19.845	1311k 2311k	21311k	H311 H2311	HE311 HE2311	120x12 120x10	2 1
M12	5 0.1969	6.9 0.2717	20 0.7874	28 1.1024	M16	M12	8.8 19.404	10.5 23.153	1312k 2312k	21312k	H312 H2312	HE312 HE2312	130x12.5 130x10	2 1
M16	5 0.1969	6.8 0.2677	22 0.8661	30 1.1811	M20	M12	9.8 21.609	12.4 27.342	1313k 2313k	21313k	H313 H2313	HE313 HE2313	140x12.5 140x10	2 1
M16	5 0.1969	6.8 0.2677	23 0.9055	28 1.1024	M20	M16	13.0 28.665	16.4 36.162	1315k 2315k	21315k	H315 H2315	HE315 HE2315	160x14 160x10	2 1
M16	6 0.2363	8.1 0.3189	23 0.9055	30 1.1811	M20	M16	15.5 34.178	19.7 43.439	1316k 2316k	21316k	H316 H2316	HE316 HE2316	170x14.5 170x10	2 1
M20	6 0.2363	8.1 0.3189	26 1.0236	35 1.3780	M24	M16	16.3 35.942	20.7 45.644	1317k 2317k	21317k	H317 H2317	HE317 HE2317	180x14.5 180x10	2 1
M20	6 0.2363	8.1 0.3189	27 1.0630	38 1.4961	M24	M16	20.0 44.100	24 52.920	1317k 2318k	- 22318k	H318 H2318	HE318 HE2318	190x15.5 190x10	2 1
M20	6 0.2363	8.1 0.3189	28 1.1024	36 1.4173	M24	M16	28.0 61.740	29.7 65.489	1319k 2319k	- 22319k	H319 H2319	HE319 HE2319	200x16 200x10	2 1
M20	7 0.2756	9.3 0.3661	27 1.0630	33 1.2992	M24	M16	30.5 67.253	37.1 81.806	1320k 2320k	- 22320k	H320 H2320	HE320 HE2320	215x18 215x10	2 1
M20	8 0.3150	10.0 0.3937	28 1.1024	32 1.2598	M24	M16	42 92.610	49.2 108.486	1322k 2322k	- 22322k	H322 H2322	HE322 HE2322	240x20 240x10	2 1
M24	8 0.3150	10.7 0.4213	34 1.3386	42 1.6535	M30	M20	59 130.095	72.0 158.760	-	22324k	H2324	HE2324	260x10	1
M24	8 0.3150	10.7 0.4213	34 1.3386	42 1.6535	M30	M20	61.5 135.608	80.9 178.385	-	22326k	H2326	HE2326	280x10	1
M30	9 0.3150	12.2 0.4803	34 1.3386	46 1.8110	M30	M20	88 194.040	105 231.525	-	22328k	H2328	HE2328	300x10	1
M30	9 0.3150	12.2 0.4803	38 1.4961	44 1.7323	M30	M20	89 196.245	115 253.575	-	22330k	H2330	HE2330	320x10	1
M30	10 0.3938	13.7 0.5394	40 1.5748	52 2.0472	M36	M24	127 280.035	145 319.725	-	22332k	H2332	HE2332	340x10	1

BEARING HOUSING & ACCESSORIES

SN - SSNZ 200 Series



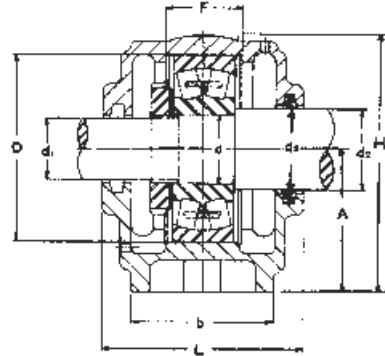
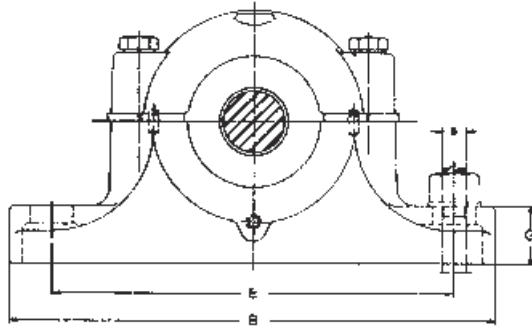
HOUSING NO.	SHAFT DIA.			DIMENSIONS mm(in)										BOLT S	SELF-ALIG BALL	SPHERICAL ROLLER	LOCK NUT	LOCK WASH-ER	ZF SEAL		LOCATING RING	
	d	d1	d2	D H8	B	b	G	F H13	A h13	L	H	E	d1						d2	NUM-BER	QTY	
SNZ 205	25	20	30	52	165	46	22	25	40	67	75	130	M12	1205 2205	- 22205	AN05	AW05	ZF5	ZF7	52x5 52x7	2 1	
SNZ 206	30	25	35	62	185	52	22	30	50	77	90	150	M12	1206 2206	- 22206	AN06	AW06	ZF6	ZF8	62x7 62x10	2 1	
SNZ 207	35	30	45	72	185	52	22	33	50	82	95	150	M12	1207 2207	- 22207	AN07	AW07	ZF7	ZF10	72x8 72x10	2 1	
SNZ 208	40	35	50	80	205	60	25	33	60	85	110	170	M12	1208 2208	- 22208	AN08	AW08	ZF8	ZF11	80x7.5 80x10	2 1	
SNZ SSNZ 209	45	40	55	85	205	60	25	31	60	85	112	170	M12	1209 2209	- 22209	AN09	AW09	ZF9	ZF12	85x6 85x8	2 1	
SNZ SSNZ 210	50	45	60	90	205	60	25	33	60	90	115	170	M12	1210 2210	- 22210	AN10	AW10	ZF10	ZF13	90x6.5 90x10	2 1	
SNZ SSNZ 211	55	50	65	100	255	70	28	33	70	95	130	210	M16	1211 2211	- 22211	AN11	AW11	ZF11	ZF15	100x6 100x8	2 1	
SNZ SSNZ 212	60	55	70	110	255	70	30	38	70	105	135	210	M16	1212 2212	- 22212	AN12	AW12	ZF12	ZF16	110x8 110x10	2 1	
SNZ SSNZ 213	65	60	75	120	275	80	30	43	80	110	150	230	M16	1213 2213	- 22213	AN13	AW13	ZF13	ZF17	120x10 120x12	2 1	
SNZ SSNZ 214	70	60	80	125	275	80	30	44	80	115	155	230	M16	1214 2214	- 22214	AN14	AW14	ZF13	ZF18	125x10 125x13	2 1	
SNZ SSNZ 215	75	65	85	130	280	80	30	41	80	115	155	230	M16	1215 2215	- 22215	AN15	AW15	ZF15	ZF19	130x8 130x10	2 1	
SNZ SSNZ 216	80	70	90	140	315	90	32	43	95	120	175	260	M20	1216 2216	- 22216	AN16	AW16	ZF16	ZF20	140x8.5 140x10	2 1	
SNZ SSNZ 617	85	75	95	150	320	90	32	46	95	125	185	260	M20	1217 2217	- 22217	AN17	AW17	ZF17	ZF21	150x9 150x10	2 1	
SNZ SSNZ 218	90	80	100	160	345	100	35	62.4	100	145	195	290	M20	1218 2218	22218 23218	AN18	AW18	ZF18	ZF22	160x16.2 160x11.2 160x10	2 2 1	
SNZ SSNZ 219	95	85	110	170	345	100	35	53	112	140	210	290	M20	1219 2219	- 22219	AN19	AW19	ZF19	ZF24	170x10.5 170x10	2 1	
SNZ SSNZ 220	100	90	115	180	380	110	40	70.3	112	160	218	320	M24	2220 2222	22220 23220	AN20	AW20	ZF20	ZF26	180x12.1 180x10	2 1	
SNZ SSNZ 222	110	100	125	200	410	120	45	80	125	175	240	350	M24		22222 23222	AN22	AW22	ZF22	ZF28	200x13.5 200x10	2 1	
SNZ SSNZ 224	120	110	135	215	410	120	45	86	140	185	270	350	M24		22224 23224	AN24	AW24	ZF24	ZF30	215x14 215x10	2 1	
SNZ SSNZ 226	130	115	145	230	445	130	50	90	150	190	290	380	M24		22226 23226	AN26	AW26	ZF26	ZF33	230x13 230x10	2 1	
SNZ SSNZ 228	140	125	155	250	500	150	50	98	150	205	305	420	M30		22228 23228	AN28	AW28	ZF28	ZF35	250x15 250x10	2 1	
SNZ SSNZ 230	150	135	165	270	530	160	60	106	160	220	325	450	M30		22230 23230	AN30	AW30	ZF30	ZF37	270x16.5 270x10	2 1	
SNZ SSNZ 232	160	140	175	290	550	160	60	114	170	235	345	470	M30		22232 23232	AN32	AW32	ZF32	ZF39	290x17 290x10	2 1	

NOTES: For stepped shaft bore, use SNZ 2xx/3xx.
For same shaft bore, use SN 2xx/3xx.

BEARING HOUSING & ACCESSORIES



SN - SSNZ 300 Series



HOUSING NO.	SHAFT DIA.			DIMENSIONS mm(in)									BOLT S	SELF-ALIG BALL	SPHERICAL ROLLER	LOCK NUT	LOCK WASH-ER	ZF SEAL		LOCATING RING	
	d	d1	d2	D H8	B	b	G	F H13	A h13	L	H	E						d1	d2	NUM-BER	QTY
SNZ 305	25 0.9842	20 0.7874	30 1.1811	60 2.3623	185 7.2835	52 2.0472	22 0.8661	34 1.3386	50 1.9685	80 3.1496	90 3.5433	150 5.9055	M12	1305 2305	-	AN05	AW05	ZF5	ZF7	62x8.5 62x10	2 1
SNZ 306	30 1.1811	25 0.9843	35 1.3780	72 2.8347	185 7.2835	52 2.0472	22 0.8661	37 1.4567	50 1.9685	82 3.2283	95 3.3465	150 5.9055	M12	1306 2306	-	AN06	AW06	ZF6	ZF8	72x9 72x10	2 1
SNZ 307	35 1.3779	30 1.1811	45 1.7717	80 3.1497	205 8.0709	60 2.3622	25 0.9843	41 1.6142	60 2.3622	90 3.5433	110 4.3307	170 6.6929	M12	1307 2307	-	AN07	AW07	ZF7	ZF10	80x10 80x10	2 1
SNZ 308	40 1.5748	35 1.3780	50 1.9685	90 3.5434	205 8.0709	60 2.3622	25 0.9843	43 1.6930	60 2.3622	95 3.7402	115 4.5276	170 6.5929	M12	1308 2308	21308 22308	AN08	AW08	ZF8	ZF11	90x10 90x10	2 1
SNZ SSNZ 309	45 1.7716	40 1.5748	55 2.1654	100 3.9371	255 10.0394	70 2.7559	28 1.1024	46 1.8111	70 2.7559	105 4.1339	130 5.1181	210 8.2677	M16	1309 2309	21309 22309	AN09	AW09	ZF9	ZF12	100x10.5 100x10	2 1
SNZ SSNZ 310	50 1.9685	45 1.7717	60 2.3622	110 4.3308	255 10.0394	70 2.7559	30 1.1811	50 1.9686	70 2.7559	115 4.5276	135 5.3150	210 8.2677	M16	1310 2310	21310 22310	AN10	AW10	ZF10	ZF13	110x11.5 110x10	2 1
SNZ SSNZ 311	55 2.1653	50 1.9685	65 2.5591	120 4.7245	275 10.8268	80 3.1496	30 1.1811	53 2.0867	80 3.1496	120 4.7244	150 5.9055	230 9.0551	M16	1311 2311	21311 22311	AN11	AW11	ZF11	ZF15	120x12 120x10	2 1
SNZ SSNZ 312	60 2.3622	55 2.1654	70 2.7559	130 5.1182	280 11.0236	80 3.1496	30 1.1811	56 2.2048	80 3.1496	125 4.9213	155 6.1024	230 9.0551	M16	1312 2312	21312 22312	AN12	AW12	ZF12	ZF16	130x12.5 130x10	2 1
SNZ SSNZ 313	65 2.5590	60 2.3622	75 2.9528	140 5.5119	315 12.4016	90 3.5433	32 1.2598	58 2.2835	95 3.7401	130 5.1181	175 6.8898	260 10.2362	M20	1313 2313	21313 22313	AN13	AW13	ZF13	ZF17	140x12.5 140x10	2 1
SNZ SSNZ 314	70 2.7559	60 2.3622	80 3.1496	150 5.9056	320 12.5984	90 3.5433	32 1.2598	61 2.4016	95 3.7401	130 5.1181	185 7.2835	262 10.3150	M20	1314	21314 22314	AN13	AW13	ZF13	ZF18	150x13 150x10	2 1
SNZ SSNZ 315	75 2.9527	65 2.5591	85 3.3465	160 6.2993	345 13.5827	100 3.9370	35 1.3780	65 2.5591	100 3.9370	140 5.5118	195 7.6772	290 11.4173	M20	1315 2315	21315 22315	AN15	AW15	ZF15	ZF19	160x14 160x10	2 1
SNZ SSNZ 316	80 3.1496	70 2.7559	90 3.5433	170 6.6930	345 13.5827	100 3.9370	35 1.3780	68 2.6772	112 4.4094	145 5.7087	212 8.3465	290 11.4173	M20	1316 2316	21316 22316	AN16	AW16	ZF16	ZF20	170x14.5 170x10	2 1
SNZ SSNZ 317	85 3.3464	75 2.9528	95 3.7402	180 7.0867	380 14.9606	110 4.3307	40 1.5748	70 2.7560	112 4.4094	155 6.1024	218 8.5827	320 12.5984	M24	1317 2317	21317 22317	AN17	AW17	ZF17	ZF21	180x14.5 180x10	2 1
SNZ SSNZ 318	90 3.5433	80 3.1496	100 3.9370	190 7.4804	400 15.7480	110 4.3307	33 1.2992	74 2.9134	112 4.4094	160 6.2992	230 9.0551	320 12.5984	M24	1318 2318	21318 22318	AN18	AW18	ZF18	ZF22	190x15.5 190x10	2 2
SNZ SSNZ 319	95 3.7401	85 3.3465	110 4.3307	200 7.8741	420 16.5354	120 4.7244	36 1.4173	77 3.0316	125 4.9212	170 6.6929	245 9.6457	350 13.7795	M24	1319 2319	21319 22319	AN19	AW19	ZF19	ZF24	200x16 200x10	2 1
SNZ SSNZ 320	100 3.9370	90 3.5433	115 4.5276	215 8.4646	420 16.5354	120 4.7244	38 1.4961	83 3.2678	140 5.5118	175 6.8898	280 11.0236	350 13.7795	M24	1320 2320	21320 22320	AN20	AW20	ZF20	ZF26	215x18 215x10	2 1
SNZ SSNZ 322	110 4.3307	100 3.9370	125 4.9213	240 9.4489	460 18.1102	130 5.1181	40 1.5748	90 3.5434	150 5.9055	190 7.4803	300 11.8110	390 15.3543	M24	-	22322	AN22	AW22	ZF22	ZF28	240x20 240x10	2 1
SNZ SSNZ 324	120 4.7244	110 4.3307	135 5.3150	260 10.2363	540 21.2598	160 6.2992	50 1.9685	96 3.7796	160 6.2992	205 8.0709	325 12.7953	450 17.7165	M30	-	22324	AN24	AW24	ZF24	ZF30	260x10	1
SNZ SSNZ 326	130 5.1181	115 4.5276	150 5.9055	280 11.0237	560 22.0472	160 6.2992	50 1.9685	103 4.0552	170 6.6929	215 8.4646	350 13.7795	470 18.5039	M30	-	22326	AN26	AW26	ZF26	ZF34	280x10	1
SNZ SSNZ 328	140 5.5118	125 4.9213	160 6.2992	300 11.8111	630 24.8031	170 6.6929	55 2.1654	112 4.4095	180 7.0866	235 9.2520	375 14.7638	520 20.4724	M30	-	22328	AN28	AW28	ZF28	ZF36	300x10	1
SNZ SSNZ 330	150 5.9055	135 5.3150	170 6.6929	320 12.5985	680 26.7717	180 7.0866	55 2.1654	118 4.6457	190 7.4803	245 9.6457	395 15.5512	560 22.0472	M30	-	22330	AN30	AW30	ZF30	ZF38	320x10	1
SNZ SSNZ 332	160 6.2992	140 5.5118	180 7.0866	340 13.3859	710 27.9528	190 7.4803	60 2.3622	124 4.8819	200 7.8740	255 10.0394	415 16.3386	580 22.8346	M36	-	22332	AN32	AW32	ZF32	ZF40	340x10	1