

ID Code	
ID Code	ID mm
00	10
01	12
02	15
03	17
04	20
/22	22
05	25
/28	28
06	30
/32	32
07	35
.....

6

3

08

2RS

V2

P5

Size designation:

- 0: designate extra light series 60xx
- 2: designate light series 62xx
- 3: designate medium light series 63xx
- 4: designate heavy series 64xx
- 8: designate super light series 64xx
- 9: designate super light series 69xx

V: Noise & vibration grade

- /V1: Adhere to vibration standard value of V1
- /V2: Adhere to vibration standard value of V2
- /V3: Adhere to vibration standard value of V3
- EMQ: Standard electric motor quality
- EMQ6: Standard EMQ quiet running
- EMQ5: Special EMQ exceptionally quiet running

Tolerance class:

- /P0: Equals tolerance class ABEC1
- /P6: Equals tolerance class ABEC3
- /P5: Equals tolerance class ABEC5
- /P4: Equals tolerance class ABEC7

Clearance:

- /C2: Less than nominal clearance
- /C0: Nominal clearance, omitted in designation
- /C3: Larger clearance, than C0
- /C4: Larger clearance, than C3
- /C5: Larger clearance, than C4

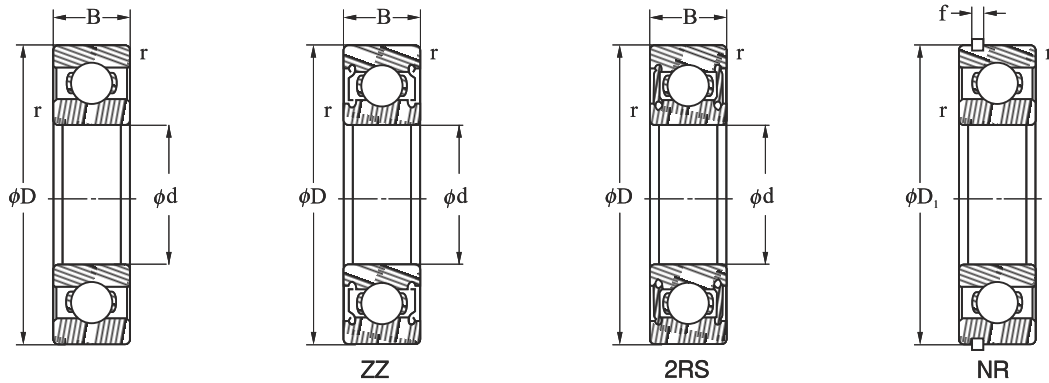
Working temperature:

- /S0: Working temperature is up to 150 °C
- /S1: Working temperature is up to 200 °C
- /S2: Working temperature is up to 250 °C
- /S3: Working temperature is up to 300 °C
- /S4: Working temperature is up to 350 °C

Designs, Types and Features

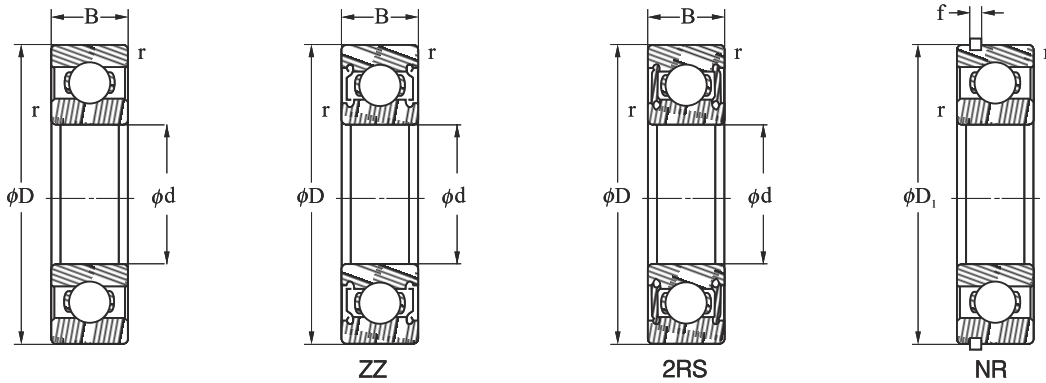
- RS: One seal - contact type
- 2RS: Two seal - contact type
- RZ: One non - contact seals
- 2RZ: Two non - contact seals
- Z: One shield
- ZZ: Two shields
- N: Snap ring groove on the outer ring
- M: Solid brass retainer
- NR: W/snap ring on outer ring
- TN: Glass-fiber reinforced nylon cage

DEEP GROOVE BALL BEARINGS



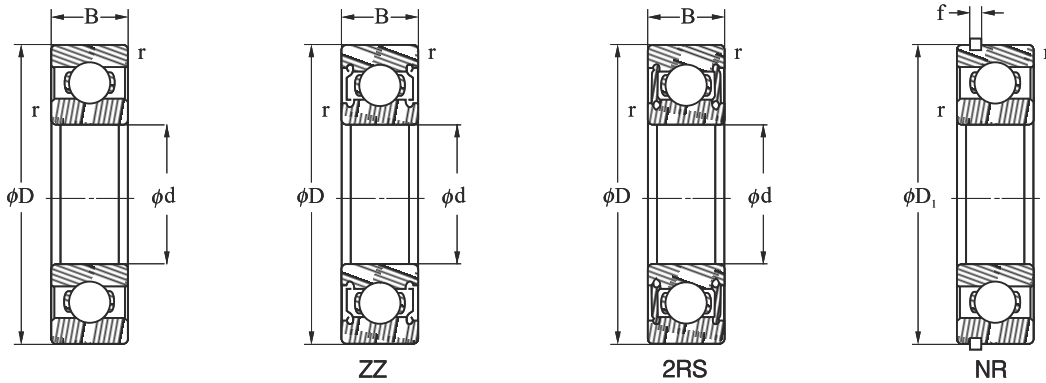
Principal dimensions mm (in)				Weight kg (lb)	Bearing Number				Basic Load Rating kN (lbf)		Limiting Speed (rpm)	
d	D	B	r _{min}		Open	W/Shields	W/Seals	W/Snap Ring	Dynamic Cr	Static Cor	Grease	Oil
10 0.3937	19	5	0.3	0.005	6800	ZZ	2RS		1.65	0.89	30000	36000
	0.7480	0.196	0.0118	0.011					370	200		
	22	6	0.3	0.009	6900	ZZ	2RS		2.43	1.22	29000	34000
	0.8661	0.236	0.0118	0.020					550	270		
	26	8	0.3	0.018	6000	ZZ	2RS	NR	4.10	1.88	28000	32000
	1.0236	0.314	0.0118	0.040					922	420		
12 0.4724	30	9	0.6	0.032	6200	ZZ	2RS	NR	4.59	2.39	24000	29000
	1.1811	0.354	0.0236	0.071					1030	540		
	35	11	0.6	0.052	6300	ZZ	2RS	NR	7.38	3.36	22000	26000
	1.3779	0.433	0.0236	0.115					1660	760		
	21	5	0.3	0.006	6801	ZZ	2RS		1.73	1.00	28000	33000
	0.8267	0.196	0.0118	0.013					390	230		
15 0.5905	24	7	0.3	0.010	6901	ZZ	2RS		2.60	1.40	26000	30000
	0.9448	0.236	0.0118	0.022					590	320		
	28	7	0.3	0.019	16001	ZZ	2RS		4.59	2.29	25000	29000
	1.1023	0.275	0.0118	0.042					1030	520		
	28	8	0.3	0.022	6001	ZZ	2RS	NR	4.59	2.29	25000	29000
	1.1023	0.314	0.0118	0.049					1030	520		
	32	10	0.6	0.037	6201	ZZ	2RS	NR	5.49	2.75	21000	25000
	1.2598	0.393	0.0236	0.082					1240	620		
	37	12	1.0	0.060	6301	ZZ	2RS	NR	8.73	4.03	19000	23000
	1.4566	0.472	0.0394	0.132					1960	910		
17 0.6692	24	5	0.3	0.007	6802	ZZ	2RS		1.87	1.21	25000	29000
	0.9448	0.196	0.0118	0.015					420	270		
	28	7	0.3	0.015	6902	ZZ	2RS		3.69	1.98	23000	27000
	1.1023	0.275	0.0118	0.033					830	450		
	32	8	0.3	0.027	16002	ZZ	2RS		5.04	2.73	21000	25000
	1.2598	0.314	0.0118	0.060					1130	610		
	32	9	0.3	0.031	6002	ZZ	2RS	NR	5.04	2.73	21000	25000
	1.2598	0.354	0.0118	0.068					1130	610		
20 0.7874	35	11	0.6	0.045	6202	ZZ	2RS	NR	6.98	3.60	18000	22000
	1.3779	0.433	0.0236	0.099					1570	810		
	42	13	1.0	0.083	6302	ZZ	2RS	NR	10.26	5.23	16000	20000
	1.6535	0.511	0.0394	0.183					2310	1180		
	26	5	0.3	0.007	6803	ZZ	2RS		2.53	1.65	23000	27000
	1.0236	0.196	0.0118	0.015					570	370		
	30	7	0.3	0.017	6903	ZZ	2RS		4.46	2.48	21000	25000
	1.1811	0.275	0.0118	0.037					1000	560		
22 0.8661	35	8	0.3	0.033	1603	ZZ	2RS		6.12	3.22	19000	23000
	1.3779	0.314	0.0118	0.073					1380	720		
	35	10	0.3	0.041	6003	ZZ	2RS	NR	6.12	3.22	19000	23000
	1.3779	0.393	0.0118	0.090					1380	720		
	40	12	0.6	0.067	6203	ZZ	2RS	NR	8.64	4.60	17000	20000
	1.5748	0.472	0.0236	0.148					1940	1040		
	47	14	1.0	0.113	6303	ZZ	2RS	NR	12.15	6.29	15000	18000
	1.8503	0.551	0.0394	0.229					2730	1420		
25 0.9842	32	7	0.3	0.017	6804	ZZ	2RS		3.60	2.37	20000	24000
	1.2598	0.275	0.0118	0.037					810	530		
	37	9	0.3	0.037	6904	ZZ	2RS		5.76	3.55	18000	22000
	1.4566	0.354	0.0118	0.082					1300	800		
	42	8	0.3	0.048	16004	ZZ	2RS		7.11	4.32	17000	20000
	1.6535	0.314	0.0118	0.106					1600	970		
	42	12	0.6	0.068	6004	ZZ	2RS	NR	8.46	4.85	17000	20000
	1.6535	0.472	0.0236	0.150					1900	1090		
	47	14	1.0	0.107	6204	ZZ	2RS	NR	11.52	6.65	15000	17000
	1.8503	0.551	0.0394	0.236					2590	1500		
25 0.9842	52	15	1.1	0.145	6304	ZZ	2RS	NR	14.31	7.58	13000	16000
	2.0472	0.590	0.0433	0.320					3220	1710		
	44	12	0.6	0.074	60/22	ZZ	2RS		8.46	4.85	16000	19000
	1.7322	0.472	0.0236	0.163					1900	1090		
25 0.9842	50	14	1.0	0.119	62/22	ZZ	2RS		11.61	5.84	13000	16000
	1.9685	0.551	0.0394	0.262					2610	1310		
	56	16	1.1	0.179	63/22	ZZ	2RS		16.56	8.88	12000	14000
	2.2047	0.629	0.0433	0.395					3730	2000		
25 0.9842	37	7	0.3	0.021	6805	ZZ	2RS		3.87	2.83	17000	20000
	1.4566	0.275	0.0118	0.046					870	640		
	42	9	0.3	0.042	6905	ZZ	2RS		6.35	4.37	15000	18000
	1.6535	0.354	0.0118	0.093					1430	980		
	47	8	0.3	0.059	16005	ZZ	2RS		7.52	4.90	14000	17000
1.8503	0.314	0.0118	0.130					1690	1100			
25 0.9842	47	12	0.6	0.079	6005	ZZ	2RS	NR	9.09	5.62	14000	17000
	1.8503	0.472	0.0236	0.174					2050	1260		

DEEP GROOVE BALL BEARINGS



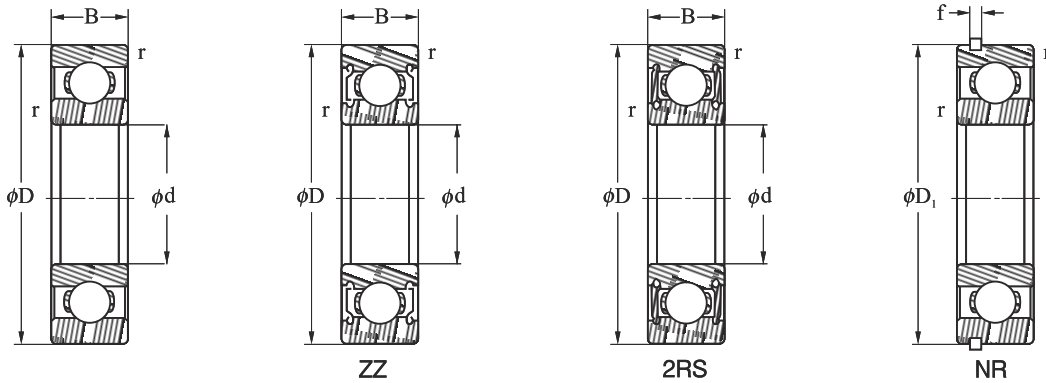
Principal dimensions mm (in)				Weight kg (lb)	Bearing Number				Basic Load Rating kN (lbF)		Limiting Speed (rpm)	
d	D	B	r _{min}		Open	W/Shields	W/Seals	W/Snap Ring	Dynamic Cr	Static Cor	Grease	Oil
25 0.9842	52 2.0472	15 0.5905	1.0 0.039	0.129 0.284	6205	ZZ	2RS	NR	12.60 2840	7.54 1700	12000	14000
	62 2.4409	17 0.6692	1.1 0.043	0.235 0.518	6305	ZZ	2RS	NR	19.08 4290	10.46 2350	11000	13000
28 1.1023	52 2.0472	12 0.4724	0.6 0.023	0.096 0.212	60/28	ZZ	2RS	NR	11.25 2530	7.10 1600	13000	15000
	58 2.2834	16 0.6299	1.0 0.039	0.175 0.386	62/28	ZZ	2RS	NR	16.11 3620	9.36 2110	11000	13000
	68 2.6771	18 0.7086	1.1 0.043	0.287 0.633	63/28	ZZ	2RS	NR	24.03 5410	13.44 3020	10000	12000
30 1.1811	42 1.6535	7 0.2755	0.3 0.011	0.024 0.053	6806	ZZ	2RS		4.23 950	3.50 790	14000	17000
	47 1.8503	9 0.3543	0.3 0.011	0.052 0.115	6906	ZZ	2RS		6.53 1470	4.80 1080	13000	16000
	55 2.1653	9 0.3543	0.3 0.011	0.087 0.192	16006	ZZ	2RS		10.08 2270	7.06 1590	12000	14000
	55 2.1653	13 0.5118	1.0 0.039	0.116 0.256	6006	ZZ	2RS	NR	11.88 2670	7.97 1790	12000	14000
	62 2.4409	16 0.6299	1.0 0.039	0.199 0.439	6206	ZZ	2RS	NR	17.55 3950	10.85 2440	10000	12000
	72 2.8346	19 0.7480	1.1 0.043	0.345 0.761	6206	ZZ	2RS	NR	24.03 5410	14.40 3240	9500	11000
	72 2.8346	19 0.7480	1.1 0.043	0.345 0.761	6306	ZZ	2RS	NR	24.03 5410	14.40 3240	9500	11000
32 1.2598	58 2.2834	13 0.5118	1.0 0.039	0.122 0.269	60/32	ZZ	2RS		13.59 3060	8.78 1780	11000	14000
	65 2.5590	17 0.6692	1.0 0.039	0.225 0.496	62/32	ZZ	2RS		18.63 4190	11.14 2510	10000	11000
	75 2.9527	20 0.7874	1.1 0.043	0.389 0.858	63/32	ZZ	2RS	NR	26.82 6030	16.22 3650	9000	10000
	75 2.9527	20 0.7874	1.1 0.043	0.389 0.858	63/32	ZZ	2RS	NR	26.82 6030	16.22 3650	9000	10000
35 1.3779	47 1.8503	7 0.2755	0.3 0.011	0.027 0.060	6807	ZZ	2RS		4.41 990	3.89 880	12000	15000
	55 2.1653	10 0.3937	0.6 0.023	0.075 0.165	6907	ZZ	2RS		10.08 2270	7.15 1610	11000	14000
	62 2.4409	9 0.3543	0.3 0.011	0.107 0.236	16007	ZZ	2RS		10.53 2370	7.87 1770	11000	13000
	62 2.4409	14 0.5511	1.0 0.039	0.151 0.333	6007	ZZ	2RS	NR	14.40 3240	9.89 2230	11000	13000
	72 2.8346	17 0.6692	1.1 0.043	0.284 0.626	6207	ZZ	2RS	NR	23.13 5200	14.69 3310	9300	10000
	80 3.1496	41 1.6141	1.5 0.059	0.464 1.023	6307	ZZ	2RS	NR	30.15 6780	18.34 4130	8400	9500
	80 3.1496	41 1.6141	1.5 0.059	0.464 1.023	6307	ZZ	2RS	NR	30.15 6780	18.34 4130	8400	9500
40 1.5748	52 2.0472	7 0.2755	0.3 0.011	0.031 0.068	6808	ZZ	2RS		4.59 1030	4.22 950	11000	13000
	62 2.4409	12 0.4724	0.6 0.023	0.112 0.247	6908	ZZ	2RS		13.14 2960	9.79 2200	10000	12000
	68 2.6771	9 0.3543	0.3 0.011	0.130 0.287	16008	ZZ	2RS		11.34 2550	9.26 2080	9500	11000
	68 2.6771	15 0.5905	1.0 0.039	0.190 0.419	6008	ZZ	2RS	NR	15.12 3400	11.04 2480	9500	11000
	80 3.1496	18 0.7086	1.1 0.043	0.366 0.807	6208	ZZ	2RS	NR	26.19 5890	17.09 3850	8300	9500
	90 3.5433	23 0.9055	1.5 0.059	0.636 1.402	6308	ZZ	2RS	NR	36.45 8200	23.04 5180	7400	8700
	90 3.5433	23 0.9055	1.5 0.059	0.636 1.402	6308	ZZ	2RS	NR	36.45 8200	23.04 5180	7400	8700
45 1.7716	58 2.2834	7 0.2755	0.3 0.011	0.038 0.084	6809	ZZ	2RS		5.76 1300	5.42 1220	10000	11000
	68 2.6771	12 0.4724	0.6 0.023	0.126 0.278	6909	ZZ	2RS		13.59 3060	10.75 2420	9300	11000
	75 2.9527	10 0.3937	0.6 0.023	0.167 0.368	16009	ZZ	2RS		11.61 2610	10.08 2270	8700	10000
	75 2.9527	16 0.6299	1.0 0.039	0.241 0.531	6009	ZZ	2RS	NR	18.90 4250	14.50 3260	8700	10000
	85 3.3464	19 0.7480	1.1 0.043	0.420 0.926	6209	ZZ	2RS	NR	29.25 6580	19.58 4410	7400	8700
	100 3.9370	25 0.9842	1.5 0.059	0.829 1.828	6309	ZZ	2RS	NR	47.70 10730	30.72 6910	6700	7800
	100 3.9370	25 0.9842	1.5 0.059	0.829 1.828	6309	ZZ	2RS	NR	47.70 10730	30.72 6910	6700	7800
50 1.9685	65 2.5590	7 0.2755	0.3 0.011	0.050 0.110	6810	ZZ	2RS		5.94 1340	5.86 1320	9100	10000
	72 2.8346	12 0.4724	0.6 0.023	0.135 0.298	6910	ZZ	2RS		14.04 3160	11.71 2630	8500	10000
	80 3.1496	10 0.3937	0.6 0.023	0.175 0.386	16010	ZZ	2RS		11.88 2670	10.85 2440	8000	9300
	80 3.1496	16 0.6299	1.0 0.039	0.261 0.576	6010	ZZ	2RS	NR	19.62 4410	15.94 3590	8000	9300

DEEP GROOVE BALL BEARINGS



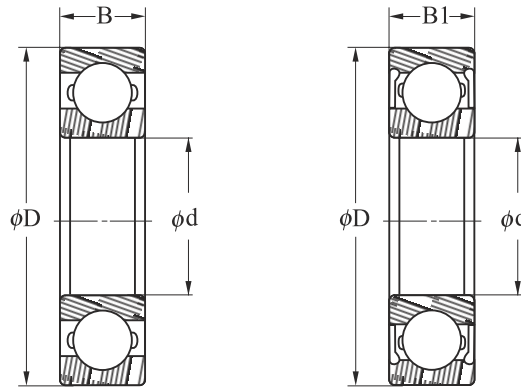
Principal dimensions mm (in)				Weight kg (lb)	Bearing Number				Basic Load Rating kN (lbf)		Limiting Speed (rpm)	
d	D	B	r _{min}		Open	W/Shields	W/Seals	W/Snap Ring	Dynamic Cr	Static Cor	Grease	Oil
50 1.9685	90 3.5433	20 0.7874	1.1 0.043	0.459 1.012	6210	ZZ	2RS	NR	31.50 790	22.37 5030	6700	7900
	110 4.3307	27 1.0629	2.0 0.079	1.060 2.337	6310	ZZ	2RS	NR	55.80 12560	36.96 8320	6100	7100
	72 2.8346	9 0.3543	0.3 0.012	0.081 0.179	6811	ZZ	2RS		7.92 1780	7.78 1750	8300	9500
55 2.1653	80 3.1496	13 0.5118	1.0 0.039	0.189 0.417	6911	ZZ	2RS		14.40 3240	12.77 2870	7800	9100
	90 3.5433	11 0.4330	0.6 0.024	0.257 0.557	16011	ZZ	2RS		16.74 3770	14.69 3310	7300	8600
	90 3.5433	18 0.7086	1.1 0.043	0.381 0.840	6011	ZZ	2RS	NR	25.47 5730	20.35 4580	7300	8600
	100 3.9370	21 0.8267	1.5 0.059	0.619 1.365	6211	ZZ	2RS	NR	39.15 8810	28.03 6310	6100	7200
	120 4.7244	29 1.1417	2.0 0.079	1.370 3.021	6311	ZZ	2RS	NR	64.35 14480	43.20 9720	5500	6500
	78 3.0708	10 0.3937	0.3 0.012	0.103 0.227	6812	ZZ	2RS		10.35 2330	10.18 2290	7600	8900
	85 3.3464	13 0.5118	0.6 0.039	0.192 0.423	6912	ZZ	2RS		14.76 3320	13.73 3090	7200	8500
60 2.3622	95 3.7401	11 0.4330	0.6 0.024	0.281 0.620	16012	ZZ	2RS		18.00 4050	16.80 3780	6700	7900
	95 3.7401	18 0.7086	1.1 0.043	0.412 0.908	6012	ZZ	2RS	NR	26.55 5970	22.27 5010	6700	7900
	110 4.3307	22 0.8661	1.5 0.059	0.783 1.727	6212	ZZ	2RS	NR	47.25 10630	34.56 7780	5700	6700
	130 5.1181	31 1.2204	2.1 0.083	1.720 3.793	6312	ZZ	2RS	NR	73.80 16610	49.92 11230	5100	6000
	85 3.3464	10 0.3937	0.6 0.024	0.128 0.282	6813	ZZ	2RS		10.44 2350	10.56 2380	7000	8300
	90 3.5433	13 0.5118	1.0 0.039	0.218 0.481	6913	ZZ	2RS		15.66 3520	15.46 3480	6700	7800
65 2.5590	100 3.9370	11 0.4330	0.6 0.024	0.300 0.662	16013	ZZ	2RS		18.45 4150	17.95 4040	6200	7300
	100 3.9370	18 0.7086	1.1 0.043	0.439 0.968	6013	ZZ	2RS	NR	27.45 6180	24.19 5470	6200	7300
	120 4.7244	23 0.9055	1.5 0.059	1.000 2.205	6213	ZZ	2RS	NR	51.75 11640	38.40 8640	5200	6200
	140 5.5118	33 1.2992	2.1 0.083	2.110 4.653	6313	ZZ	2RS	NR	83.25 18730	57.60 12960	4700	5500
	90 3.5433	10 0.3937	0.6 0.024	0.134 0.295	6814	ZZ	2RS		10.89 2450	11.42 2570	6600	7700
	100 3.9370	16 0.6299	1.0 0.039	0.349 0.770	6914	ZZ	2RS		21.33 4800	20.35 4580	6200	7300
	110 4.3307	13 0.5118	0.6 0.024	0.441 0.972	16014	ZZ	2RS		21.96 4940	21.70 4880	5800	6700
70 2.7559	110 4.3307	20 0.7874	1.1 0.043	0.608 1.341	6014	ZZ	2RS	NR	34.20 7700	29.76 6700	5800	6700
	125 4.9212	24 0.9448	1.5 0.059	1.090 2.403	6214	ZZ	2RS	NR	55.80 12560	42.24 9500	4800	5700
	150 5.9055	35 1.3779	2.1 0.083	2.570 5.667	6314	ZZ	2RS	NR	93.60 21060	65.28 14690	4400	5100
	95 3.7401	10 0.3937	0.6 0.024	0.149 0.0329	6815	ZZ	2RS		11.25 2530	12.38 2790	6100	7200
	105 4.1338	16 0.6299	1.0 0.039	0.364 0.803	6915	ZZ	2RS		21.96 4940	21.70 4880	5800	6800
75 2.9527	115 4.5275	13 0.5118	0.6 0.024	0.463 1.021	16015	ZZ	2RS		22.50 5060	23.04 5180	5400	6400
	115 4.5275	20 0.7874	1.1 0.043	0.649 1.431	6015	ZZ	2RS	NR	35.55 8000	32.16 7240	5400	6400
	130 5.1181	25 0.9842	1.5 0.059	1.190 2.624	6215	ZZ	2RS	NR	59.40 13370	47.52 10690	4600	5300
	160 6.2992	37 1.4566	2.1 0.083	3.080 6.791	6315	ZZ	2RS	NR	101.70 22880	73.92 16630	4100	4800
	100 3.9370	10 0.3937	0.6 0.024	0.051 0.333	6816	ZZ	2RS		11.43 2570	12.77 2870	5700	6700
	110 4.3307	16 0.6299	1.0 0.039	0.391 0.862	6916	ZZ	2RS		22.41 5040	23.04 5180	5400	6400
	125 4.9212	14 0.5511	0.6 0.024	0.621 1.369	16016	ZZ	2RS		22.86 5140	24.10 5420	5000	5900
80 3.1496	125 4.9212	22 0.8661	1.1 0.043	0.872 1.923	6016	ZZ	2RS	NR	42.75 9620	38.40 8640	5000	5900

DEEP GROOVE BALL BEARINGS



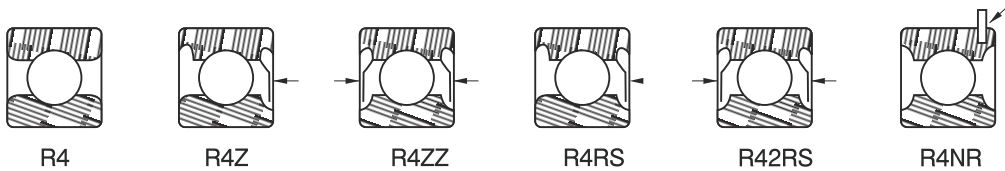
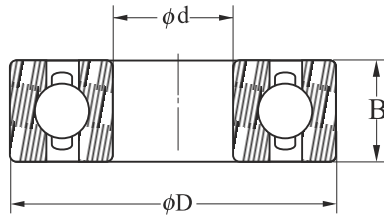
Principal dimensions mm (in)				Weight kg (lb)	Bearing Number				Basic Load Rating kN (lbf)		Limiting Speed (rpm)	
d	D	B	r _{min}		Open	W/Shields	W/Seals	W/Snap Ring	Dynamic Cr	Static Cor	Grease	Oil
80 3.1496	140 5.5118	26 1.0236	2.0 0.079	1.420 3.131	6216	ZZ	2RS	NR	65.25 14680	60.48 13610	4300	5000
	170 6.6929	39 1.5354	2.1 0.083	3.670 8.092	6316	ZZ	2RS	NR	110.70 24910	83.04 18680	3800	4500
	110 4.3307	13 0.5118	1.0 0.039	0.263 0.580	6817	ZZ	2RS		16.83 3790	18.24 4100	5400	6400
85 3.3464	120 4.7244	18 0.7086	1.1 0.043	0.550 1.213	6917	ZZ	2RS		28.80 6480	28.42 6390	5100	6000
	130 5.1181	14 0.5511	0.6 0.024	0.652 1.438	16017	ZZ	2RS		23.31 5240	25.15 5660	4800	5600
	130 5.1181	22 0.8661	1.1 0.043	0.918 2.024	6017	ZZ	2RS	NR	44.55 10020	41.28 9290	4800	5600
	150 5.9055	28 1.1023	2.0 0.079	1.760 3.881	6217	ZZ	2RS	NR	75.15 16910	61.44 13820	4000	4800
	180 7.0866	41 1.6141	3.0 0.118	4.280 9.437	6317	ZZ	2RS	NR	119.70 26930	93.12 20950	3600	4300
	115 4.5275	13 0.5118	1.0 0.039	0.276 0.609	6818	ZZ	2RS		17.10 3850	18.91 4250	5100	6000
	125 4.9212	18 0.7086	1.1 0.043	0.585 1.290	6918	ZZ	2RS		29.70 6680	30.24 6800	4800	5700
90 3.5433	140 5.5118	16 0.6299	1.0 0.039	0.873 1.925	16018	ZZ	2RS		30.15 6780	32.16 7240	4500	5300
	140 5.5118	24 0.9448	1.5 0.059	1.190 2.624	6018	ZZ	2RS	NR	52.20 11750	47.52 10690	4500	5300
	160 6.2992	30 1.1811	2.0 0.079	2.180 4.807	6218	ZZ	2RS	NR	86.40 19440	68.64 15440	3800	4500
	190 7.4803	43 1.6929	3.0 0.118	4.980 10.981	6318	ZZ	2RS	NR	128.70 28960	102.72 23110	3400	4000
	120 4.7244	13 0.5118	1.0 0.039	0.297 0.655	6819	ZZ	2RS		17.37 3910	19.68 4430	4800	5600
95 3.7401	130 5.1181	18 0.7086	1.1 0.043	0.601 1.325	6919	ZZ	2RS		30.15 6780	32.16 7240	4600	5400
	145 5.7086	16 0.6299	1.0 0.039	0.904 1.993	16019	ZZ	2RS		31.05 6990	33.60 7560	4300	5000
	145 5.7086	24 0.9448	1.5 0.059	1.230 2.712	6019	ZZ	2RS	NR	54.45 12250	51.84 11670	4300	5000
	170 6.6929	32 1.2598	2.1 0.083	2.640 5.821	6219	ZZ	2RS	NR	98.10 22070	78.72 17710	3500	4200
	200 7.8740	45 1.7716	3.0 0.118	5.760 12.701	6319	ZZ	2RS	NR	137.70 30980	114.24 25700	3100	3700
	125 4.9212	13 0.5118	1.0 0.039	0.310 0.684	6820	ZZ	2RS	NR	17.64 3970	20.35 4580	4600	5300
	140 5.5118	20 0.7874	1.1 0.043	0.828 1.826	6920	ZZ	2RS	NR	36.90 8300	37.92 8530	4300	5000
100 3.9370	150 5.9055	24 0.9448	1.5 0.059	1.290 2.844	6020	ZZ	2RS	NR	54.00 12150	51.84 11660	4000	4800
	180 7.0866	34 1.3385	2.1 0.083	3.170 6.990	6220	ZZ	2RS	NR	109.80 24710	89.28 20090	3300	4000
	215 8.4645	47 1.8503	3.0 0.118	7.040 15.523	6320	ZZ	2RS	NR	155.70 35030	135.36 30460	3000	3500
	160 6.2992	26 1.0236	2.0 0.079	1.590 3.506	6021	ZZ	2RS	NR	72.50 16310	65.50 14740	4000	4700
	190 7.4803	36 1.4173	2.1 0.083	3.700 8.159	6221	ZZ	2RS	NR	133.00 29930	105.00 23630	3400	4000
110 4.3307	225 8.8582	49 1.9291	3.0 0.118	8.050 17.750	6321	ZZ	2RS		184.00 41400	153.00 34430	3000	3600
	170 6.6929	28 1.1023	2.0 0.079	1.960 4.322	6022	ZZ	2RS	NR	82.00 18450	73.00 16430	3800	4500
	200 7.8740	38 1.4960	2.1 0.083	4.360 9.614	6222	ZZ	2RS	NR	144.00 32400	117.00 26330	3200	3800
	240 9.4488	50 1.9685	3.0 0.118	9.540 21.036	6322	ZZ	2RS		205.00 46130	179.00 40280	2900	3400
120 4.7244	180 7.0866	28 1.1023	2.0 0.079	2.070 4.564	6024	ZZ	2RS	NR	85.00 19130	79.50 17890	4500	4100
	215 8.4645	40 1.5748	2.1 0.083	5.150 11.356	6224	ZZ	2RS		155.00 34880	131.00 29480	2900	3400
	260 10.2362	55 2.1653	3.0 0.118	12.40 27.342	6324				207.00 46580	185.00 41630	2600	3100
130 5.1181	200 7.8740	33 1.2992	2.0 0.079	3.160 6.968	6026	ZZ	2RS	NR	106.00 23850	101.00 22730	3200	3800
	230 9.0551	40 1.5748	3.0 0.118	5.820 12.833	6226				167.00 37580	146.00 32850	2700	3100
	280 11.0236	58 2.2834	4.0 0.157	15.30 33.737	6326				229.00 51530	214.00 48150	2400	2800

MINIATURE BALL BEARINGS



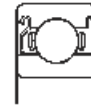
Principal dimensions mm (in)					Weight kg (lb)	Bearing Number		Basic Load Rating kN (lbf)		Limiting Speed (rpm)		
d	D	B	B1	r _{smin}		Open	W/Shields	Dynamic C _r	Static C _{or}	Grease	Oil	
3 0.1181	6 0.2362	2.0 0.0787	2.5 0.0984	0.08 0.003	0.20	673	ZZ	242 54450	94 21150	60000	71000	
	7 0.2755	2.0 0.0787	3.0 0.1181	0.10 0.003	0.33	683	ZZ	390 87750	130 29250	58000	68000	
	8 0.3149	3.0 0.1181	4.0 0.1574	0.15 0.005	0.61	693	ZZ	560 126000	180 40500	54000	63000	
	9 0.3543	3.0 0.1181	5.0 0.1968	0.15 0.005	0.92	603	ZZ	635 142880	219 49280	50000	59000	
	10 0.3937	4.0 0.1574	4.0 0.1574	0.15 0.003	1.60	623	ZZ	640 144000	224 50400	50000	58000	
	4 0.1574	7 0.2755	2.0 0.0787	2.5 0.0984	0.08 0.003	0.28	674	ZZ	269 10020	117 26330	54000	63000
9 0.3543		2.5 0.0984	4.0 0.1574	0.10 0.003	0.67	684	ZZ	640 144000	224 50400	49000	57000	
11 0.4330		4.0 0.1574	4.0 0.1574	0.15 0.005	1.80	694	ZZ	715 160880	276 62100	45000	52000	
12 0.4724		4.0 0.1574	4.0 0.1574	0.20 0.007	2.10	604	ZZ	970 218250	360 81000	43000	51000	
13 0.5118		5.0 0.1968	5.0 0.1968	0.20 0.007	3.20	624	ZZ	1310 294750	490 110250	42000	49000	
16 0.6299		5.0 0.1968	5.0 0.1968	0.30 0.011	5.10	634	ZZ	1760 396000	680 153000	37000	44000	
5 0.1968		8 0.3149	2.0 0.0787	2.5 0.0984	0.08 0.003	0.32	675	ZZ	292 65700	142 31950	49000	57000
		11 0.4330	3.0 0.1181	5.0 0.1968	0.15 0.005	1.10	685	ZZ	715 160880	282 63450	43000	51000
	13 0.5118	4.0 0.1574	4.0 0.1574	0.20 0.007	2.40	695	ZZ	1080 243000	430 96750	40000	47000	
	14 0.5511	5.0 0.1968	5.0 0.1968	0.20 0.007	3.50	605	ZZ	1330 299250	505 113630	39000	46000	
	16 0.6299	5.0 0.1968	5.0 0.1968	0.30 0.011	4.80	625	ZZ	1760 396000	680 153000	37000	44000	
	19 0.7480	6.0 0.2362	6.0 0.2362	0.30 0.011	8.00	635	ZZ	2340 526500	885 199130	34000	40000	
	6 0.2362	10 0.3937	2.5 0.0984	3.0 0.1181	0.10 0.003	0.65	676	ZZ	530 119250	240 54000	43000	51000
13 0.5118		3.5 0.1377	5.0 0.1968	0.15 0.005	1.90	686	ZZ	1080 243000	440 99000	39000	46000	
15 0.5905		5.0 0.1968	5.0 0.1968	0.20 0.007	3.80	696	ZZ	1350 303750	530 119250	37000	44000	
17 0.6692		6.0 0.2362	6.0 0.2362	0.30 0.011	6.00	606	ZZ	2190 492750	865 194630	35000	42000	
19 0.7480		6.0 0.2362	6.0 0.2362	0.30 0.011	8.10	626	ZZ	2340 526500	885 199130	34000	40000	
7 0.2755		11 0.4330	2.5 0.0984	3.0 0.1181	0.10 0.003	0.67	677	ZZ	555 124880	269 60530	40000	47000
	14 0.5511	3.5 0.1377	5.0 0.1968	0.15 0.005	2.10	687	ZZ	1170 263250	510 114750	37000	44000	
	17 0.6692	5.0 0.1968	5.0 0.1968	0.30 0.011	5.20	697	ZZ	1610 262250	715 160880	35000	41000	
	19 0.7480	6.0 0.2362	6.0 0.2362	0.30 0.011	8.00	607	ZZ	2240 504000	910 204750	34000	40000	
	22 0.8661	7.0 0.2755	7.0 0.2755	0.30 0.011	13.00	627	ZZ	3350 753750	1400 315000	32000	37000	
	8 0.3149	12 0.4724	2.5 0.0984	3.5 0.1377	0.10 0.003	0.75	678	ZZ	575 129380	298 67050	38000	45000
16 0.6299		4.0 0.1574	5.0 0.1968	0.20 0.007	3.10	688	ZZ	1260 283500	585 131630	35000	41000	
19 0.7480		6.0 0.2362	6.0 0.2362	0.30 0.011	7.30	698	ZZ	1990 447750	865 194630	33000	39000	
22 0.8661		7.0 0.2755	7.0 0.2755	0.30 0.011	12.00	608	ZZ	3350 753750	1400 315000	32000	37000	
24 0.9448		8.0 0.3149	8.0 0.3149	0.30 0.011	17.00	628	ZZ	4000 900000	1590 357750	31000	36000	
9 0.3543		14 0.5511	3.0 0.1181	4.5 0.1771	0.10 0.003	1.40	679	ZZ	920 20700	465 109130	36000	42000
	17 0.6692	4.0 0.1574	5.0 0.1968	0.20 0.007	3.20	689	ZZ	1720 387000	820 184500	33000	39000	
	20 0.7874	6.0 0.2362	6.0 0.2362	0.30 0.011	8.20	699	ZZ	2480 558000	1090 245250	32000	38000	
	130 5.1181	24 0.9448	7.0 0.2755	7.0 0.2755	14.00	609	ZZ	3400 765000	1450 326250	31000	36000	
	26 1.0236	8.0 0.3149	8.0 0.3149	0.30 0.011	20.00	629	ZZ	4550 1023750	1960 441000	30000	35000	

MINIATURE BALL BEARINGS (INCH SERIES)



BASIC PART NUM- BER	BORE			OUTER DIAMETER			WIDTH		r_{max}	BALLS		STATIC LOAD-LBS N	DYNAMIC LOAD-LBS N
	FRAC.	INCH	TOL.	FRAC.	FRAC.	TOL.	TOL. +.0000 -.0050			NO.	FRAC.		
							OPEN	SEAL/SHIELD					
R2	1/8	.1250	-0.003	3/8	.3750	-0.004	.1562	.1562	.012	7	1/16	49	113
R3	3/16	.1875	-0.003	1/2	.5000	-0.004	.1562	.1960	.012	7	3/32	70	145
R4	1/4	.2500	-0.003	5/8	.6250	-0.004	.1960	.1960	.012	7	1/8	195	385
R4A	1/4	.2501	-0.003	3/4	.7500	-0.004	.2188	.2812	-.016	6	9/54	150	320
R6	3/8	.3750	-0.003	7/8	.8750	-0.004	.2188	.2812	.016	7	5/32	305	570
R8	1/2	.5000	-0.003	1-1/8	1.1250	-0.004	.2500	.3125	-.016	8	3/16	500	885
R10	5/8	.6250	-0.003	1-3/8	1.3750	-0.005	.2812	.3438	.031	9	3/16	565	970
R12	3/4	.7500	-0.004	1-5/8	1.6250	-0.005	.3125	.4375	.031	10	7/32	850	1265
R14	7/8	.8750	-0.004	1-7/8	1.8750	-0.005	.3750	.5000	.031	10	1/4	1110	1735
R16	1	1.0000	-0.004	3	2.0000	-0.005	.3750	.5000	.031	10	1/4	1110	1735
R18	11/8	1.1250	-0.004	2-1/8	2.1250	-0.005	.3750	.5000	.031	11	1/4	1225	1840
R20	1 1/4	1.2500	-0.005	2	2.2500	-0.005	.3750	.5000	.031	12	1/4	1335	1920

Bearing Specifications



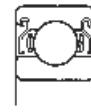
Z



RS



ZX



ZZ



2RS(99R)



ZZK

INCH RLS & RMS SERIES

GEK...XS-2RS

Bearing No.	Bore		Outer Diameter		Width				Radius		Load Rating (KN)		Weight (kg)
	<i>d</i>		<i>D</i>		<i>B</i>				<i>r</i>		Dynamic Cr	Static Cor	
	mm	inch	mm	inch	Open		Sealed		min	inch			
RLS4	12.700	.500	33.338	1.313	9.525	.375	0.8	.031	0.8	.031	6.25	2.80	0.041
RLS5	15.875	.625	39.688	1.563	11.113	.438	0.8	.031	0.8	.031	9.75	4.90	0.068
RLS6	19.050	.750	47.625	1.875	14.288	.563	1.6	.063	1.6	.063	13.10	6.80	0.113
RLS7	22.225	.875	50.800	2.000	14.288	.563	1.6	.063	1.6	.063	14.20	7.85	0.122
RLS8	25.400	1.000	57.150	2.250	15.875	.625	1.6	.063	1.6	.063	18.20	9.85	0.177
RLS9	28.575	1.125	63.500	2.500	15.875	.625	1.6	.063	1.6	.063	19.80	11.50	0.277
RLS 10	31.750	1.250	69.850	2.750	17.463	.688	1.6	.063	1.6	.063	19.90	11.90	0.300
RLS 11	34.925	1.375	76.200	3.000	17.463	.688	1.6	.063	1.6	.063	21.30	13.60	0.350
RLS 12	38.100	1.500	82.550	3.250	19.050	.750	1.6	.063	2.4	.094	29.70	18.20	0.450
RLS 13	41.275	1.625	88.900	3.500	19.050	.750	1.6	.063	2.4	.094	33.30	20.70	0.520
RMS4	12.700	.500	41.275	1.625	15.875	.625	1.6	.063	1.6	.063	9.65	4.50	0.104
RMS5	15.875	.625	46.038	1.813	15.875	.625	1.6	.063	1.6	.063	11.80	5.65	0.122
RMS6	19.050	.750	50.800	2.000	17.462	.688	1.6	.063	1.6	.063	14.10	6.95	0.163
RMS7	22.225	.875	57.150	2.250	17.462	.688	1.6	.063	2.4	.094	18.95	9.55	0.204
RMS8	25.400	1.000	63.500	2.500	19.050	.750	1.6	.063	2.4	.094	21.00	11.50	0.258
RMS9	28.575	1.125	71.438	2.813	20.638	.813	1.6	.063	2.4	.094	27.20	15.30	0.390
RMS 10	31.750	1.250	79.375	3.125	22.225	.875	1.6	.063	2.4	.094	30.60	17.50	0.470

Any combination of closures is available.