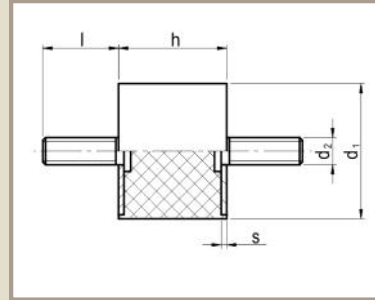


3



- Galvanized
- Stainless
- UNC
- 40 - +80 °C
- RoHS

1

2

4

5

d ₁	h											d ₂	l	s _{min}
6	7	8	10	13	-	-	-	-	-	-	-	M3	6	0,8
8	6	8	10	13	15	-	-	-	-	-	-	M3	6	1
10	6	8	10	12	15	18	20	-	-	-	-	M4	10	1,2
15	6	8	10	12	15	20	25	-	-	-	-	M4	10	1,4
18	6	8,5	10	13	15	-	-	-	-	-	-	M6	18	2
20	6	8	10	13	15	20	25	30	-	-	-	M6	18	2
25	8	10	15	20	25	30	40	-	-	-	-	M6	18	2
30	10	15	20	25	30	35	40	-	-	-	-	M8	20	2
40	10	15	20	25	30	35	40	45	50	-	-	M8	23	2
50	15	20	25	30	35	40	45	50	60	-	-	M10	28	2
60	15	20	25	30	35	40	45	50	60	-	-	M10	28	2
70	20	25	30	35	40	45	50	55	60	70	-	M10	27	3
75	20	25	30	35	40	45	50	55	60	70	-	M12	37	3
80	30	40	50	60	80	-	-	-	-	-	-	M12	37	3
100	25	30	35	40	45	50	55	60	75	100	-	M16	41	3
125	40	55	60	70	75	100	125	-	-	-	-	M16	41	3
150	45	50	55	60	75	100	120	150	-	-	-	M16	41	4
164	75	-	-	-	-	-	-	-	-	-	-	M16	41	4
200	100	-	-	-	-	-	-	-	-	-	-	M20	40	5

Appearance

- Elastomer (default natural rubber, NK)**
 - Operation temperature -40 - +80 °C
 - Should not be used at oil, alkaline, acid
 - You can find other opportunities at the Elastomer
- Hardness (default 55 +/-5 Shore A)**
 - 43 (soft)
 - 55 (medium)
 - 72 (hard)
- Metal insert**
 - ST37 (galvanized, DIN EN 12329 – Fe//Zn12//A)
 - A2 (stainless, AISI 304)
 - A4 (stainless, AISI 316)

Use

Perfect for absorbing vibration generated by pumps, fans, washing machines, electric engines, control cabinets and other industrial and agricultural equipments.

Advantages: easy to assemble, high flexibility, economy, long life.

Cylindrical vibration dampers

1	Diameter (d ₁)
2	Height (h)
3	Type
4	Thread size (d ₂)
5	Thread length (l)
6	Elastomer
7	Hardness
8	Metal quality

40/30-1 M8x23 NK 55 +/-5 SH A, ST37