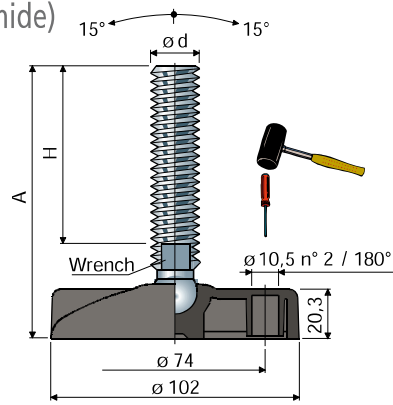


# Articulated feet

(base in reinforced polyamide)



Ø 102 Part. 38

Spindle measures in mm				Spindle material			
ød	A	H	Wrench	Zinc plated steel Code	Stainless steel AISI 304 Code	Stainless steel AISI 316 Code	Max static load (N)
M12	79	43	10	38 / 83166	38 / 83167	-	15000
	99	63	10	38 / 83168	38 / 83169	-	
	114	78	10	38 / 83170	38 / 83171	-	
	129	93	10	38 / 83172	38 / 83173	38 / 85127 <b>NEW</b>	
	159	123	10	38 / 83174	38 / 83175	-	
M14	99	61	12	38 / 83176	38 / 83177	-	18000
	129	91	12	38 / 83178	38 / 83179	-	
	154	116	12	38 / 83180	38 / 83181	-	
M16	100	60	13	38 / 7110	38 / 7111	38 / 85128 <b>NEW</b>	22000
	130	90	13	38 / 7474	38 / 7475	-	
	145	105	13	38 / 7112	38 / 7113	-	
	165	125	13	38 / 7114	38 / 7115	38 / 85129 <b>NEW</b>	
	195	155	13	38 / 7476	38 / 7477	-	
	205	165	13	38 / 7116	38 / 7117	-	
	245	205	13	38 / 83182	38 / 83183	-	
M20	130	86	17	38 / 7118	38 / 7119	-	24000
	160	116	17	38 / 7120	38 / 7121	-	
	185	141	17	38 / 7122	38 / 7123	38 / 85130 <b>NEW</b>	
	250	206	17	38 / 7124	38 / 7125	-	
M24	140	96	19	38 / 7478	38 / 7479	-	26000
	166	122	19	38 / 7126	38 / 7127	-	
	196	152	19	38 / 7128	38 / 7129	-	
	226	182	19	38 / 7130	38 / 7131	-	
344	300	19	38 / 7484	38 / 7485	-		

Spindle measures in inches				Spindle material		Max static load (N)
ød	A	H	Wrench	Zinc plated steel Code	Stainless steel AISI 304 Code	
1/2" -13 UNC	5,44"	4"	7/16"	38 / 83288	38 / 83289	15000
5/8" -11 UNC	8,57"	7"	1/2"	38 / 83290	38 / 83291	22000
3/4" -10 UNC	8,65"	7"	5/8"	38 / 83292	38 / 83293	24000

Base material: Reinforced polyamide black colour.

Box quantity: 24 pieces.

## Accessories

### Anti-slip pads:

- code: 7267;

- material: thermoplastic rubber 68 Shore black colour;

- box quantity: 24 pieces.



Washers UNI 6592-69 - Box quantity: 24 pieces.

øM	M12	M14	M16	M20	M24
Smm	2,5	2,5	3	3	4
ø A mm	24	28	30	37	44
Zinc plated steel codes	7284	7285	7289	7290	7293
Stainless steel codes	7287	7288	7291	7292	7294

Nuts UNI 5588-65 - Box quantity: 24 pieces.

ød	M12	M14	M16	M20	M24
Smm	10	11	13	16	19
Ch. mm	19	22	24	30	36
Zinc plated steel codes	7270	7271	7275	7276	7279
Stainless steel codes	7273	7274	7277	7278	7280

### On request

- Bases: In reinforced polypropylene • other colours • with prebored fixing holes.
- Spindles with: Sunk hexagon head • second wrench seat head • hexagon wrench seat • threads with other pitches and lengths.
- Box quantity: Not standard.
- Assembling of: Anti-slip pads • nuts • washers.