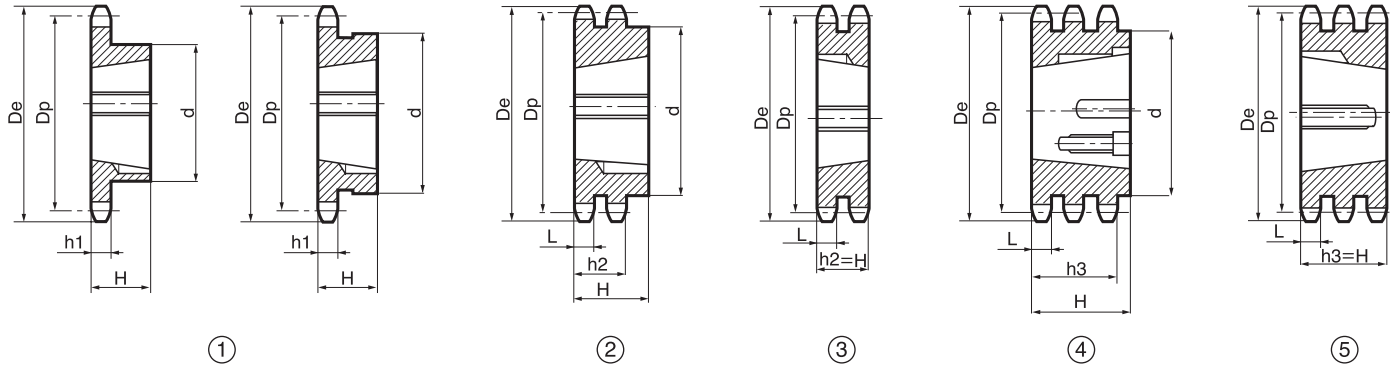


**Pignoni per bussole coniche / Taper bored sprockets**  
**Kettenräder für Taper-Spannbuchsen / Pignons à moyeu amovible**  
**Piñones para casquillos cónicos**



**Versione (\*) / Type (\*)**  
**Typ (\*) / Tipo (\*)**



**3/8" x 7/32" - 9,525 x 5,72 mm**

**06B - 1-2-3 - DIN 8187 - ISO/R 606**

| CATENA:           | CHAIN:         | KETTE:        | CHAÎNE:            | CADENA:       | ISO mm       |
|-------------------|----------------|---------------|--------------------|---------------|--------------|
| Passo             | Pitch          | Teilung       | Pas                | Paso          | <b>9,525</b> |
| Larghezza interna | Internal width | Innere Breite | Largeur interieure | Ancho interno | <b>5,720</b> |
| Rullo ø           | Roller ø       | Rollen ø      | ø du rouleau       | Rodillo ø     | <b>6,350</b> |

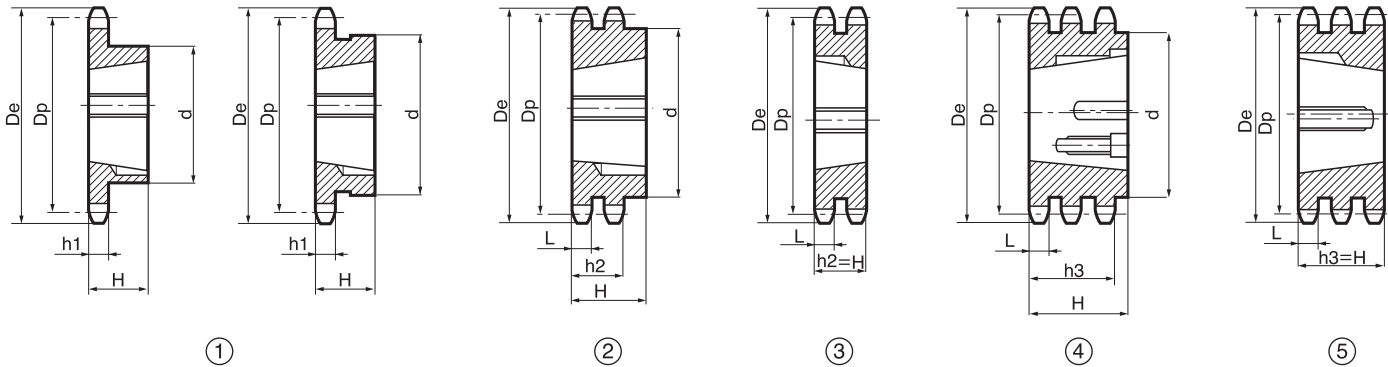
| PIGNONE                     | SPROCKETS                  | KETTENRÄDER               | PIGNONS                         | PIÑONES                     | ISO mm                    |
|-----------------------------|----------------------------|---------------------------|---------------------------------|-----------------------------|---------------------------|
| Raggio dente r              | Tooth radius r             | Radius r                  | Rayon de denture r              | Radio diente r              | <b>r 10,0</b>             |
| Larghezza raggio C          | Radius width C             | Breite C                  | Largeur de rayon C              | Ancho radio C               | <b>C 1,0</b>              |
| Largh. dente h <sub>1</sub> | Tooth width h <sub>1</sub> | Zahnbreite h <sub>1</sub> | Larg. de denture h <sub>1</sub> | Ancho diente h <sub>1</sub> | <b>h<sub>1</sub> 5,3</b>  |
| Largh. dente L              | Tooth width L              | Zahnbreite L              | Larg. de denture L              | Ancho diente L              | <b>L 5,2</b>              |
| Largh. dente h <sub>2</sub> | Tooth width h <sub>2</sub> | Zahnbreite h <sub>2</sub> | Larg. de denture h <sub>2</sub> | Ancho diente h <sub>2</sub> | <b>h<sub>2</sub> 15,4</b> |
| Largh. dente h <sub>3</sub> | Tooth width h <sub>3</sub> | Zahnbreite h <sub>3</sub> | Larg. de denture h <sub>3</sub> | Ancho diente h <sub>3</sub> | <b>h<sub>3</sub> 25,6</b> |

**Acciaio                      Steel                      Stahl                      Acier                      Acero = C45E - UNI EN 10083-1**

| Z   | D <sub>e</sub> | D <sub>p</sub> | Simplex  |     |    |  | Duplex                         |          |    |    | Triplex  |                                |          |    |      |  |                                |
|-----|----------------|----------------|----------|-----|----|--|--------------------------------|----------|----|----|--|--------------------------------|----------|----|------|--|--------------------------------|
|     |                |                | cod.     | d   | H  | per Bussola for Bush für Buchse für Moyeux amovibles para Casquillos cónicos | Esecuz. tipo Type Typ Type Tpo | cod.     | d  | H  | per Bussola for Bush für Buchse für Moyeux amovibles para Casquillos cónicos | Esecuz. tipo Type Typ Type Tpo | cod.     | d  | H    | per Bussola for Bush für Buchse für Moyeux amovibles para Casquillos cónicos | Esecuz. tipo Type Typ Type Tpo |
| 17  | 55,3           | 51,83          | TS 05017 | 45* | 22 | 1008   | 1                              | TD 05017 | 42 | 22 | 1008   | 2                              | TT 05017 | -  | 25,6 | 1008   | 5                              |
| 18  | 58,3           | 54,85          | TS 05018 | 45* | 22 | 1008   | 1                              | TD 05018 | 43 | 22 | 1008   | 2                              | TT 05018 | -  | 25,6 | 1008   | 5                              |
| 19  | 61,3           | 57,87          | TS 05019 | 45  | 22 | 1008   | 1                              | TD 05019 | 46 | 22 | 1008   | 2                              | TT 05019 | -  | 25,6 | 1008   | 5                              |
| 20  | 64,3           | 60,89          | TS 05020 | 46  | 22 | 1008   | 1                              | TD 05020 | 48 | 22 | 1008   | 2                              | TT 05020 | -  | 25,6 | 1008   | 5                              |
| 21  | 68,0           | 63,91          | TS 05021 | 46  | 22 | 1008   | 1                              | TD 05021 | 49 | 22 | 1008   | 2                              | TT 05021 | -  | 25,6 | 1008   | 5                              |
| 22  | 71,0           | 66,93          | TS 05022 | 50  | 22 | 1108   | 1                              | TD 05022 | 52 | 22 | 1108   | 2                              | TT 05022 | -  | 25,6 | 1108   | 5                              |
| 23  | 73,5           | 69,95          | TS 05023 | 63* | 25 | 1210   | 1                              | TD 05023 | 59 | 25 | 1210   | 2                              | TT 05023 | -  | 25,6 | 1210   | 5                              |
| 24  | 77,0           | 72,97          | TS 05024 | 63  | 25 | 1210   | 1                              | TD 05024 | 61 | 25 | 1210   | 2                              | TT 05024 | -  | 25,6 | 1210   | 5                              |
| 25  | 80,0           | 76,02          | TS 05025 | 63  | 25 | 1210   | 1                              | TD 05025 | 64 | 25 | 1210   | 2                              | TT 05025 | -  | 25,6 | 1210   | 5                              |
| 26  | 83,0           | 79,02          | TS 05026 | 63  | 25 | 1210   | 1                              | TD 05026 | 65 | 25 | 1210   | 2                              | TT 05026 | -  | 25,6 | 1210   | 5                              |
| 27  | 86,0           | 82,02          | TS 05027 | 63  | 25 | 1210   | 1                              | TD 05027 | 70 | 25 | 1210   | 2                              | TT 05027 | -  | 25,6 | 1210   | 5                              |
| 28  | 89,0           | 85,07          | TS 05028 | 63  | 25 | 1210   | 1                              | TD 05028 | 70 | 25 | 1210   | 2                              | TT 05028 | -  | 25,6 | 1210   | 5                              |
| 30  | 94,7           | 91,12          | TS 05030 | 63  | 25 | 1210   | 1                              | TD 05030 | 75 | 25 | 1210   | 2                              | TT 05030 | 79 | 38,0 | 1615   | 4                              |
| 38  | 119,5          | 115,35         | TS 05038 | 70  | 25 | 1210   | 1                              | TD 05038 | 80 | 25 | 1610   | 2                              | TT 05038 | 90 | 38,0 | 1615   | 4                              |
| 45  | 140,7          | 136,55         | TS 05045 | 70  | 25 | 1210   | 1                              | TD 05045 | 80 | 25 | 1610   | 2                              |          |    |      |  |                                |
| 57  | 176,9          | 172,91         | TS 05057 | 70  | 25 | 1210   | 1                              | TD 05057 | 80 | 25 | 1610   | 2                              |          |    |      |  |                                |
| 76  | 234,9          | 230,49         | TS 05076 | 70  | 25 | 1210   | 1                              | TD 05076 | 80 | 25 | 1610   | 2                              |          |    |      |  |                                |
| 95  | 292,5          | 288,08         | TS 05095 | 80  | 25 | 1210   | 1                              | TD 05095 | 90 | 25 | 1610   | 2                              |          |    |      |  |                                |
| 114 | 349,5          | 345,68         | TS 05114 | 80  | 38 | 1215   | 1                              | TD 05114 | 95 | 38 | 1615   | 2                              |          |    |      |  |                                |



**Versione (\*) / Type (\*)**  
**Typ (\*) / Tipo (\*)**



**1/2" x 5/16" - 12,7 x 7,75 mm**

**08B - 1-2-3 - DIN 8187 - ISO/R 606**

| CATENA:           | CHAIN:         | KETTE:        | CHAÎNE:            | CADENA:       | ISO mm       |
|-------------------|----------------|---------------|--------------------|---------------|--------------|
| Passo             | Pitch          | Teilung       | Pas                | Paso          | <b>12,07</b> |
| Larghezza interna | Internal width | Innere Breite | Largeur interieure | Ancho interno | <b>7,75</b>  |
| Rullo ø           | Roller ø       | Rollen ø      | ø du rouleau       | Rodillo ø     | <b>8,51</b>  |

| PIGNONE                     | SPROCKETS                  | KETTENRÄDER               | PIGNONS                         | PIÑONES                     | ISO mm                    |
|-----------------------------|----------------------------|---------------------------|---------------------------------|-----------------------------|---------------------------|
| Raggio dente r              | Tooth radius r             | Radius r                  | Rayon de denture r              | Radio diente r              | <b>r 13,0</b>             |
| Larghezza raggio C          | Radius width C             | Breite C                  | Largeur de rayon C              | Ancho radio C               | <b>C 1,3</b>              |
| Largh. dente h <sub>1</sub> | Tooth width h <sub>1</sub> | Zahnbreite h <sub>1</sub> | Larg. de denture h <sub>1</sub> | Ancho diente h <sub>1</sub> | <b>h<sub>1</sub> 7,2</b>  |
| Largh. dente L              | Tooth width L              | Zahnbreite L              | Larg. de denture L              | Ancho diente L              | <b>L 7,0</b>              |
| Largh. dente h <sub>2</sub> | Tooth width h <sub>2</sub> | Zahnbreite h <sub>2</sub> | Larg. de denture h <sub>2</sub> | Ancho diente h <sub>2</sub> | <b>h<sub>2</sub> 21,0</b> |
| Largh. dente h <sub>3</sub> | Tooth width h <sub>3</sub> | Zahnbreite h <sub>3</sub> | Larg. de denture h <sub>3</sub> | Ancho diente h <sub>3</sub> | <b>h<sub>3</sub> 34,9</b> |

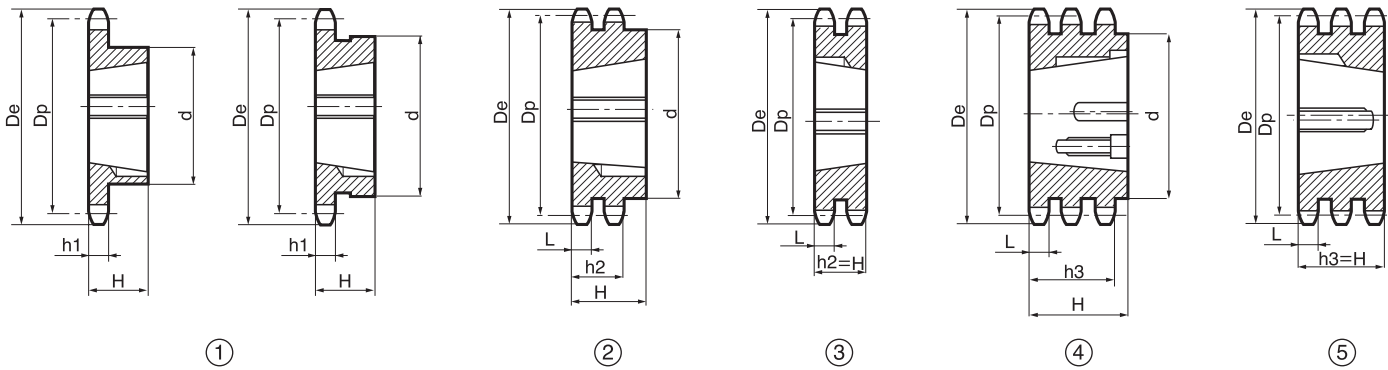
**Acciaio                      Steel                      Stahl                      Acier                      Acero = C45E - UNI EN 10083-1**

| Z   | D <sub>e</sub> | D <sub>p</sub> | Simplex  |     |    |   | Duplex                         |          |     |    | Triplex   |                                |          |   |      |   |                                |  |
|-----|----------------|----------------|----------|-----|----|---|--------------------------------|----------|-----|----|---|--------------------------------|----------|---|------|---|--------------------------------|--|
|     |                |                | cod.     | d   | H  | per Bussola for Bush für Buchse pour Moyeux amovibles para Casquillos cónicos | Esecuz. tipo Type Typ Type Tpo | cod.     | d   | H  | per Bussola for Bush für Buchse pour Moyeux amovibles para Casquillos cónicos | Esecuz. tipo Type Typ Type Tpo | cod.     | d | H    | per Bussola for Bush für Buchse pour Moyeux amovibles para Casquillos cónicos | Esecuz. tipo Type Typ Type Tpo |  |
| 14  | 65,5           | 61,90          | TS 09014 | 45  | 22 | 1008  | 1                              |          |     |    |   |                                |          |   |      |   |                                |  |
| 15  | 65,5           | 61,90          | TS 09015 | 45  | 22 | 1008  | 1                              | TD 09015 | 46  | 22 | 1008  | 2                              | TT 09015 | - | 34,9 | 1008  | 5                              |  |
| 16  | 69,5           | 65,10          | TS 09016 | 50  | 22 | 1108  | 1                              | TD 09016 | 50  | 22 | 1108  | 2                              |          |   |      |   |                                |  |
| 17  | 73,6           | 69,11          | TS 09017 | 60* | 25 | 1210  | 1                              | TD 09017 | 56  | 25 | 1210  | 2                              | TT 09017 | - | 34,9 | 1210  | 5                              |  |
| 18  | 77,8           | 73,14          | TS 09018 | 60* | 25 | 1210  | 1                              | TD 09018 | 60  | 25 | 1210  | 2                              |          |   |      |   |                                |  |
| 19  | 81,7           | 77,16          | TS 09019 | 63  | 25 | 1210  | 1                              | TD 09019 | 62  | 25 | 1210  | 2                              | TT 09019 | - | 34,9 | 1210  | 5                              |  |
| 20  | 85,8           | 81,19          | TS 09020 | 71* | 25 | 1610  | 1                              | TD 09020 | 66  | 25 | 1610  | 2                              |          |   |      |   |                                |  |
| 21  | 89,7           | 85,22          | TS 09021 | 71  | 25 | 1610  | 1                              | TD 05021 | 70  | 25 | 1610  | 2                              | TT 09021 | - | 34,9 | 1610  | 5                              |  |
| 22  | 93,8           | 89,24          | TS 09022 | 71  | 25 | 1610  | 1                              | TD 09022 | 76  | 25 | 1610  | 2                              |          |   |      |   |                                |  |
| 23  | 98,2           | 93,27          | TS 09023 | 76  | 25 | 1610  | 1                              | TD 09023 | 79  | 25 | 1610  | 2                              | TT 09023 | - | 34,9 | 1610  | 5                              |  |
| 24  | 101,8          | 97,29          | TS 09024 | 76  | 25 | 1610  | 1                              | TD 09024 | 84  | 25 | 1610  | 2                              |          |   |      |   |                                |  |
| 25  | 105,8          | 101,33         | TS 09025 | 76  | 25 | 1610  | 1                              | TD 09025 | 87  | 32 | 2012  | 2                              | TT 09025 | - | 34,9 | 2012  | 5                              |  |
| 26  | 110,0          | 105,36         | TS 09026 | 76  | 25 | 1610  | 1                              | TD 09026 | 87  | 32 | 2012  | 2                              |          |   |      |   |                                |  |
| 27  | 114,4          | 109,40         | TS 09027 | 76  | 25 | 1610  | 1                              | TD 09027 | 87  | 32 | 2012  | 2                              | TT 09027 | - | 34,9 | 2012  | 5                              |  |
| 28  | 118,0          | 113,42         | TS 09028 | 90  | 32 | 2012  | 1                              | TD 09028 | 87  | 32 | 2012  | 2                              |          |   |      |   |                                |  |
| 30  | 126,1          | 121,50         | TS 09030 | 90  | 32 | 2012  | 1                              | TD 09030 | 87  | 32 | 2012  | 2                              | TT 09030 | - | 34,9 | 2012  | 5                              |  |
| 38  | 158,6          | 153,80         | TS 09038 | 90  | 32 | 2012  | 1                              | TD 09038 | 100 | 32 | 2012  | 2                              | TT 09038 | - | 34,9 | 2012  | 5                              |  |
| 45  | 188,0          | 182,07         | TS 09045 | 100 | 32 | 2012  | 1                              | TD 09045 | 100 | 32 | 2012  | 2                              |          |   |      |   |                                |  |
| 57  | 236,4          | 230,54         | TS 09057 | 100 | 32 | 2012  | 1                              | TD 09057 | 100 | 32 | 2012  | 2                              |          |   |      |   |                                |  |
| 76  | 313,3          | 307,33         | TS 09076 | 100 | 32 | 2012  | 1                              | TD 09076 | 100 | 32 | 2012  | 2                              |          |   |      |   |                                |  |
| 95  | 390,1          | 384,11         | TS 09095 | 100 | 32 | 2012  | 1                              | TD 09095 | 100 | 32 | 2012  | 2                              |          |   |      |   |                                |  |
| 114 | 466,9          | 460,90         | TS 09114 | 110 | 45 | 2517  | 1                              | TD 09114 | 110 | 45 | 2517  | 2                              |          |   |      |   |                                |  |

**Pignoni per bussole coniche / Taper bored sprockets**  
**Kettenräder für Taper-Spannbuchsen / Pignons à moyeu amovible**  
**Piñones para casquillos cónicos**



Versione (\*) / Type (\*)  
Typ (\*) / Tipo (\*)



**5/8" x 3/8" - 15,875 x 9,65 mm**

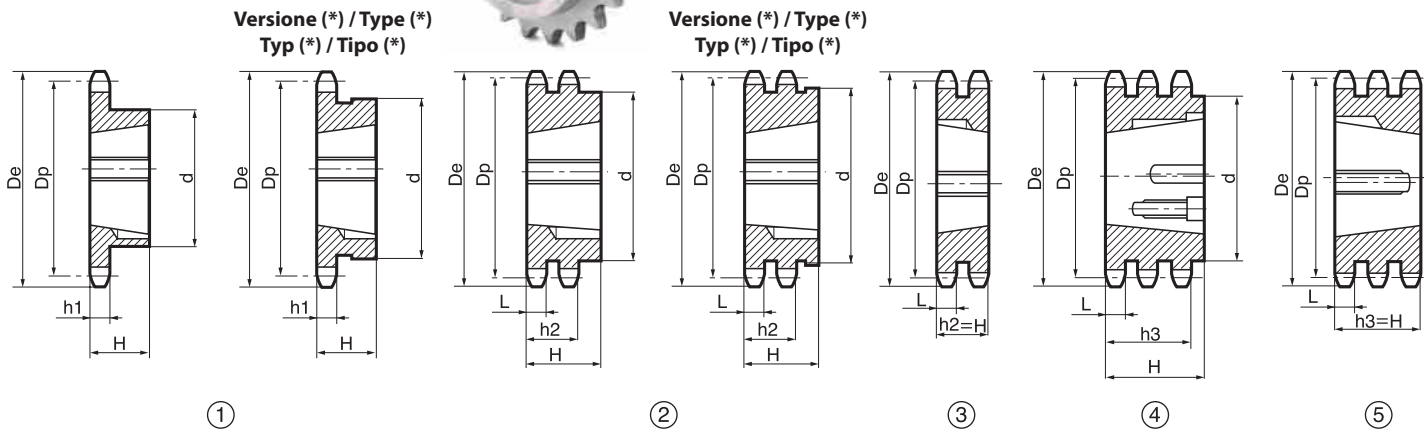
**10B - 1-2-3 - DIN 8187 - ISO/R 606**

| CATENA:           | CHAIN:         | KETTE:        | CHAÎNE:            | CADENA:       | ISO mm        |
|-------------------|----------------|---------------|--------------------|---------------|---------------|
| Passo             | Pitch          | Teilung       | Pas                | Paso          | <b>15,875</b> |
| Larghezza interna | Internal width | Innere Breite | Largeur interieure | Ancho interno | <b>9,650</b>  |
| Rullo ø           | Roller ø       | Rollen ø      | ø du rouleau       | Rodillo ø     | <b>10,160</b> |

| PIGNONE                     | SPROCKETS                  | KETTENRÄDER               | PIGNONS                         | PIÑONES                     | ISO mm                    |
|-----------------------------|----------------------------|---------------------------|---------------------------------|-----------------------------|---------------------------|
| Raggio dente r              | Tooth radius r             | Radius r                  | Rayon de denture r              | Radio diente r              | <b>r 16,0</b>             |
| Larghezza raggio C          | Radius width C             | Breite C                  | Largeur de rayon C              | Ancho radio C               | <b>C 1,6</b>              |
| Largh. dente h <sub>1</sub> | Tooth width h <sub>1</sub> | Zahnbreite h <sub>1</sub> | Larg. de denture h <sub>1</sub> | Ancho diente h <sub>1</sub> | <b>h<sub>1</sub> 9,1</b>  |
| Largh. dente L              | Tooth width L              | Zahnbreite L              | Larg. de denture L              | Ancho diente L              | <b>L 9,0</b>              |
| Largh. dente h <sub>2</sub> | Tooth width h <sub>2</sub> | Zahnbreite h <sub>2</sub> | Larg. de denture h <sub>2</sub> | Ancho diente h <sub>2</sub> | <b>h<sub>2</sub> 25,5</b> |
| Largh. dente h <sub>3</sub> | Tooth width h <sub>3</sub> | Zahnbreite h <sub>3</sub> | Larg. de denture h <sub>3</sub> | Ancho diente h <sub>3</sub> | <b>h<sub>3</sub> 42,1</b> |

**Acciaio Steel Stahl Acier Acero = C45E - UNI EN 10083-1**

| Z   | D <sub>e</sub> | D <sub>p</sub> | Simplex  |     |    |   | Duplex                         |          |     |      | Triplex   |                                |          |     |      |   |                                |  |  |
|-----|----------------|----------------|----------|-----|----|---|--------------------------------|----------|-----|------|---|--------------------------------|----------|-----|------|---|--------------------------------|--|--|
|     |                |                | cod.     | d   | H  | per Bussola for Bush für Buchse pour Moyeux amovibles para Casquillos cónicos | Esecuz. tipo Type Typ Type Tpo | cod.     | d   | H    | per Bussola for Bush für Buchse pour Moyeux amovibles para Casquillos cónicos | Esecuz. tipo Type Typ Type Tpo | cod.     | d   | H    | per Bussola for Bush für Buchse pour Moyeux amovibles para Casquillos cónicos | Esecuz. tipo Type Typ Type Tpo |  |  |
| 13  | 73,0           | 66,32          | TS 10013 | 47  | 22 | 1008  | 1                              | TD 10013 | -   | 25,5 | 1108  | 3                              |          |     |      |   |                                |  |  |
| 14  | 78,0           | 71,34          | TS 10014 | 52  | 22 | 1108  | 1                              |          |     |      |   |                                |          |     |      |   |                                |  |  |
| 15  | 83,0           | 76,36          | TS 10015 | 60  | 25 | 1210  | 1                              | TD 10015 | -   | 25,5 | 1210  | 3                              | TT 10015 | -   | 42,1 | 1210  | 5                              |  |  |
| 16  | 88,0           | 81,37          | TS 10016 | 70* | 25 | 1610  | 1                              |          |     |      |   |                                |          |     |      |   |                                |  |  |
| 17  | 93,0           | 86,36          | TS 10017 | 71* | 25 | 1610  | 1                              | TD 10017 | -   | 25,5 | 1610  | 3                              | TT 10017 | -   | 42,1 | 1210  | 5                              |  |  |
| 18  | 98,3           | 91,42          | TS 10018 | 75  | 25 | 1610  | 1                              |          |     |      |   |                                |          |     |      |   |                                |  |  |
| 19  | 103,3          | 96,45          | TS 10019 | 75  | 25 | 1610  | 1                              | TD 10019 | -   | 25,5 | 1610  | 3                              | TT 10019 | -   | 42,1 | 1615  | 5                              |  |  |
| 20  | 108,4          | 101,49         | TS 10020 | 75  | 25 | 1610  | 1                              | TD 10020 | -   | 25,5 | 1610  | 3                              |          |     |      |   |                                |  |  |
| 21  | 113,4          | 106,52         | TS 10021 | 76  | 25 | 1610  | 1                              | TD 10021 | -   | 25,5 | 1610  | 3                              | TT 10021 | -   | 42,1 | 1615  | 5                              |  |  |
| 22  | 118,0          | 111,55         | TS 10022 | 76  | 25 | 1610  | 1                              | TD 10022 | -   | 25,5 | 1610  | 3                              |          |     |      |   |                                |  |  |
| 23  | 123,4          | 116,58         | TS 10023 | 76  | 25 | 1610  | 1                              | TD 10023 | -   | 25,5 | 1610  | 3                              | TT 10023 | -   | 42,1 | 2012  | 5                              |  |  |
| 24  | 128,3          | 121,62         | TS 10024 | 90  | 32 | 2012  | 1                              |          |     |      |   |                                |          |     |      |   |                                |  |  |
| 25  | 134,0          | 126,66         | TS 10025 | 90  | 32 | 2012  | 1                              | TD 10025 | 90  | 32,0 | 2012  | 2                              | TT 10025 | 105 | 45,0 | 2517  | 4                              |  |  |
| 26  | 139,0          | 131,70         | TS 10026 | 90  | 32 | 2012  | 1                              |          |     |      |   |                                |          |     |      |   |                                |  |  |
| 27  | 144,0          | 136,75         | TS 10027 | 90  | 32 | 2012  | 1                              | TD 10027 | 90  | 32,0 | 2012  | 2                              | TT 10027 | 110 | 45,0 | 2517  | 4                              |  |  |
| 28  | 148,7          | 141,78         | TS 10028 | 90  | 32 | 2012  | 1                              |          |     |      |   |                                |          |     |      |   |                                |  |  |
| 30  | 158,8          | 151,87         | TS 10030 | 90  | 32 | 2012  | 1                              | TD 10030 | 90  | 32,0 | 2012  | 2                              | TT 10030 | 120 | 45,0 | 2517  | 4                              |  |  |
| 38  | 199,2          | 192,24         | TS 10038 | 100 | 32 | 2012  | 1                              | TD 10038 | 108 | 45,0 | 2517  | 2                              |          |     |      |   |                                |  |  |
| 45  | 235,0          | 227,58         | TS 10045 | 100 | 32 | 2012  | 1                              |          |     |      |   |                                |          |     |      |   |                                |  |  |
| 57  | 296,0          | 288,18         | TS 10057 | 100 | 32 | 2012  | 1                              |          |     |      |   |                                |          |     |      |   |                                |  |  |
| 76  | 392,1          | 384,16         | TS 10076 | 100 | 32 | 2012  | 1                              |          |     |      |   |                                |          |     |      |   |                                |  |  |
| 95  | 488,5          | 480,14         | TS 10095 | 110 | 45 | 2517  | 1                              |          |     |      |   |                                |          |     |      |   |                                |  |  |
| 114 | 584,1          | 576,13         | TS 10114 | 110 | 45 | 2517  | 1                              |          |     |      |   |                                |          |     |      |   |                                |  |  |



**3/4" x 7/16" - 19,05 x 11,68 mm**

**12B - 1-2-3 - DIN 8187 - ISO/R 606**

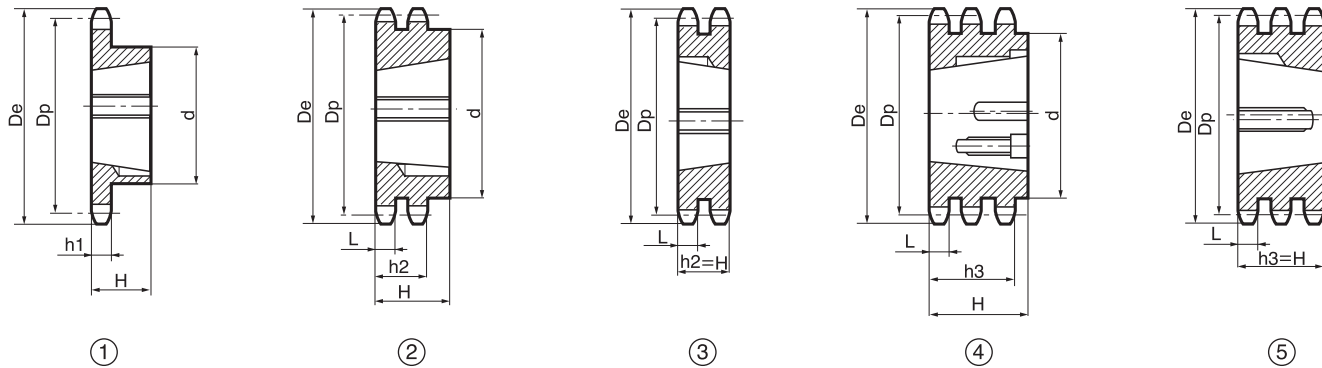
| CATENA:             | CHAIN:               | KETTE:               | CHAÎNE:                  | CADENA:               | ISO mm       |
|---------------------|----------------------|----------------------|--------------------------|-----------------------|--------------|
| Passo               | Pitch                | Teilung              | Pas                      | Paso                  | <b>19,05</b> |
| Larghezza interna   | Internal width       | Innere Breite        | Largeur interieure       | Ancho interno         | <b>11,68</b> |
| Rullo $\varnothing$ | Roller $\varnothing$ | Rollen $\varnothing$ | $\varnothing$ du rouleau | Rodillo $\varnothing$ | <b>12,07</b> |

| PIGNONE            | SPROCKETS         | KETTENRÄDER      | PIGNONS                | PIÑONES            | ISO mm                       |
|--------------------|-------------------|------------------|------------------------|--------------------|------------------------------|
| Raggio dente r     | Tooth radius r    | Radius r         | Rayon de denture r     | Radio diente r     | <b>r 19,0</b>                |
| Larghezza raggio C | Radius width C    | Breite C         | Largeur de rayon C     | Ancho radio C      | <b>C 2,0</b>                 |
| Largh. dente $h_1$ | Tooth width $h_1$ | Zahnbreite $h_1$ | Larg. de denture $h_1$ | Ancho diente $h_1$ | <b><math>h_1</math> 11,1</b> |
| Largh. dente L     | Tooth width L     | Zahnbreite L     | Larg. de denture L     | Ancho diente L     | <b>L 10,8</b>                |
| Largh. dente $h_2$ | Tooth width $h_2$ | Zahnbreite $h_2$ | Larg. de denture $h_2$ | Ancho diente $h_2$ | <b><math>h_2</math> 30,3</b> |
| Largh. dente $h_3$ | Tooth width $h_3$ | Zahnbreite $h_3$ | Larg. de denture $h_3$ | Ancho diente $h_3$ | <b><math>h_3</math> 49,8</b> |

**Acciaio                      Steel                      Stahl                      Acier                      Acero = C45E - UNI EN 10083-1**

| Z   | D <sub>e</sub> | D <sub>p</sub> | Simplex  |     |    |   |                       | Duplex   |      |      |   | Triplex               |          |     |      |   |                       |  |
|-----|----------------|----------------|----------|-----|----|---|-----------------------|----------|------|------|---|-----------------------|----------|-----|------|---|-----------------------|--|
|     |                |                | cod.     | d   | H  | per Bussola for Bush für Buchse pour Moyeux amovibles para Casquillos cónicos | Esecuz. tipo Type Typ | cod.     | d    | H    | per Bussola for Bush für Buchse pour Moyeux amovibles para Casquillos cónicos | Esecuz. tipo Type Typ | cod.     | d   | H    | per Bussola for Bush für Buchse pour Moyeux amovibles para Casquillos cónicos | Esecuz. tipo Type Typ |  |
| 13  | 87,5           | 79,59          | TS 11013 | 60  | 25 | 1210  | 1                     |          |      |      |   |                       |          |     |      |   |                       |  |
| 14  | 93,6           | 85,61          | TS 11014 | 70* | 25 | 1610  | 1                     |          |      |      |   |                       |          |     |      |   |                       |  |
| 15  | 99,8           | 91,63          | TS 11015 | 70  | 25 | 1610  | 1                     | TD 11015 | -    | 30,3 | 1610  | 3                     | TT 11015 | -   | 49,8 | 1615  | 5                     |  |
| 16  | 105,5          | 97,65          | TS 11016 | 75  | 25 | 1610  | 1                     | TD 11016 | -    | 30,3 | 1610  | 3                     |          |     |      |   |                       |  |
| 17  | 111,5          | 103,67         | TS 11017 | 76  | 25 | 1610  | 1                     | TD 11017 | -    | 30,3 | 1610  | 3                     | TT 11017 | -   | 49,8 | 2012  | 5                     |  |
| 18  | 118,0          | 109,71         | TS 11018 | 90  | 32 | 2012  | 1                     | TD 11018 | 90   | 32,0 | 2012  | 2                     |          |     |      |   |                       |  |
| 19  | 124,2          | 115,75         | TS 11019 | 90  | 32 | 2012  | 1                     | TD 11019 | 90   | 32,0 | 2012  | 2                     | TT 11019 | -   | 49,8 | 2012  | 5                     |  |
| 20  | 129,7          | 121,78         | TS 11020 | 90  | 32 | 2012  | 1                     | TD 11020 | 108* | 45,0 | 2517  | 2                     |          |     |      |   |                       |  |
| 21  | 136,0          | 127,82         | TS 11021 | 102 | 45 | 2517  | 1                     | TD 11021 | 108  | 45,0 | 2517  | 2                     | TT 11021 | -   | 49,8 | 2517  | 5                     |  |
| 22  | 141,8          | 133,86         | TS 11022 | 102 | 45 | 2517  | 1                     | TD 11022 | 108  | 45,0 | 2517  | 2                     |          |     |      |   |                       |  |
| 23  | 149,0          | 139,90         | TS 11023 | 108 | 45 | 2517  | 1                     | TD 11023 | 108  | 45,0 | 2517  | 2                     | TT 11023 | -   | 49,8 | 2517  | 5                     |  |
| 24  | 153,9          | 145,94         | TS 11024 | 108 | 45 | 2517  | 1                     | TD 11024 | 108  | 45,0 | 2517  | 2                     |          |     |      |   |                       |  |
| 25  | 160,0          | 152,00         | TS 11025 | 108 | 45 | 2517  | 1                     | TD 11025 | 108  | 45,0 | 2517  | 2                     | TT 11025 | -   | 49,8 | 2517  | 5                     |  |
| 26  | 165,9          | 158,04         | TS 11026 | 108 | 45 | 2517  | 1                     | TD 11026 | 108  | 45,0 | 2517  | 2                     |          |     |      |   |                       |  |
| 27  | 172,3          | 164,00         | TS 11027 | 108 | 45 | 2517  | 1                     | TD 11027 | 108  | 45,0 | 2517  | 2                     | TT 11027 | 140 | 51,0 | 3020  | 4                     |  |
| 28  | 178,0          | 170,13         | TS 11028 | 108 | 45 | 2517  | 1                     | TD 11028 | 108  | 45,0 | 2517  | 2                     |          |     |      |   |                       |  |
| 30  | 190,5          | 182,25         | TS 11030 | 108 | 45 | 2517  | 1                     | TD 11030 | 108  | 45,0 | 2517  | 2                     | TT 11030 | 140 | 51,0 | 3020  | 4                     |  |
| 38  | 239,0          | 230,69         | TS 11038 | 108 | 45 | 2517  | 1                     | TD 11038 | 140  | 51,0 | 3020  | 2                     | TT 11038 | 140 | 51,0 | 3020  | 4                     |  |
| 45  | 282,5          | 273,10         | TS 11045 | 108 | 45 | 2517  | 1                     | TD 11045 | 140  | 51,0 | 3020  | 2                     | TT 11045 | 140 | 51,0 | 3020  | 4                     |  |
| 57  | 355,4          | 345,81         | TS 11057 | 108 | 45 | 2517  | 1                     | TD 11057 | 140  | 51,0 | 3020  | 2                     | TT 11057 | 140 | 51,0 | 3020  | 4                     |  |
| 76  | 469,9          | 460,99         | TS 11076 | 108 | 45 | 2517  | 1                     | TD 11076 | 140  | 51,0 | 3020  | 2                     | TT 11076 | 140 | 51,0 | 3020  | 4                     |  |
| 95  | 585,1          | 576,17         | TS 11095 | 108 | 45 | 2517  | 1                     | TD 11095 | 140  | 51,0 | 3020  | 2                     |          |     |      |   |                       |  |
| 114 | 700,6          | 691,36         | TS 11114 | 108 | 64 | 2525  | 1                     |          |      |      |   |                       |          |     |      |   |                       |  |

**Pignoni per bussole coniche / Taper bored sprockets**  
**Kettenräder für Taper-Spannbuchsen / Pignons à moyeu amovible**  
**Piñones para casquillos cónicos**



**1" x 17,02 mm - 25,4 x 17,2 mm**

**16B - 1-2-3 - DIN 8187 - ISO/R 606**

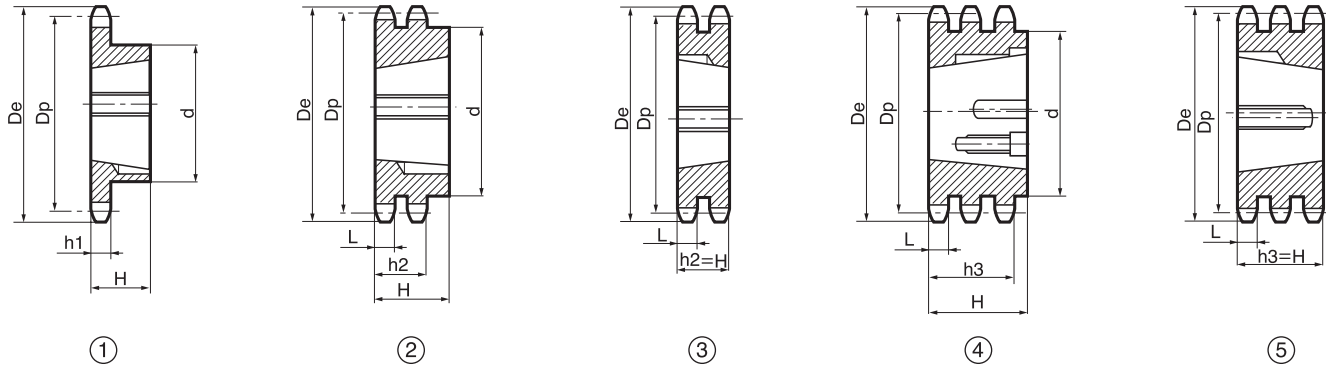
| CATENA:           | CHAIN:         | KETTE:        | CHAÎNE:            | CADENA:       | ISO mm       |
|-------------------|----------------|---------------|--------------------|---------------|--------------|
| Passo             | Pitch          | Teilung       | Pas                | Paso          | <b>25,40</b> |
| Larghezza interna | Internal width | Innere Breite | Largeur interieure | Ancho interno | <b>17,02</b> |
| Rullo ø           | Roller ø       | Rollen ø      | ø du rouleau       | Rodillo ø     | <b>15,88</b> |

| PIGNONE                     | SPROCKETS                  | KETTENRÄDER               | PIGNONS                         | PIÑONES                     | ISO mm                    |
|-----------------------------|----------------------------|---------------------------|---------------------------------|-----------------------------|---------------------------|
| Raggio dente r              | Tooth radius r             | Radius r                  | Rayon de denture r              | Radio diente r              | <b>r 26,0</b>             |
| Larghezza raggio C          | Radius width C             | Breite C                  | Largeur de rayon C              | Ancho radio C               | <b>C 2,5</b>              |
| Largh. dente h <sub>1</sub> | Tooth width h <sub>1</sub> | Zahnbreite h <sub>1</sub> | Larg. de denture h <sub>1</sub> | Ancho diente h <sub>1</sub> | <b>h<sub>1</sub> 16,2</b> |
| Largh. dente L              | Tooth width L              | Zahnbreite L              | Larg. de denture L              | Ancho diente L              | <b>L 15,8</b>             |
| Largh. dente h <sub>2</sub> | Tooth width h <sub>2</sub> | Zahnbreite h <sub>2</sub> | Larg. de denture h <sub>2</sub> | Ancho diente h <sub>2</sub> | <b>h<sub>2</sub> 47,7</b> |
| Largh. dente h <sub>3</sub> | Tooth width h <sub>3</sub> | Zahnbreite h <sub>3</sub> | Larg. de denture h <sub>3</sub> | Ancho diente h <sub>3</sub> | <b>h<sub>3</sub> 79,6</b> |

**Acciaio                      Steel                      Stahl                      Acier                      Acero = C45E - UNI EN 10083-1**

| Z   | D <sub>e</sub> | D <sub>p</sub> | Simplex  |     |    |   | Duplex                         |          |     |       | Triplex   |                                |          |     |      |   |                                |  |
|-----|----------------|----------------|----------|-----|----|---|--------------------------------|----------|-----|-------|---|--------------------------------|----------|-----|------|---|--------------------------------|--|
|     |                |                | cod.     | d   | H  | per Bussola for Bush für Buchse pour Moyeux amovibles para Casquillos cónicos | Esecuz. tipo Type Typ Type Tpo | cod.     | d   | H     | per Bussola for Bush für Buchse pour Moyeux amovibles para Casquillos cónicos | Esecuz. tipo Type Typ Type Tpo | cod.     | d   | H    | per Bussola for Bush für Buchse pour Moyeux amovibles para Casquillos cónicos | Esecuz. tipo Type Typ Type Tpo |  |
| 13  | 117,0          | 106,12         | TS 12013 | 73  | 25 | 1610  | 1                              | TD 12013 | -   | 47,7  | 2012  | 3                              |          |     |      |   |                                |  |
| 14  | 125,0          | 114,15         | TS 12014 | 76  | 25 | 1610  | 1                              |          |     |       |   |                                |          |     |      |   |                                |  |
| 15  | 133,0          | 122,17         | TS 12015 | 76  | 25 | 1610  | 1                              | TD 12015 | -   | 47,7  | 2012  | 3                              |          |     |      |   |                                |  |
| 16  | 141,0          | 130,20         | TS 12016 | 90  | 32 | 2012  | 1                              |          |     |       |   |                                |          |     |      |   |                                |  |
| 17  | 149,0          | 138,22         | TS 12017 | 90  | 32 | 2012  | 1                              | TD 12017 | -   | 47,7  | 2517  | 3                              | TT 12017 | -   | 79,6 | 2517  | 5                              |  |
| 18  | 157,0          | 146,28         | TS 12018 | 108 | 45 | 2517  | 1                              |          |     |       |   |                                |          |     |      |   |                                |  |
| 19  | 165,2          | 154,33         | TS 12019 | 108 | 45 | 2517  | 1                              | TD 12019 | -   | 47,7  | 2517  | 3                              | TT 12019 | -   | 79,6 | 3020  | 5                              |  |
| 20  | 173,2          | 162,38         | TS 12020 | 108 | 45 | 2517  | 1                              |          |     |       |   |                                |          |     |      |   |                                |  |
| 21  | 181,2          | 170,43         | TS 12021 | 110 | 45 | 2517  | 1                              | TD 12021 | 140 | 51,0  | 3020  | 2                              | TT 12021 | -   | 79,6 | 3030  | 5                              |  |
| 22  | 189,3          | 178,48         | TS 12022 | 110 | 45 | 2517  | 1                              |          |     |       |   |                                |          |     |      |   |                                |  |
| 23  | 197,5          | 186,53         | TS 12023 | 110 | 45 | 2517  | 1                              | TD 12023 | 140 | 51,0  | 3020  | 2                              | TT 12023 | -   | 79,6 | 3525  | 5                              |  |
| 24  | 205,5          | 194,59         | TS 12024 | 110 | 45 | 2517  | 1                              |          |     |       |   |                                |          |     |      |   |                                |  |
| 25  | 213,5          | 202,66         | TS 12025 | 110 | 45 | 2517  | 1                              | TD 12025 | 140 | 51,0  | 3020  | 2                              | TT 12025 | -   | 79,6 | 3525  | 5                              |  |
| 26  | 221,6          | 210,72         | TS 12026 | 110 | 45 | 2517  | 1                              |          |     |       |   |                                |          |     |      |   |                                |  |
| 27  | 229,6          | 218,79         | TS 12027 | 110 | 45 | 2517  | 1                              | TD 12027 | 140 | 51,0  | 3020  | 2                              | TT 12027 | -   | 79,6 | 3525  | 5                              |  |
| 28  | 237,7          | 226,85         | TS 12028 | 110 | 45 | 2517  | 1                              |          |     |       |   |                                |          |     |      |   |                                |  |
| 30  | 254,0          | 243,00         | TS 12030 | 140 | 51 | 3020  | 1                              | TD 12030 | 140 | 51,0  | 3020  | 2                              | TT 12030 | -   | 79,6 | 3525  | 5                              |  |
| 38  | 320,7          | 307,59         | TS 12038 | 140 | 51 | 3020  | 1                              | TD 12038 | 140 | 51,0  | 3020  | 2                              | TT 12038 | -   | 79,6 | 3525  | 5                              |  |
| 45  | 377,1          | 364,13         | TS 12045 | 140 | 51 | 3020  | 1                              | TD 12045 | 140 | 51,0  | 3020  | 2                              | TT 12045 | 216 | 79,6 | 4030  | 4                              |  |
| 57  | 474,0          | 461,07         | TS 12057 | 140 | 51 | 3020  | 1                              | TD 12057 | 175 | 65,0  | 3525  | 2                              | TT 12057 | 216 | 79,6 | 4030  | 4                              |  |
| 76  | 627,0          | 614,65         | TS 12076 | 140 | 51 | 3020  | 1                              | TD 12076 | 175 | 65,0  | 3525  | 2                              | TT 12076 | 216 | 79,6 | 4030  | 4                              |  |
| 95  | 781,1          | 768,22         | TS 12095 | 140 | 51 | 3020  | 1                              | TD 12095 | 215 | 65,0  | 3525  | 2                              | TT 12095 | 240 | 79,6 | 4030  | 4                              |  |
| 114 | 934,3          | 921,81         | TS 12114 | 140 | 76 | 3030  | 1                              | TD 12114 | 215 | 102,0 | 4040  | 2                              |          |     |      |   |                                |  |

**Pignoni per bussole coniche / Taper bored sprockets**  
**Kettenräder für Taper-Spannbuchsen / Pignons à moyeu amovible**  
**Piñones para casquillos cónicos**



**1" 1/4 x 3/4" - 31,75 x 19,56 mm**

**20B - 1-2-3 - DIN 8187 - ISO/R 606**

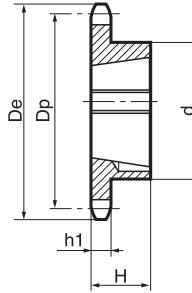
| CATENA:           | CHAIN:         | KETTE:        | CHAÎNE:            | CADENA:       | ISO mm       |
|-------------------|----------------|---------------|--------------------|---------------|--------------|
| Passo             | Pitch          | Teilung       | Pas                | Paso          | <b>31,75</b> |
| Larghezza interna | Internal width | Innere Breite | Largeur interieure | Ancho interno | <b>19,56</b> |
| Rullo ø           | Roller ø       | Rollen ø      | ø du rouleau       | Rodillo ø     | <b>19,05</b> |

| PIGNONE                     | SPROCKETS                  | KETTENRÄDER               | PIGNONS                         | PIÑONES                     | ISO mm                    |
|-----------------------------|----------------------------|---------------------------|---------------------------------|-----------------------------|---------------------------|
| Raggio dente r              | Tooth radius r             | Radius r                  | Rayon de denture r              | Radio diente r              | <b>r 32,0</b>             |
| Larghezza raggio C          | Radius width C             | Breite C                  | Largeur de rayon C              | Ancho radio C               | <b>C 3,5</b>              |
| Largh. dente h <sub>1</sub> | Tooth width h <sub>1</sub> | Zahnbreite h <sub>1</sub> | Larg. de denture h <sub>1</sub> | Ancho diente h <sub>1</sub> | <b>h<sub>1</sub> 18,5</b> |
| Largh. dente L              | Tooth width L              | Zahnbreite L              | Larg. de denture L              | Ancho diente L              | <b>L 18,2</b>             |
| Largh. dente h <sub>2</sub> | Tooth width h <sub>2</sub> | Zahnbreite h <sub>2</sub> | Larg. de denture h <sub>2</sub> | Ancho diente h <sub>2</sub> | <b>h<sub>2</sub> 54,6</b> |
| Largh. dente h <sub>3</sub> | Tooth width h <sub>3</sub> | Zahnbreite h <sub>3</sub> | Larg. de denture h <sub>3</sub> | Ancho diente h <sub>3</sub> | <b>h<sub>3</sub> 91,0</b> |

| Z  | D <sub>e</sub> | D <sub>p</sub> | Acciaio  |     |        |   | Steel                              |         |         |      | Stahl   |                                    |         |   | Acier   |   |                                    |      | Acero = C45E - UNIEN 10083-1 |   |   |                                    |  |
|----|----------------|----------------|----------|-----|--------|---|------------------------------------|---------|---------|------|---|------------------------------------|---------|---|---------|---|------------------------------------|------|------------------------------|---|---|------------------------------------|--|
|    |                |                | Simplex  |     | Duplex |   | Triplex                            |         | Simplex |      | Duplex  |                                    | Triplex |   | Simplex |   | Duplex                             |      | Triplex                      |   |   |                                    |  |
|    |                |                | cod.     | d   | H      | per Bussola / for Bush für Buchse / pour Moyeux amovibles para Casquillos cónicos | Esecuz. tipo / Type Typ / Type Tpo | cod.    | d       | H    | per Bussola / for Bush für Buchse / pour Moyeux amovibles para Casquillos cónicos | Esecuz. tipo / Type Typ / Type Tpo | cod.    | d | H       | per Bussola / for Bush für Buchse / pour Moyeux amovibles para Casquillos cónicos | Esecuz. tipo / Type Typ / Type Tpo | cod. | d                            | H | per Bussola / for Bush für Buchse / pour Moyeux amovibles para Casquillos cónicos | Esecuz. tipo / Type Typ / Type Tpo |  |
| 13 | 147,8          | 132,65         | TS 13013 | 90  | 32     | 2012  | 1                                  | TD13013 | -       | 54,6 | 2517  | 3                                  |         |   |         |   |                                    |      |                              |   |   |                                    |  |
| 14 | 157,8          | 142,68         | TS 13014 | 90  | 32     | 2012  | 1                                  |         |         |      |   |                                    |         |   |         |   |                                    |      |                              |   |   |                                    |  |
| 15 | 167,9          | 152,72         | TS 13015 | 108 | 45     | 2517  | 1                                  | TD13015 | -       | 54,6 | 2517  | 3                                  | TT13015 | - | 91      | 3020  | 5                                  |      |                              |   |   |                                    |  |
| 16 | 177,9          | 162,75         | TS 13016 | 108 | 45     | 2517  | 1                                  |         |         |      |   |                                    |         |   |         |   |                                    |      |                              |   |   |                                    |  |
| 17 | 187,9          | 172,78         | TS 13017 | 108 | 45     | 2517  | 1                                  | TD13017 | -       | 54,6 | 2517  | 3                                  | TT13017 | - | 91      | 3030  | 5                                  |      |                              |   |   |                                    |  |
| 18 | 198,0          | 182,85         | TS 13018 | 108 | 45     | 2517  | 1                                  |         |         |      |   |                                    |         |   |         |   |                                    |      |                              |   |   |                                    |  |
| 19 | 208,1          | 192,91         | TS 13019 | 108 | 45     | 2517  | 1                                  | TD13019 | 140     | 76   | 3030  | 2                                  | TT13019 | - | 91      | 3030  | 5                                  |      |                              |   |   |                                    |  |
| 20 | 218,1          | 202,98         | TS 13020 | 108 | 45     | 2517  | 1                                  |         |         |      |   |                                    |         |   |         |   |                                    |      |                              |   |   |                                    |  |
| 21 | 228,2          | 213,04         | TS 13021 | 108 | 45     | 2517  | 1                                  | TD13021 | 140     | 76   | 3030  | 2                                  | TT13021 | - | 91      | 3535  | 5                                  |      |                              |   |   |                                    |  |
| 22 | 238,3          | 223,11         | TS 13022 | 108 | 45     | 2517  | 1                                  |         |         |      |   |                                    |         |   |         |   |                                    |      |                              |   |   |                                    |  |
| 23 | 248,3          | 233,17         | TS 13023 | 108 | 45     | 2517  | 1                                  | TD13023 | 140     | 76   | 3030  | 2                                  | TT13023 | - | 91      | 3535  | 5                                  |      |                              |   |   |                                    |  |
| 24 | 258,4          | 243,23         | TS 13024 | 108 | 45     | 2517  | 1                                  |         |         |      |   |                                    |         |   |         |   |                                    |      |                              |   |   |                                    |  |
| 25 | 268,5          | 253,33         | TS 13025 | 108 | 45     | 2517  | 1                                  | TD13025 | 140     | 76   | 3030  | 2                                  | TT13025 | - | 91      | 3535  | 5                                  |      |                              |   |   |                                    |  |
| 27 | 288,6          | 273,40         | TS 13027 | 150 | 51     | 3020  | 1                                  |         |         |      |   |                                    |         |   |         |   |                                    |      |                              |   |   |                                    |  |
| 30 | 318,9          | 303,75         | TS 13030 | 150 | 51     | 3020  | 1                                  | TD13030 | 160     | 76   | 3030  | 2                                  | TT13030 | - | 91      | 3535  | 5                                  |      |                              |   |   |                                    |  |
| 38 | 399,6          | 384,49         | TS 13038 | 160 | 51     | 3020  | 1                                  |         |         |      |   |                                    |         |   |         |   |                                    |      |                              |   |   |                                    |  |
| 45 | 470,3          | 455,17         | TS 13045 | 160 | 51     | 3020  | 1                                  |         |         |      |   |                                    |         |   |         |   |                                    |      |                              |   |   |                                    |  |
| 57 | 591,5          | 576,36         | TS 13057 | 160 | 51     | 3020  | 1                                  |         |         |      |   |                                    |         |   |         |   |                                    |      |                              |   |   |                                    |  |
| 76 | 783,5          | 768,32         | TS 13076 | 160 | 51     | 3020  | 1                                  |         |         |      |   |                                    |         |   |         |   |                                    |      |                              |   |   |                                    |  |

**Pignoni per bussole coniche temprati ad induzione sui denti (45 ÷ 55 HRC)**  
**Taper bored sprockets with induction hardened teeth (45 ÷ 55 HRC)**  
**Kettenräder für Spannbuchse mit gehärteten Zähnen (45 ÷ 55 HRC)**  
**Pignons à moyeu amovible avec denture traitée (45 ÷ 55 HRC)**  
**Piñones para casquillos cónicos con dientes tratados (45 ÷ 55 HRC)**



①

Materiale C45E  
UNI EN 10083-1

Material C45E  
UNI EN 10083-1

Werkstoff C45E  
UNI EN 10083-1

Matière C45E  
UNI EN 10083-1

Material C45E  
UNI EN 10083-1

**3/8" x 7/32" - 06B R. 6,35**

| Z  | De   | Dp    | Simplex  |    |    |   | Esecuz. tipo<br>Type<br>Typ<br>Type<br>Typo |
|----|------|-------|----------|----|----|---|---|
|    |      |       | cod.     | d  | H  | per Bussola<br>for Bush<br>für Buchse<br>pour Moyeux amovibles<br>para Casquillos cónicos |   |
| 17 | 55,3 | 51,83 | TS 05T17 | 45 | 22 | 1008  | 1   |
| 18 | 58,3 | 54,85 | TS 05T18 | 45 | 22 | 1008  | 1   |
| 19 | 61,3 | 57,87 | TS 05T19 | 45 | 22 | 1008  | 1   |
| 20 | 64,3 | 60,89 | TS 05T20 | 46 | 22 | 1008  | 1   |
| 21 | 68,0 | 63,91 | TS 05T21 | 46 | 22 | 1008  | 1   |
| 22 | 71,0 | 66,93 | TS 05T22 | 50 | 22 | 1008  | 1   |
| 23 | 73,5 | 69,95 | TS 05T23 | 63 | 25 | 1210  | 1   |
| 24 | 77,0 | 72,97 | TS 05T24 | 63 | 25 | 1210  | 1   |
| 25 | 80,0 | 76,02 | TS 05T25 | 63 | 25 | 1210  | 1   |
| 26 | 83,0 | 79,02 | TS 05T26 | 63 | 25 | 1210  | 1   |
| 27 | 86,0 | 82,02 | TS 05T27 | 63 | 25 | 1210  | 1   |
| 28 | 89,0 | 85,07 | TS 05T28 | 63 | 25 | 1210  | 1   |
| 30 | 94,7 | 91,12 | TS 05T30 | 63 | 25 | 1210  | 1   |

**1/2" x 5/16" - 08B R. 8,51**

| Z  | De    | Dp     | Simplex  |    |    |   | Esecuz. tipo<br>Type<br>Typ<br>Type<br>Typo |
|----|-------|--------|----------|----|----|---|---|
|    |       |        | cod.     | d  | H  | per Bussola<br>for Bush<br>für Buchse<br>pour Moyeux amovibles<br>para Casquillos cónicos |   |
| 15 | 65,5  | 61,90  | TS 09T15 | 45 | 22 | 1008  | 1   |
| 16 | 69,5  | 65,10  | TS 09T16 | 50 | 22 | 1108  | 1   |
| 17 | 73,6  | 69,11  | TS 09T17 | 60 | 25 | 1210  | 1   |
| 18 | 77,8  | 73,14  | TS 09T18 | 60 | 25 | 1210  | 1   |
| 19 | 81,7  | 77,16  | TS 09T19 | 63 | 25 | 1210  | 1   |
| 20 | 85,8  | 81,19  | TS 09T20 | 71 | 25 | 1610  | 1   |
| 21 | 89,7  | 85,22  | TS 09T21 | 71 | 25 | 1610  | 1   |
| 22 | 93,8  | 89,24  | TS 09T22 | 71 | 25 | 1610  | 1   |
| 23 | 98,2  | 93,27  | TS 09T23 | 76 | 25 | 1610  | 1   |
| 24 | 101,8 | 97,29  | TS 09T24 | 76 | 25 | 1610  | 1   |
| 25 | 105,8 | 101,33 | TS 09T25 | 76 | 25 | 1610  | 1   |
| 26 | 110,0 | 105,36 | TS 09T26 | 76 | 25 | 1610  | 1   |
| 27 | 114,4 | 109,40 | TS 09T27 | 76 | 25 | 1610  | 1   |
| 28 | 118,0 | 113,42 | TS 09T28 | 90 | 32 | 2012  | 1   |
| 30 | 126,1 | 121,50 | TS 09T30 | 90 | 32 | 2012  | 1   |

**5/8" x 3/8" - 10B R. 10,16**

| Z  | De    | Dp     | cod.     | d  | H  | per Bussola<br>for Bush<br>für Buchse<br>pour Moyeux amovibles<br>para Casquillos cónicos | Esecuz. tipo<br>Type<br>Typ<br>Type<br>Typo |
|----|-------|--------|----------|----|----|---|---|
| 13 | 73,0  | 66,32  | TS 10T13 | 47 | 22 | 1008  | 1   |
| 14 | 78,0  | 71,34  | TS 10T14 | 52 | 22 | 1108  | 1   |
| 15 | 83,0  | 76,36  | TS 10T15 | 60 | 25 | 1210  | 1   |
| 16 | 88,0  | 81,37  | TS 10T16 | 70 | 25 | 1610  | 1   |
| 17 | 93,0  | 86,36  | TS 10T17 | 71 | 25 | 1610  | 1   |
| 18 | 98,3  | 91,42  | TS 10T18 | 75 | 25 | 1610  | 1   |
| 19 | 103,3 | 96,45  | TS 10T19 | 75 | 25 | 1610  | 1   |
| 20 | 108,4 | 101,49 | TS 10T20 | 75 | 25 | 1610  | 1   |
| 21 | 113,4 | 106,52 | TS 10T21 | 76 | 25 | 1610  | 1   |
| 22 | 118,0 | 111,55 | TS 10T22 | 76 | 25 | 1610  | 1   |
| 23 | 123,4 | 116,58 | TS 10T23 | 76 | 25 | 1610  | 1   |
| 24 | 128,3 | 121,62 | TS 10T24 | 90 | 32 | 1610  | 1   |
| 25 | 134,0 | 126,66 | TS 10T25 | 90 | 32 | 2012  | 1   |
| 26 | 139,0 | 131,70 | TS 10T26 | 90 | 32 | 2012  | 1   |
| 27 | 144,0 | 136,75 | TS 10T27 | 90 | 32 | 2012  | 1   |
| 28 | 148,7 | 141,78 | TS 10T28 | 90 | 32 | 2012  | 1   |
| 30 | 158,8 | 151,87 | TS 10T30 | 90 | 32 | 2012  | 1   |

**3/4" x 7/16" - 12B R. 12,07**

| Z  | De    | Dp     | cod.     | d   | H  | per Bussola<br>for Bush<br>für Buchse<br>pour Moyeux amovibles<br>para Casquillos cónicos | Esecuz. tipo<br>Type<br>Typ<br>Type<br>Typo |
|----|-------|--------|----------|-----|----|---|---|
| 13 | 87,5  | 79,59  | TS 11T13 | 60  | 25 | 1210  | 1   |
| 14 | 93,6  | 85,61  | TS 11T14 | 70  | 25 | 1610  | 1   |
| 15 | 99,8  | 91,63  | TS 11T15 | 70  | 25 | 1610  | 1   |
| 16 | 105,5 | 97,65  | TS 11T16 | 75  | 25 | 1610  | 1   |
| 17 | 111,5 | 103,67 | TS 11T17 | 76  | 25 | 1610  | 1   |
| 18 | 118,0 | 109,71 | TS 11T18 | 90  | 32 | 2012  | 1   |
| 19 | 124,2 | 115,75 | TS 11T19 | 90  | 32 | 2012  | 1   |
| 20 | 129,7 | 121,78 | TS 11T20 | 90  | 32 | 2012  | 1   |
| 21 | 136,0 | 127,82 | TS 11T21 | 102 | 45 | 2517  | 1   |
| 22 | 141,8 | 133,86 | TS 11T22 | 102 | 45 | 2517  | 1   |
| 23 | 149,0 | 139,90 | TS 11T23 | 108 | 45 | 2517  | 1   |
| 24 | 153,9 | 145,94 | TS 11T24 | 108 | 45 | 2517  | 1   |
| 25 | 160,0 | 152,00 | TS 11T25 | 108 | 45 | 2517  | 1   |
| 26 | 165,9 | 158,04 | TS 11T26 | 108 | 45 | 2517  | 1   |
| 27 | 172,3 | 164,00 | TS 11T27 | 108 | 45 | 2517  | 1   |
| 28 | 178,0 | 170,13 | TS 11T28 | 108 | 45 | 2517  | 1   |
| 30 | 190,5 | 182,25 | TS 11T30 | 108 | 45 | 2517  | 1   |

**1" x 17,2 - 16B R. 15,88**

| Z  | De    | Dp     | cod.     | d   | H  | per Bussola<br>for Bush<br>für Buchse<br>pour Moyeux amovibles<br>para Casquillos cónicos | Esecuz. tipo<br>Type<br>Typ<br>Type<br>Typo |
|----|-------|--------|----------|-----|----|---|---|
| 13 | 117,0 | 106,12 | TS 12T13 | 73  | 25 | 1610  | 1   |
| 14 | 125,0 | 114,15 | TS 12T14 | 76  | 25 | 1610  | 1   |
| 15 | 133,0 | 122,17 | TS 12T15 | 76  | 25 | 1610  | 1   |
| 16 | 141,0 | 130,20 | TS 12T16 | 90  | 32 | 2012  | 1   |
| 17 | 149,0 | 138,22 | TS 12T17 | 90  | 32 | 2012  | 1   |
| 18 | 157,0 | 146,28 | TS 12T18 | 108 | 45 | 2517  | 1   |
| 19 | 165,2 | 154,33 | TS 12T19 | 108 | 45 | 2517  | 1   |
| 20 | 173,2 | 162,38 | TS 12T20 | 108 | 45 | 2517  | 1   |
| 21 | 181,2 | 170,43 | TS 12T21 | 110 | 45 | 2517  | 1   |
| 22 | 189,3 | 178,48 | TS 12T22 | 110 | 45 | 2517  | 1   |
| 23 | 197,5 | 186,53 | TS 12T23 | 110 | 45 | 2517  | 1   |
| 24 | 205,5 | 194,59 | TS 12T24 | 110 | 45 | 2517  | 1   |
| 25 | 213,5 | 202,66 | TS 12T25 | 110 | 45 | 2517  | 1   |
| 26 | 221,6 | 210,72 | TS 12T26 | 110 | 45 | 2517  | 1   |
| 27 | 229,6 | 218,79 | TS 12T27 | 110 | 45 | 2517  | 1   |
| 28 | 237,7 | 226,85 | TS 12T28 | 110 | 45 | 2517  | 1   |
| 30 | 254,0 | 243,00 | TS 12T30 | 140 | 51 | 3020  | 1   |

**1" 1/4 x 3/4" - 20B R. 19,05**

| Z  | De    | Dp     | cod.     | d   | H  | per Bussola<br>for Bush<br>für Buchse<br>pour Moyeux amovibles<br>para Casquillos cónicos | Esecuz. tipo<br>Type<br>Typ<br>Type<br>Typo |
|----|-------|--------|----------|-----|----|---|---|
| 13 | 147,8 | 132,65 | TS 13T13 | 90  | 32 | 2012  | 1   |
| 15 | 167,9 | 152,72 | TS 13T15 | 108 | 45 | 2517  | 1   |
| 17 | 187,9 | 172,78 | TS 13T17 | 108 | 45 | 2517  | 1   |
| 19 | 208,1 | 192,91 | TS 13T19 | 108 | 45 | 2517  | 1   |
| 21 | 228,2 | 213,04 | TS 13T21 | 108 | 45 | 2517  | 1   |
| 23 | 248,3 | 233,17 | TS 13T23 | 108 | 45 | 2517  | 1   |
| 25 | 268,5 | 253,33 | TS 13T25 | 108 | 45 | 2517  | 1   |
| 27 | 288,6 | 273,40 | TS 13T27 | 150 | 51 | 3020  | 1   |
| 30 | 318,9 | 303,75 | TS 13T30 | 150 | 51 | 3020  | 1   |