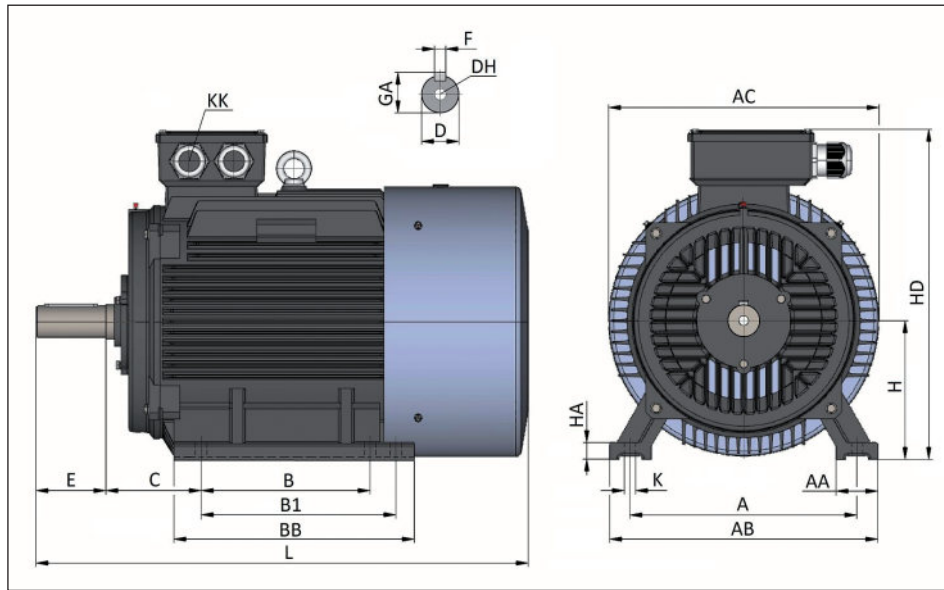
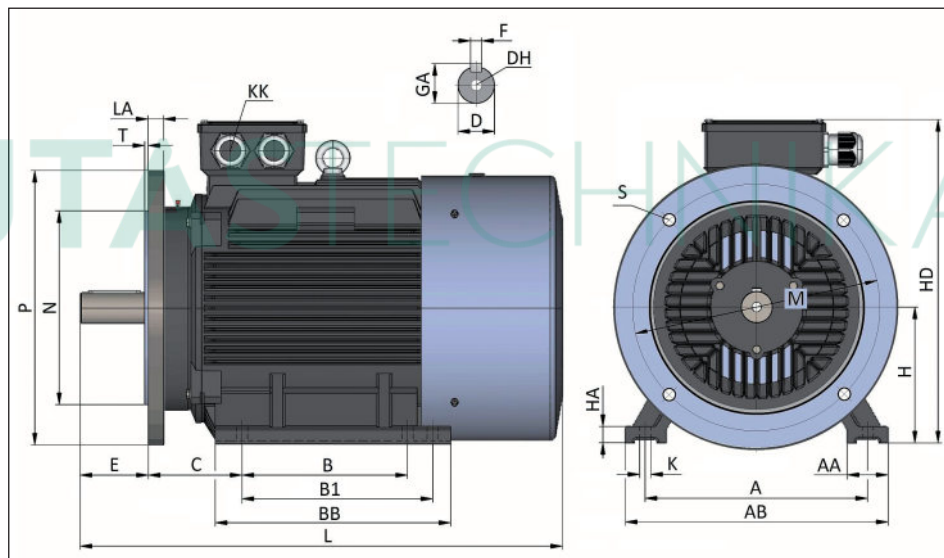


DIMENSIONAL DRAWING

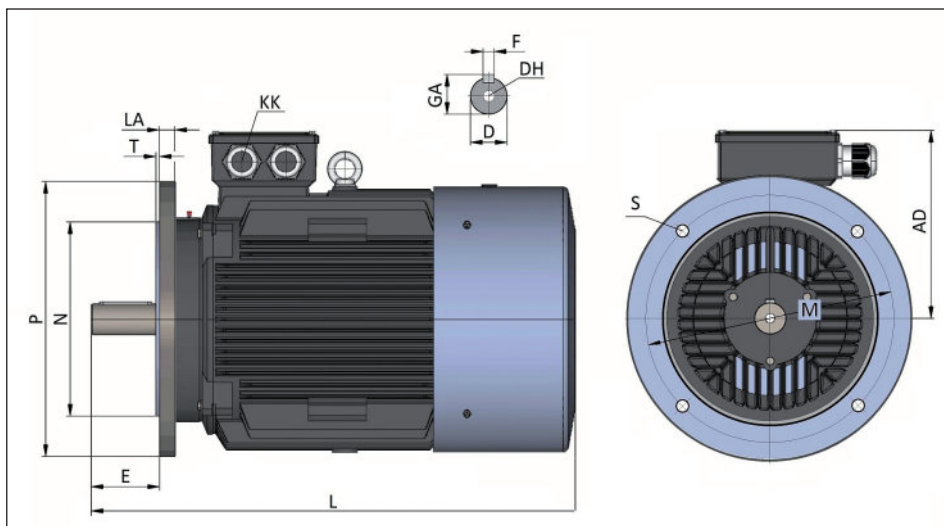
Foot mounting B3



Foot & flange mounting B35



Flange mounting B5/V1

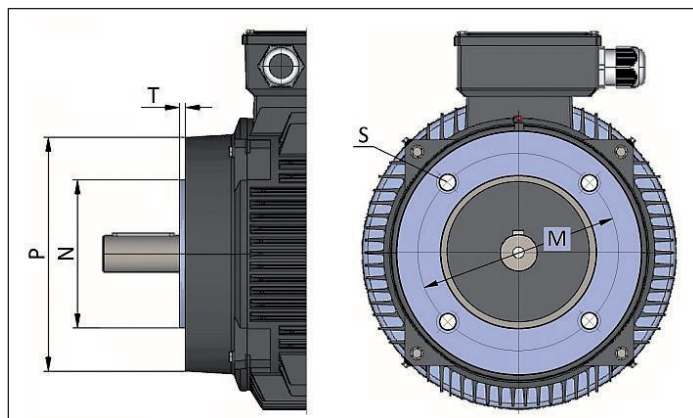


ASSEMBLY AND OVERALL DIMENSIONS

| Frame size | 2p | A | B | B1 | C | D | E | F | GA | H | K | AA | AB | AC | AD | BB | DH | HA | HD | L | KK |
|-----------------|-----|-----|-----|-----|-----|----|-----|----|------|-----|----|-----|-----|-----|-----|-----|-----|----|------|------|---------|
| OMT3-IE3 80 | 2-6 | 125 | 100 | - | 50 | 19 | 40 | 6 | 21.5 | 80 | 10 | 35 | 160 | 155 | 140 | 130 | M6 | 12 | 220 | 300 | M20x1.5 |
| OMT3-IE3 90S | 2-6 | 140 | 100 | - | 56 | 24 | 50 | 8 | 27 | 90 | 10 | 36 | 177 | 175 | 155 | 140 | M8 | 12 | 245 | 327 | M25x1.5 |
| OMT3-IE3 90L | 2-6 | 140 | 125 | - | 56 | 24 | 50 | 8 | 27 | 90 | 10 | 36 | 177 | 175 | 155 | 215 | M8 | 12 | 245 | 385 | M25x1.5 |
| OMT3-IE3 100L | 2-6 | 160 | 140 | - | 63 | 28 | 60 | 8 | 31 | 100 | 12 | 40 | 200 | 195 | 165 | 175 | M10 | 14 | 265 | 403 | M25x1.5 |
| OMT3-IE3 112M | 2-6 | 190 | 140 | - | 70 | 28 | 60 | 8 | 31 | 112 | 12 | 45 | 230 | 220 | 201 | 180 | M10 | 15 | 313 | 430 | M32x1.5 |
| OMT3-IE3 132S | 2-6 | 216 | 140 | - | 89 | 38 | 80 | 10 | 41 | 132 | 12 | 56 | 264 | 258 | 206 | 225 | M12 | 18 | 338 | 504 | M32x1.5 |
| OMT3-IE3 132M | 2-6 | 216 | 178 | - | 89 | 38 | 80 | 10 | 41 | 132 | 12 | 56 | 264 | 258 | 206 | 225 | M12 | 18 | 338 | 504 | M32x1.5 |
| OMT3-IE3 160M | 2-6 | 254 | 210 | - | 108 | 42 | 110 | 12 | 45 | 160 | 15 | 67 | 315 | 315 | 265 | 305 | M16 | 20 | 425 | 650 | M40x1.5 |
| OMT3-IE3 160L | 2-6 | 254 | 254 | - | 108 | 42 | 110 | 12 | 45 | 160 | 15 | 67 | 315 | 315 | 265 | 305 | M16 | 20 | 425 | 650 | M40x1.5 |
| OMT3-IE3 180M | 2-6 | 279 | 241 | - | 121 | 48 | 110 | 14 | 51.5 | 180 | 15 | 70 | 349 | 355 | 271 | 315 | M16 | 22 | 451 | 700 | M40x1.5 |
| OMT3-IE3 180L | 2-6 | 279 | 279 | - | 121 | 48 | 110 | 14 | 51.5 | 180 | 15 | 70 | 349 | 355 | 271 | 350 | M16 | 22 | 451 | 740 | M40x1.5 |
| OMT3-IE3 200L | 2-6 | 318 | 305 | - | 133 | 55 | 110 | 16 | 59 | 200 | 19 | 70 | 388 | 397 | 305 | 370 | M20 | 25 | 505 | 776 | M50x1.5 |
| OMT3-IE3 225S | 4-6 | 356 | 286 | - | 149 | 60 | 140 | 18 | 64 | 225 | 19 | 75 | 431 | 445 | 325 | 370 | M20 | 28 | 550 | 815 | M50x1.5 |
| OMT3-IE3 225M | 2 | 356 | 311 | - | 149 | 55 | 110 | 16 | 59 | 225 | 19 | 75 | 431 | 445 | 325 | 395 | M20 | 28 | 550 | 825 | M50x1.5 |
| | 4-6 | 356 | 311 | - | 149 | 60 | 140 | 18 | 64 | 225 | 19 | 75 | 435 | 445 | 325 | 395 | M20 | 28 | 550 | 845 | M50x1.5 |
| OMT3-IE3 250M | 2 | 406 | 349 | - | 168 | 60 | 140 | 18 | 64 | 250 | 24 | 80 | 485 | 485 | 365 | 445 | M20 | 30 | 615 | 925 | M63x1.5 |
| | 4-6 | 406 | 349 | - | 168 | 65 | 140 | 18 | 69 | 250 | 24 | 80 | 485 | 485 | 365 | 445 | M20 | 30 | 615 | 925 | M63x1.5 |
| OMT3-IE3 280S | 2 | 457 | 368 | - | 190 | 65 | 140 | 18 | 69 | 280 | 24 | 85 | 545 | 547 | 390 | 490 | M20 | 35 | 670 | 998 | M63x1.5 |
| | 4-6 | 457 | 368 | - | 190 | 75 | 140 | 20 | 79.5 | 280 | 24 | 85 | 545 | 547 | 390 | 490 | M20 | 35 | 670 | 998 | M63x1.5 |
| OMT3-IE3 280M | 2 | 457 | 419 | - | 190 | 65 | 140 | 18 | 69 | 280 | 24 | 85 | 550 | 547 | 390 | 540 | M20 | 35 | 670 | 1046 | M63x1.5 |
| | 4-6 | 457 | 419 | - | 190 | 75 | 140 | 20 | 79.5 | 280 | 24 | 85 | 550 | 547 | 390 | 540 | M20 | 35 | 670 | 1046 | M63x1.5 |
| OMT3-IE3 315S | 2 | 508 | 406 | - | 216 | 65 | 140 | 18 | 69 | 315 | 28 | 120 | 630 | 620 | 540 | 570 | M20 | 45 | 855 | 1190 | M63x1.5 |
| | 4-6 | 508 | 406 | - | 216 | 80 | 170 | 22 | 85 | 315 | 28 | 120 | 630 | 620 | 540 | 570 | M20 | 45 | 855 | 1220 | M63x1.5 |
| OMT3-IE3 315M.L | 2 | 508 | 457 | 508 | 216 | 65 | 140 | 18 | 69 | 315 | 28 | 120 | 630 | 620 | 540 | 680 | M20 | 45 | 855 | 1295 | M63x1.5 |
| | 4-6 | 508 | 457 | 508 | 216 | 80 | 170 | 22 | 85 | 315 | 28 | 120 | 630 | 620 | 540 | 680 | M20 | 45 | 855 | 1325 | M63x1.5 |
| OMT3-IE3 355M | 2 | 610 | | 560 | 254 | 75 | 140 | 20 | 79.5 | 355 | 28 | 116 | 726 | 700 | 647 | 750 | M20 | 52 | 1002 | 1484 | M63x1.5 |
| | 4-6 | 610 | | 560 | 254 | 95 | 170 | 25 | 100 | 355 | 28 | 116 | 726 | 700 | 647 | 750 | M20 | 52 | 1002 | 1514 | M63x1.5 |
| OMT3-IE3 355L | 2 | 610 | | 630 | 254 | 75 | 140 | 20 | 79.5 | 355 | 28 | 116 | 726 | 700 | 647 | 750 | M20 | 52 | 1002 | 1484 | M63x1.5 |
| | 4-6 | 610 | | 630 | 254 | 95 | 170 | 25 | 100 | 355 | 28 | 116 | 726 | 700 | 647 | 750 | M20 | 52 | 1002 | 1514 | M63x1.5 |

Dimensions of flanges

| Frame size | B5 | | | | | | B14L | | | | | B14S | | | | |
|------------|-----|-----|-----|--------|-----|----|------|-----|-----|--------|-----|------|-----|-----|--------|-----|
| | M | N | P | S | T | LA | M | N | P | S | T | M | N | P | S | T |
| OMT3-80 | 165 | 130 | 200 | 4x Ø12 | 3.5 | 12 | 130 | 110 | 160 | 4x M8 | 3.5 | 100 | 80 | 120 | 4x M6 | 3.0 |
| OMT3-90 | 165 | 130 | 200 | 4x Ø12 | 3.5 | 12 | 130 | 110 | 160 | 4x M8 | 3.5 | 115 | 95 | 140 | 4x M8 | 3.0 |
| OMT3-100 | 215 | 180 | 250 | 4x Ø15 | 4 | 13 | 165 | 130 | 200 | 4x M10 | 3.5 | 130 | 110 | 160 | 4x M8 | 3.5 |
| OMT3-112 | 215 | 180 | 250 | 4x Ø15 | 4 | 14 | 165 | 130 | 200 | 4x M10 | 3.5 | 130 | 110 | 160 | 4x M8 | 3.5 |
| OMT3-132 | 265 | 230 | 300 | 4x Ø15 | 4 | 14 | 215 | 180 | 250 | 4x M12 | 4.0 | 165 | 130 | 200 | 4x M10 | 3.5 |
| OMT3-160 | 300 | 250 | 350 | 4x Ø19 | 5 | 15 | | | | | | | | | | |
| OMT3-180 | 300 | 250 | 350 | 4x Ø19 | 5 | 15 | | | | | | | | | | |
| OMT3-200 | 350 | 300 | 400 | 4x Ø19 | 5 | 17 | | | | | | | | | | |
| OMT3-225 | 400 | 350 | 450 | 8x Ø19 | 5 | 20 | | | | | | | | | | |
| OMT3-250 | 500 | 450 | 550 | 8x Ø19 | 5 | 22 | | | | | | | | | | |
| OMT3-280 | 500 | 450 | 550 | 8x Ø19 | 6 | 22 | | | | | | | | | | |
| OMT3-315 | 600 | 550 | 660 | 8x Ø24 | 6 | 22 | | | | | | | | | | |
| OMT3-355 | 740 | 680 | 800 | 8x Ø24 | 6 | 25 | | | | | | | | | | |



Comments:

- 1) Flange motors mounted in position B5 are available for frame sizes 80 to 280.
- 2) Flange motors mounted in position V1 can be supplied with an additional small protective roof.
- 3) Flange motors B14S and B14L are available only for frame sizes 80 to 132.

Note: The manufacturer reserves the right to change the operating parameters and overall dimensions as the construction is modernized.