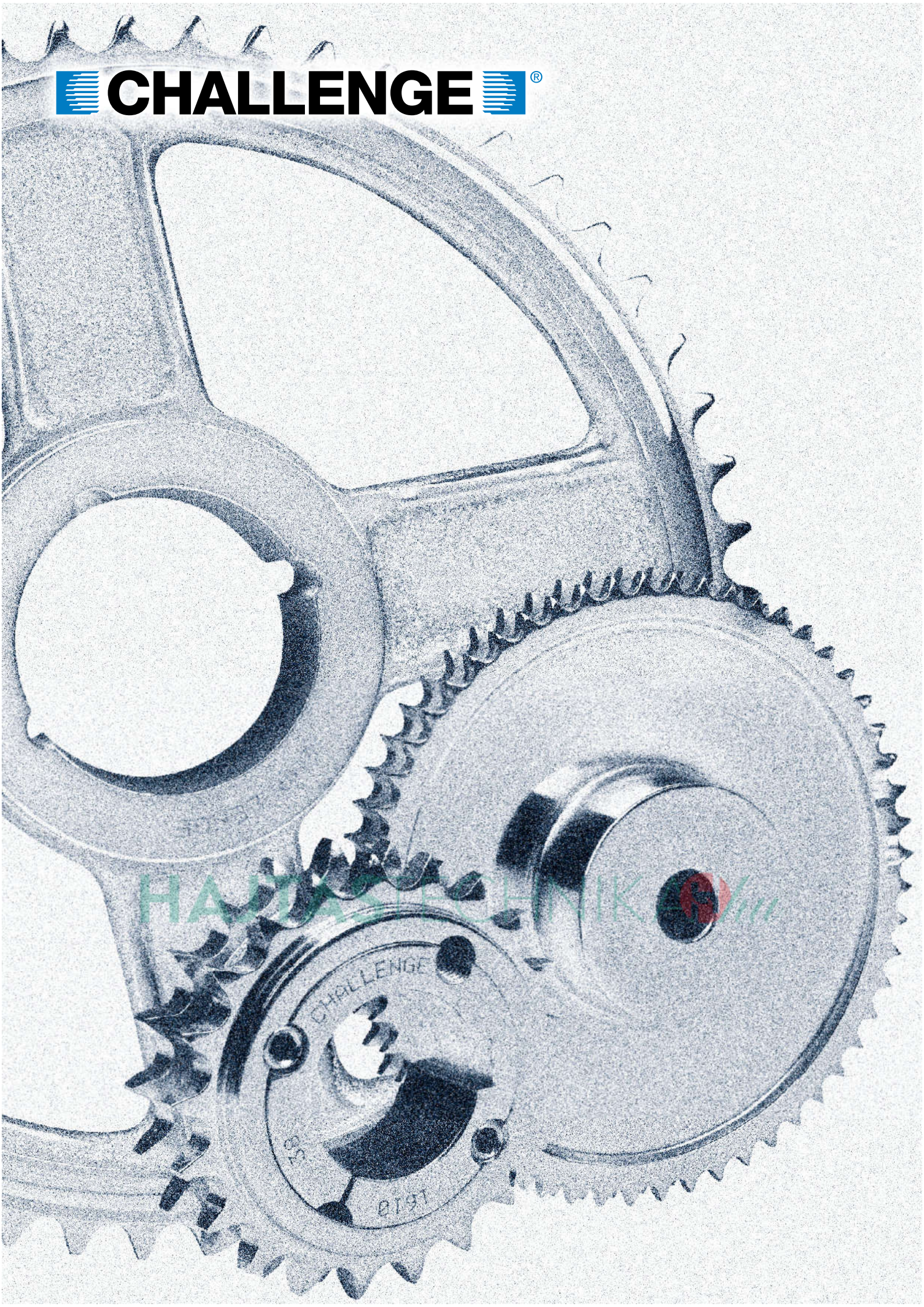


CHALLENGE®

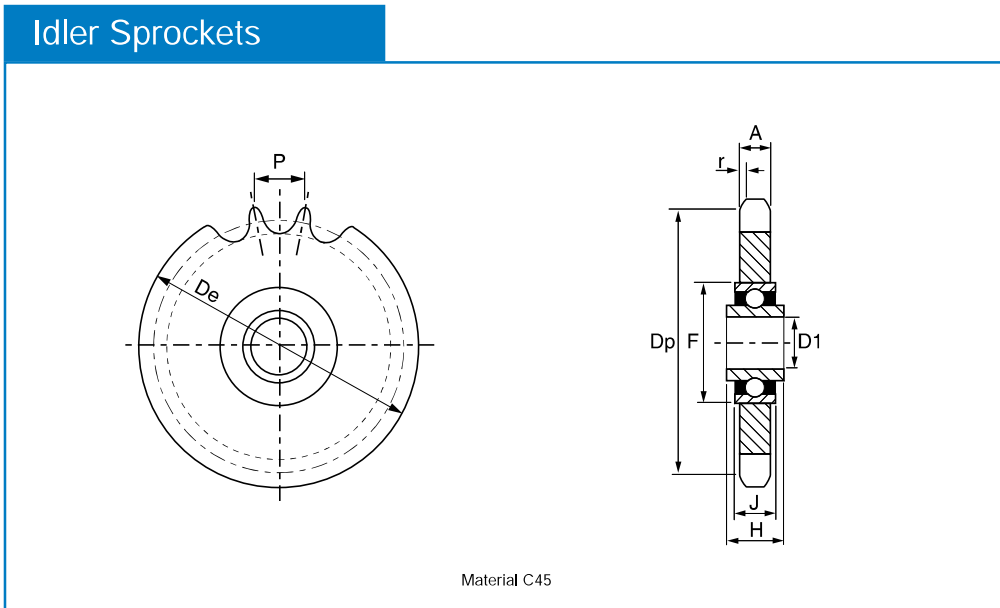


HARTMANN & KONIG

CHALLENGE
138
0191

Idler Sprockets

Idler Sprockets



ISO Chain Size	Chain Pitch x Width Between Inner Plates	Teeth	Outer Dia de	Pitch Dia dp	Tooth Width A	Bearing Bore D1	Bearing Bore Width H	Bearing Outside Dia F	Bearing Width J
05B	8 mm x 3 mm	23	62.0	58.75	2.8	16.2	18.3	40	12
06B	3/8" x 7/32"	21	68.0	63.91	5.3	16.2	18.3	40	12
081	1/2" x 1/8"	18	78.9	73.14	3.0	16.2	18.3	40	12
083	1/2" x 3/16"	18	78.9	73.14	4.5	16.2	18.3	40	12
084	1/2" x 3/16"	18	78.9	73.14	4.5	16.2	18.3	40	12
08B	1/2" x 5/16"	16	69.5	65.10	7.2	16.2	18.3	40	12
08B	1/2" x 5/16"	18	77.8	73.14	7.2	16.2	18.3	40	12
10B	5/8" x 3/8"	14	78.0	71.34	9.1	16.2	18.3	40	12
10B	5/8" x 3/8"	15	83.0	76.36	9.1	16.2	18.3	40	12
10B	5/8" x 3/8"	17	93.0	86.30	9.1	16.2	18.3	40	12
12B	3/4" x 7/16"	13	87.5	79.59	11.1	16.2	18.3	40	12
12B	3/4" x 7/16"	15	99.8	91.63	11.1	16.2	18.3	40	12
16B	1" x 17.02 mm	12	109.0	98.14	16.2	20.0	17.7	47	14
20B	1.1/4" x 3/4"	13	147.8	132.65	18.5	25.0	21.0	52	15

ANSI Chain Size	Chain Pitch x Width Between Inner Plates	Teeth	Outer Dia de	Pitch Dia dp	Tooth Width A	Bearing Bore D1	Bearing Bore Width H	Bearing Outside Dia F	Bearing Width J
35	3/8" x 3/16"	20	65.77	60.89	4.4	16.20	18.3	40	12
40	1/2" x 5/16"	17	75.68	69.12	7.4	16.20	18.3	40	12
40	1/2" x 5/16"	18	79.70	73.14	7.4	16.20	18.3	40	12
50	5/8" x 3/8"	15	83.00	76.36	9.0	16.20	18.3	40	12
50	5/8" x 3/8"	17	93.00	86.39	9.0	16.20	18.3	40	12
60	3/4" x 1/2"	13	89.49	79.59	12.0	16.20	18.3	40	12
60	3/4" x 1/2"	15	101.52	91.63	12.0	16.20	18.3	40	12
80	1" x 5/8"	12	103.28	90.14	15.0	19.05	17.7	47	14

Every effort has been taken to ensure that the data listed in this catalogue is correct. Challenge accepts no liability for any inaccuracies or damage caused. All dimensions in millimetres unless otherwise stated.