



# ECO-TOP POWER

HASIL TEKNIK

electric motors  
 **SIMOTOP**<sup>®</sup>  
GROUP

GENERAL CATALOGUE  
english

rev. 24

# electric motors



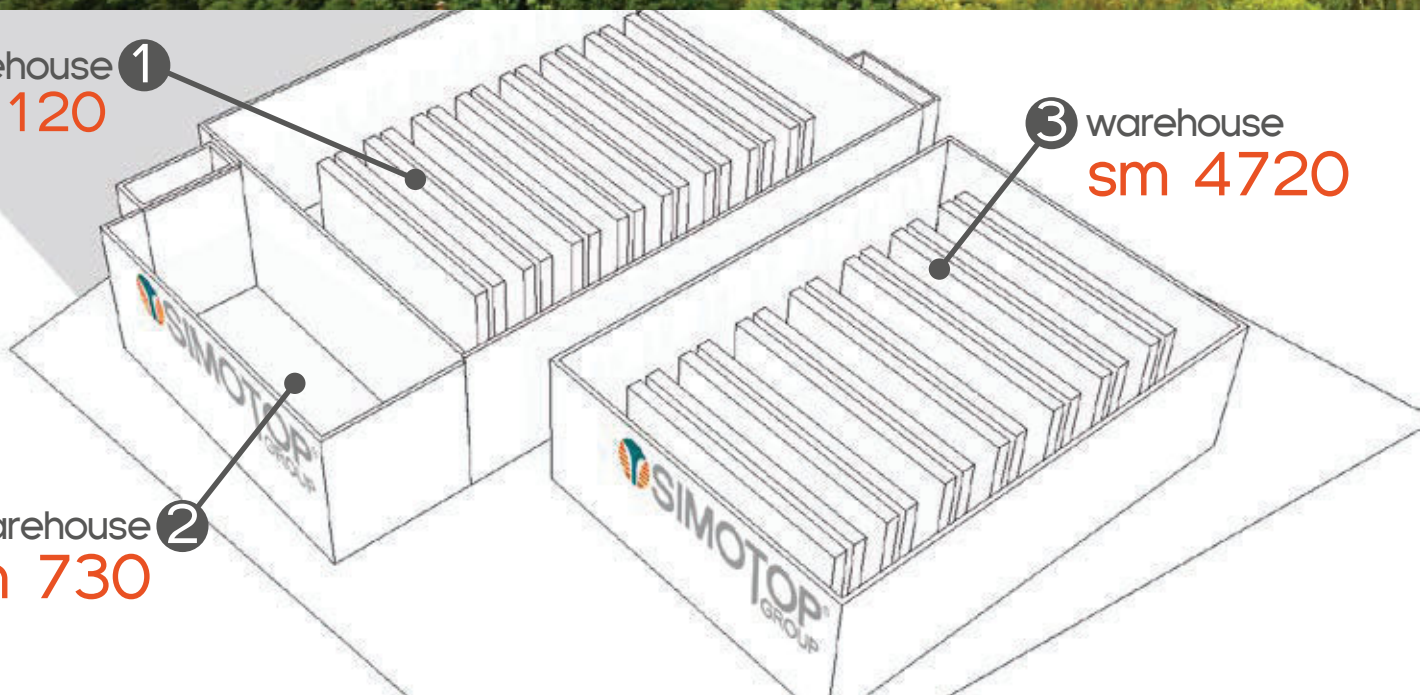
# HAJTAS TECHNIKA



warehouse 1  
sm 5120

warehouse 3  
sm 4720

warehouse 2  
sm 730





# THE LARGEST “JUST IN TIME” STOCK IN EUROPE

HAJTASTECHNIKA



A GREAT "VALUE CREATING" COMPANY



ECO-TOP

POWER

HATTASTECHNIKA  hu





# The Company

A SKILLED AND PROFESSIONAL  
INTERNATIONAL TEAM AT DISPOSAL OF CUSTOMERS

Two of the most important international companies,  
Shanghai Top Motor Corporation Ltd and Simo Import & Export  
Corporation Ltd wanted to satisfy the demands of the European  
Market, offering top quality products as well as a skilled  
professional team.

HAJTASTECHNIKA





**WIDE RANGE  
OF ELECTRIC  
MOTORS**

**HAJTASTECHNIK**



## 01. GENERAL FEATURES

### High efficiency motors

The Techtot motors are designed in accordance to the new european standard for high efficiency.

MS series, is designed and manufactured in accordance to the parameters of the new european classification standard for high efficiency IE1, IE2.

TA and TC series, are designed and manufactured in accordance to the parameters of the new european classification standard for high efficiency IE1, IE2, IE3, IE4.

The motors are totally enclosed, fan cooled, with squirrel cage rotor.

MS and TA series, from frame 56 to frame 200, are provided with aluminium housing.

TC series, from frame 132 to frame 560, is provided with cast iron housing.

IEC 60034-30 standard defines three IE (International Efficiency) efficiency classes of single speed three-phase cage induction motors; 50Hz and 60Hz; 2-4-6 poles; rated voltage up to 1000V; duty type S1 or S3 with a rated cyclic duration factor of 80% or higher operating direct on line.

- IE1 standard efficiency
- IE2 high efficiency from 0,75 to 375 kW, obligatory in Europe from 16.07.2012
- IE3 premium efficiency from 7,5 to 375 kW, obligatory in Europe from 01.01.2015 and from 0,75 to 375 kW obligatory in Europe from 01.01.2017

RATED POWER (kW)	STANDARD EFFICIENCY (IE1) STANDARD POLES			STANDARD EFFICIENCY (IE2) HIGH POLES			STANDARD EFFICIENCY (IE3) PREMIUM POLES			STANDARD EFFICIENCY (IE4) SUPER PREMIUM POLES		
	2	4	6	2	4	6	2	4	6	2	4	6
0,75	72,1	72,1	70,0	77,4	79,6	75,9	80,7	82,5	78,9	83,5	85,7	82,7
1,1	75,0	75,0	72,9	79,6	81,4	78,1	82,7	84,1	81,0	85,2	87,2	84,5
1,5	77,2	77,2	75,2	81,3	82,8	79,8	84,2	85,3	82,5	86,5	88,2	85,9
2,2	79,7	79,7	77,7	83,2	84,3	81,8	85,9	86,7	84,3	88,0	89,5	87,4
3	81,5	81,5	79,7	84,6	85,5	83,3	87,1	87,7	85,6	89,2	90,4	88,6
4	83,1	83,1	81,4	85,8	86,6	84,6	88,1	88,6	86,8	90,0	92,2	89,5
5,5	84,7	84,7	83,1	87,0	87,7	86,0	89,2	89,6	88,0	90,9	92,9	90,5
7,5	86,0	86,0	84,7	88,1	88,7	87,2	90,1	90,4	89,1	91,7	92,6	91,3
11	87,6	87,6	86,4	89,4	89,8	88,7	91,2	91,4	90,3	92,6	93,3	92,3
15	88,7	88,7	87,7	90,3	90,6	89,7	91,9	92,1	91,2	93,3	93,9	92,9
18,5	89,3	89,3	88,6	90,9	91,2	90,4	92,4	92,6	91,7	93,7	94,2	93,4
22	89,9	89,9	89,2	91,3	91,6	90,9	92,7	93,0	92,2	94,0	94,5	93,7
30	90,7	90,7	90,2	92,0	92,3	91,7	93,3	93,6	92,9	94,5	94,9	94,2
37	91,2	91,2	90,8	92,5	92,7	92,2	93,7	93,9	93,3	94,8	95,2	94,5
45	91,7	91,7	91,4	92,9	93,1	92,7	94,0	94,2	93,7	95,0	95,4	94,8
55	92,1	92,1	91,9	93,2	93,5	93,1	94,3	94,6	94,1	95,3	95,7	95,1
75	92,7	92,7	92,6	93,8	94,0	93,7	94,7	95,0	94,6	95,6	96,0	95,4
90	93,0	93,0	92,9	94,1	94,2	94,0	95,0	95,2	94,9	95,8	96,1	95,6
110	93,3	93,3	93,3	94,3	94,5	94,3	95,2	95,4	95,1	96,0	96,3	95,8
132	93,5	93,5	93,5	94,6	94,7	94,6	95,4	95,6	95,4	96,2	96,4	96,0
160	93,8	93,8	93,8	94,8	94,9	94,8	95,6	95,8	95,6	96,3	96,6	96,2
200	94,0	94,0	94,0	95,0	95,1	95,0	95,8	96,0	95,8	96,5	96,7	96,3
250	94,0	94,0	94,0	95,0	95,1	95,0	95,8	96,0	95,8	96,5	96,7	96,5
315-375	94,0	94,0	94,0	95,0	95,1	95,0	95,8	96,0	95,8	96,5	96,7	96,6

## 02. STANDARDS

### Motors MS, TA, TC Series are compliant with the following Standards:

RATING AND PERFORMANCES  
IEC 60034-1 CEI EN 60034-1

METHODS FOR DETERMINING LOSSES AND EFFICIENCY IEC 60034-2 CEI EN 60034-2  
ROTATING ELECTRICAL MACHINES, PART 30, EFFICIENCY CLASSES OF SINGLE SPEED, THREE-PHASE INDUCTION MOTORS (IE CODE)  
IEC 60034-30-2

CLASSIFICATION OF DEGREES OF PROTECTION (IP CODE) IEC 60034-5 CEI EN 60034-5

METHODS OF COOLING (IC CODE) IEC 60034-6 CEI EN 60034-6

CLASSIFICATION OF TYPE OF CONSTRUCTION MOUNTING ARRANGEMENTS (IM CODE) IEC 60034-7 CEI EN 60034-7

TERMINAL MARKINGS AND DIRECTION OF ROTATION IEC 60034-8 CEI 2-8

NOISE LIMITS IEC 60034-9 CEI EN 60034-9

BUILT-IN THERMAL PROTECTIONS IEC 60034-11

STARTING PERFORMANCE OF ROTATING ELECTRICAL MACHINES IEC 60034-12 CEI EN 60034-12

MECHANICAL VIBRATIONS IEC 60034-14 CEI EN 60034-14

DIMENSIONS AND OUTPUTS FOR ELECTRICAL MACHINES CEI EN 50347 IEC 60072-1 IEC60072-2

Mechanical standard dimensions are given in accordance to the following norms:

UNEL 13113-71 for B3 shape and its derivatives

UNEL 13117-71 for B5 shape and its derivatives

UNEL norms are compliant with the international rules IEC, issuing 72, and its relative amendment n. 1

CEI 16-8 - IEC1293 ELECTRICAL APPAREL MARKING

IEC TS 60034-25 GUIDE FOR THE DESIGN AND PERFORMANCE OF CAGE INDUCTION MOTORS SPECIFICALLY DESIGNED FOR CONVERTER SUPPLY

IEC TS 60034-18-41 PARTIAL DISCHARGE FREE ELECTRICAL INSULATION SYSTEMS (TYPE I) USED IN ROTATING ELECTRICAL MACHINES FED FROM  
VOLTAGE CONVERTERS - QUALIFICATION AND QUALITY CONTROL TESTS

UNI ISO 2768/1-2 GENERAL TOLERANCES

UNI 321 SHAFT DIMENSIONS

2014/35/UE LOW VOLTAGE DIRECTIVE

2014/30/UE (EMC) DIRECTIVE OF ELECTROMAGNETIC COMPATIBILITY

2006/42/CE MACHINERY DIRECTIVE

UL-CSA Norms

ECOENERGY DESIGN 2009/125/EC

The motors described into this catalogue satisfy the requirements of the UL Norms

1004-1 Rotating Electric Machines - General Requirements, First

Edition, and of the Norms CSA C22.2 No. 100-04, Motors and Generators,

Sixth Edition. Certificate CSA-UL n. 2073480-E323353 master 224693

High efficiency motors described into this catalogue are compliant with the American standard for high efficiency Nem Premium - Certification of compliance with Energy Efficiency standards for electric motors in accordance with the requirements listed in the Title 10 of the Code of Federal Regulations, Part 431(10CFR Part 431), Energy Conservation Program for Certain Commercial and Industrial Equipment and Part C of the Energy Policy and Conservation Act., 42 U.S.C. 6311 et seq. U.S. Department of Energy (DOE) Compliance Certification Number N. CC 096A.

EAC Conformity Declaration:

Motors are compliant with the following Technical Rules of the Russian, Bielorussian, Kazakhstani Custom Union.


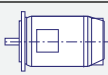
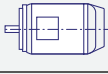

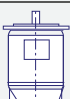
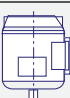
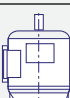

- TP TC 004/2001 Low Voltage

- TP TC 020/2011 EMC



### 03. MOUNTING AND POSITIONS

Frame according to IEC 60034-7, are defined in the following table:

FIGURE	STANDARDS			FRAME SIZES		
	CEI 2-14	IEC 60034-7		56-160	180-280	315-355
		Code I	Code II			
	B 3	IM B 3	IM 1001	standard		
	B 3/B 5	IM B 35	IM 2001	standard		
	B 5	IM B 5	IM 3001	standard	standard	upon request
	B 14	IM B 14	IM 3601	standard	-	-
	B 8	IM B 8	IM 1071	standard	upon request	upon request
	B 6	IM B 6	IM 1051	standard	upon request	upon request
	B 7	IM B 7	IM 1061	standard	upon request	upon request
	V 1	IM V 1	IM 3011	standard		
	V 3	IM V 3	IM 3031	standard	standard	upon request
	V 5	IM V 5	IM 1011	upon request	upon request	upon request
	V 6	IM V 6	IM 1031	upon request	upon request	upon request
	V 1 / V 5	IM V 15	IM 2011	standard	standard	upon request

## 04. INGRESS PROTECTION

The ingress protection degrees according to IEC 60034-5 standards, are:

IP 55 (standard) totally enclosed motors, fan cooled, protected against penetration of dust and water splashes coming from any direction.  
IP 56 (upon request) totally enclosed motors, protected against dust penetration and against sea waves, for use on deck.

Normally IP56 motors are supplied with external fan (IC 411 - IC 416 or IC 418).

Upon request they can be supplied without fan (IC410). In this case the features, outputs and technical data will be supplied upon request. The external fan is covered by a fan cover with IP 20 protection degree, in line with safety standards.

Motors for vertical mounting V1, V5, V1N5, are supplied with rain cover.

The terminal box, in aluminium or cast iron, has IP55 or IP56 protection degree.

## 05. GENERAL COSTRUCTION FEATURES

Motors have been designed and manufactured in compliance with international standards.

TA and MS series are available from frame size 56 to frame size 200.

Frames and terminal boxes are in aluminum, fan cover is in steel sheet, flanges and shields are in aluminum.

TC serie is available from frame size 132 to frame size 355.

Frame and terminal box are in cast iron, fan cover is in steel sheet, flanges and shields are in cast iron.

The terminal box is as standard on the top of the motor. From frame size 56 to 280 it can be rotated in step of 90°, to easily transform motors to configuration with terminal box on the left or on the right.

Fans are in nylon, upon request can be supplied with fans in aluminium or in steel sheet.

Feet are removable, on all series, from frame size 56 to frame size 280.

Components	Series	Shaft height															
		63	71	80	90	100	112	132	160	180	200	225	250	280	315	355	
Shield	D-end	MS	Aluminum														
		TA	Aluminum														
		TC	Cast iron														
	ND-end	MS	Aluminum														
		TA	Aluminum														
		TC	Cast iron														
Flange	B5	MS	Aluminum														
		TA	Aluminum														
		TC	Cast iron														
	B14	MS	Aluminum										Cast iron				
		TA	Aluminum										Cast iron				
		TC	Cast iron														
Cover fan	MS	Sheet metal															
	TA	Sheet metal															
	TC	Sheet metal															
Fan	MS/TA	Polypropylene															
	TC	Polypropylene										Polypropylene		Polyamide			
Terminal box	MS/TA	Aluminum															
	TC	Cast iron															
Removable feet	MS/TA	Yes										Yes		No			

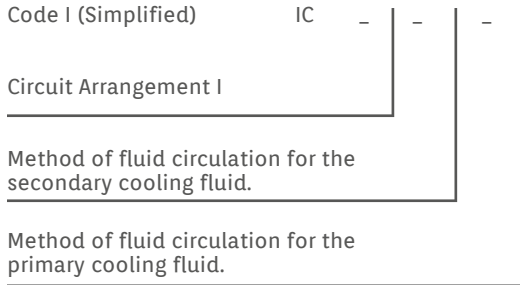
### MECHANICAL TOLERANCES

Component	Dimensions		Tolerance
Axis Height	H up to frame 250		-0,5 mm
	H bigger than frame 250		-1 mm
Shaft-end	DE-NDE	Ø 11-28	j6
		Ø 38-48	k6
		Ø ≥ 55	m6
Key	DE-NDE		h9
Flange	N	Ø < 250	j6
		Ø ≥ 250	h6

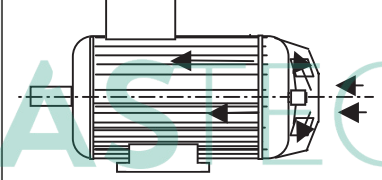
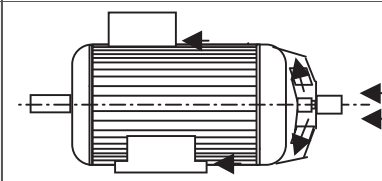
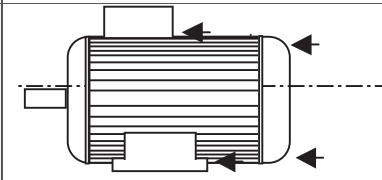
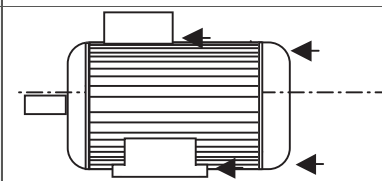


## 06. COOLING

The designation of cooling method is given by the IC (International Cooling) code, according to IEC 60034-6



Motors in standard execution of frame sizes from 56 to 355 are supplied with IC 411 cooling systems, incorporating a bidirectional fan. All frame sizes can be supplied with cooling system IC 416 on request. In this case a proper fan is fitted inside the fan cover, suitably reinforced, in order to make the ventilation independent on the rotational speed.

IC CODE	FIGURE	DESCRIPTION	NOTE
IC 411		Self ventilating motor. Enclosed machine. Externally finned. External shaft-mounted fan.	Standard
IC 416		Motor with assisted ventilation. Enclosed machine. Externally finned. Independent external fan mounted inside the fan cover.	Upon request
IC 418		Motor with external ventilation. Enclosed machine. Externally finned ventilation provided by air flowing from the driven system.	Upon request
IC 410		Motor with natural ventilation. Enclosed machine.	Upon request

## 07. BEARINGS

Motors TA and MS series from frame size 56 to frame size 200 have sealed pre-lubricated ball bearings, DE and NDE side, C3 type.  
 Motors TC series frame from size 132 to frame size 200 have sealed pre-lubricated ball bearings, DE and NDE side, C3 type.  
 Motors TC series from frame size 225 to frame size 280 (including 315 2-poles) have ball bearings, DE and NDE side, C3 type.  
 Motors TC series from frame size 315 (4-6-8-poles) to frame size 355, have roller bearings DE side and ball bearings NDE side.  
 All non pre-lubricated bearings need to be periodically re-lubricated according to the data given in the motors maintenance manual.  
 Motor with axially constrained bearing have an arrangement with a spring in order to absorb vibrations.  
 The lifetime of bearings (in accordance with supplier data and ideal working conditions) is on 40.000 hours, for motors with direct coupling.

In the table are mentioned all specifications concerning bearings installed on motors frame sizes 56-355

MOTOR TYPE	POLES	MOUNTING B3		MOUNTING B5/B14	
		Bearing coupling side DE	Bearing opposite coupling side NDE	Bearing coupling side DE	Bearing opposite coupling side NDE
TA/MS 56	2-4-6-8	6201-2RS-C3	6201-2RS-C3	6201-2RS-C3	6201-2RS-C3
TA/MS 63	2-4-6-8	6201-2RS-C3	6201-2RS-C3	6201-2RS-C3	6201-2RS-C3
TA/MS 71	2-4-6-8	6202-2RS-C3	6202-2RS-C3	6202-2RS-C3	6202-2RS-C3
TA/MS 80	2-4-6-8	6204-2RS-C3	6204-2RS-C3	6204-2RS-C3	6204-2RS-C3
TA/MS 90	2-4-6-8	6205-2RS-C3	6205-2RS-C3	6205-2RS-C3	6205-2RS-C3
TA/MS 100	2-4-6-8	6206-2RS-C3	6206-2RS-C3	6206-2RS-C3	6206-2RS-C3
TA/MS 112	2-4-6-8	6306-2RS-C3	6206-2RS-C3	6306-2RS-C3	6206-2RS-C3
TA/MS 132	2-4-6-8	6308-2RS-C3	6208-2RS-C3	6308-2RS-C3	6208-2RS-C3
TA/MS 160	2-4-6-8	6309-2RS-C3	6209-2RS-C3	6309-2RS-C3	6209-2RS-C3
TA/MS 180	2-4-6-8	6311-2RS-C3	6211-2RS-C3	6311-2RS-C3	6211-2RS-C3
TA/MS 200	2-4-6-8	6312-2RS-C3	6212-2RS-C3	6312-2RS-C3	6212-2RS-C3
TC 132	2-4-6-8	6308ZZ-C3	6308ZZ-C3	6308ZZ-C3	6308ZZ-C3
TC 160	2-4-6-8	6309ZZ-C3	6309ZZ-C3	6309ZZ-C3	6309ZZ-C3
TC 180	2-4-6-8	6311ZZ-C3	6311ZZ-C3	6311ZZ-C3	6311ZZ-C3
TC 200	2-4-6-8	6312ZZ-C3	6312ZZ-C3	6312ZZ-C3	6312ZZ-C3
TC 225	2-4-6-8	6313-C3	6313-C3	6313-C3	6313-C3
TC 250	2-4-6-8	6314-C3	6314-C3	6314-C3	6314-C3
TC 280	2-4-6-8	6316-C3	6316-C3	6316-C3	6316-C3
TC 315	2	6317-C3	6317-C3	6317-C3	6317-C3
TC 315	4-6-8	NU319	6319-C3	NU319	6319-C3
TC 355	2	6319-C3	6319-C3	6319-C3	6319-C3
TC 355	4-6-8	NU322	6322-C3	NU322	6322-C3

Upon request it can be mounted roller bearings (at DE side), where non-standard, insulated bearings (at NDE side), and reinforced bearings (at NDE side).



## 08. TERMINAL BOX

The terminal board is normally equipped with 6 terminals and is made with non hygroscopic and mildew resistance material.

Terminal box for TA and MS series is made in aluminum, for TC series in cast iron.

Terminal box has IP55 standard protection degree or IP56 (upon request).

In the series TA and MS from size 56 to size 90 terminal box is equipped with one cable gland and one plug; from size 100 to size 200 is equipped with two cable glands; from size 160 and up it is also available one cable gland M16x1,5 for PTC connection.

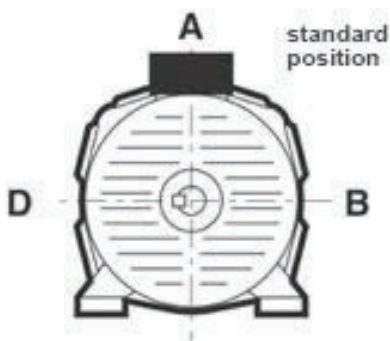
In the TC series terminal box is equipped with two cable glands on all sizes. From size 160 and up it is also available one cable gland M16x1,5 for PTC connection.

The following table resumes the available configurations:

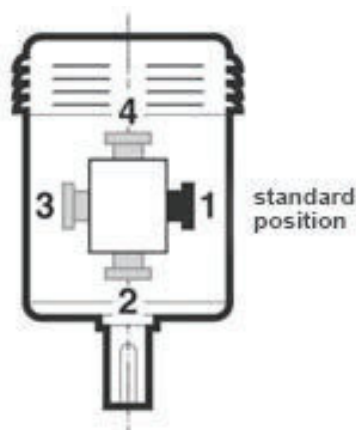
FRAME	CABLE GLAND
TA/MS 56	1-M16x1,5
TA/MS 63	1-M16x1,5
TA/MS 71	1-M20x1,5
TA/MS 80	1-M20x1,5
TA/MS 90	1-M20x1,5
TA/MS 100	2-M20x1,5
TA/MS 112	2-M25x1,5
TA/MS 132	2-M25x1,5
TA/MS 160	2-M32x1,5+1-M16x1,5
TA/MS 180	2-M40x1,5+1M16x1,5
TA/MS 200	2-M40x1,5+1M16x1,5
TC 132	2-M25x1,5
TC 160	2-M32x1,5+1M16x1,5
TC 180	2-M32x1,5+1M16x1,5
TC 200	2-M40x1,5+1M16x1,5
TC 225	2-M50x1,5+1M16x1,5
TC 250	2-M50x1,5+1M16x1,5
TC 280	2-M50x1,5+1M16x1,5
TC 315	2-M63x1,5+1M16x1,5
TC 355	2-M63x1,5+1M16x1,5



### TERMINAL BOX POSITION AND CABLE GLAND POSITION



Terminal box position respect to the motor shaft end

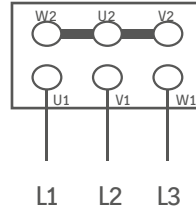


Cable gland position respect to the motor shaft end

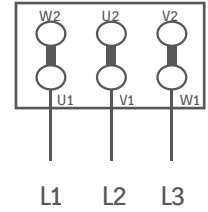
## 09. CONNECTION

### Single speed motors

connection star Y  
highest voltage on plate



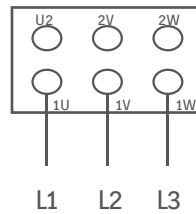
connection delta  $\Delta$   
lower voltage on plate



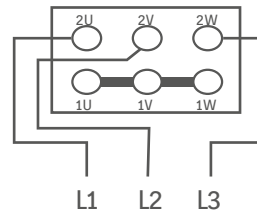
### Double speed motors

Dahlander  
single winding  
6 terminals

lower speed

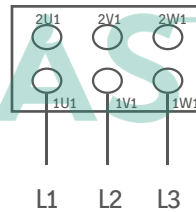


higher speed

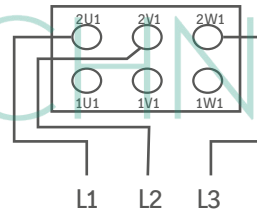


Two separate windings  
6 terminals

lower speed



higher speed

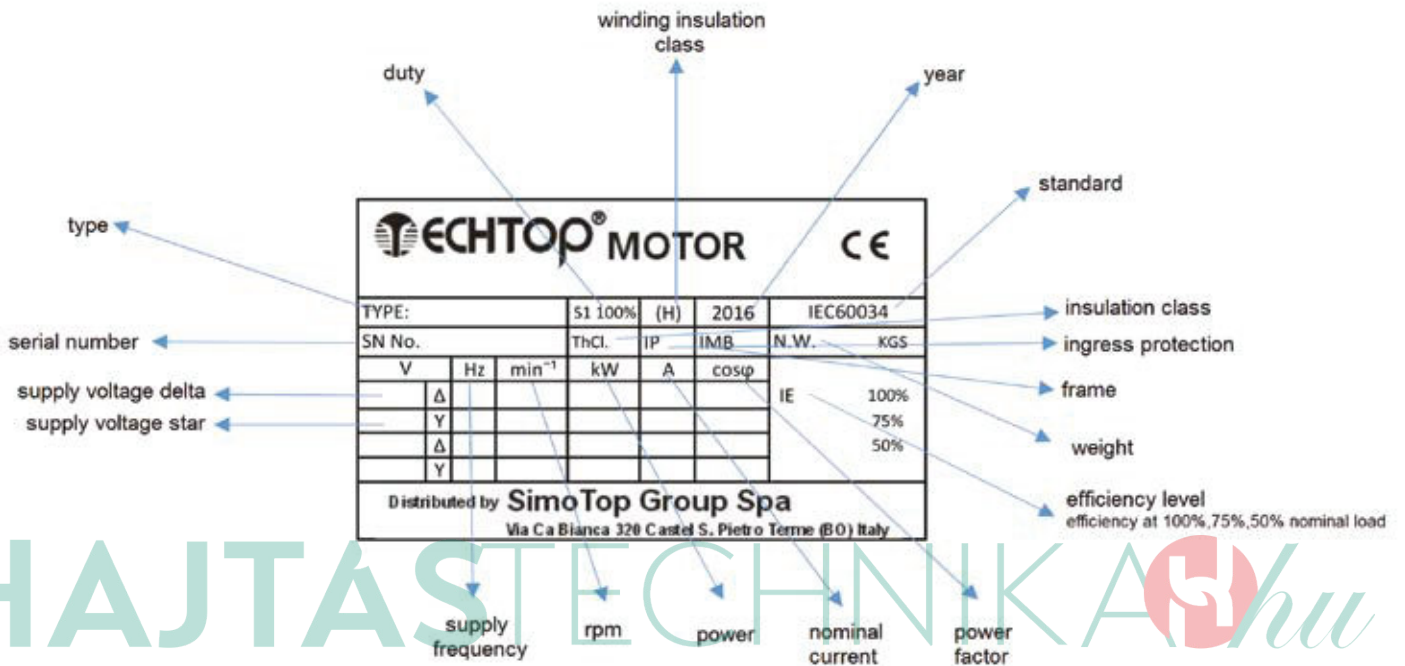




## 10. NAMEPLATE

Efficiency of motors not subject to the norms (up to 0,55kW power) or in IE1 class is provided at 100% of the rated load.

Motors subject to the efficiency classification level IE2, IE3 and IE4, in accordance to the standard IEC 60034-30-2 and to the European commission regulation No. 640/2009, on the plate will report the nominal efficiency level at full, 3/4 and 2/4 of the rated load.



FORCED VENTILATION PLATE

<b>ECHTOP MOTOR</b>		<b>CE</b>	
Type G	<input type="text"/>	No	<input type="text"/>
Power	<input type="text"/> W	Electric current	<input type="text"/> A
Rotating speed		<input type="text"/> r/min	
Frequency	<input type="text"/> Hz	Voltage	<input type="text"/>
Capacity	<input type="text"/> m <sup>3</sup> /h	Pressure	<input type="text"/> Pa
Noise	<input type="text"/> dB(A)	Diameter	<input type="text"/> mm
Insulation Class	<input type="text"/>	Protection Class	<input type="text"/>
Distributed by <b>Simo Top Group Spa</b> Via Ca Bianca 320 Castel S. Pietro Terme (BO) Italy			

ATEX 3GD PLATE

<b>ECHTOP MOTOR</b>		<b>CE</b>	
<b>Ex</b>		TUV 12 ATEX 111822X	
II 3 G Ex Na IIC T4 Gc		II 3 D Ex tc IIC T125°C Dc	
<b>ECHTOP MOTOR</b>		<b>CE</b>	
TYPE:		S1 100% (H)	IEC60034
SN No.		ThCl.	IP
V		Hz	min <sup>-1</sup>
Δ		kW	A
Y		cosφ	
Y			
			100%
			75%
			50%
Distributed by <b>Simo Top Group Spa</b> Via Ca Bianca 320 Castel S. Pietro Terme (BO) Italy			

CSA/UL PLATE

<b>ECHTOP MOTOR</b>		<b>CE</b>	
TYPE:		S1 100% (H)	IEC60034
SN No.		ThCl.	IP
V		Hz	min <sup>-1</sup>
Δ		kW	A
Y		cosφ	
Y			
			100%
			75%
			50%
		inverter duty 15:1 constant	
Distributed by <b>Simo Top Group Spa</b> Via Ca Bianca 320 Castel S. Pietro Terme (BO) Italy			

CSA/UL NEMA PREMIUM PLATE

<b>ECHTOP MOTOR</b>		<b>CE</b>	
TYPE:		S1 100% (H)	IEC60034
SN No.		ThCl.	IP
V		Hz	min <sup>-1</sup>
Δ		kW	A
Y		cosφ	
Y			
			100%
			75%
			50%
Distributed by <b>Simo Top Group Spa</b> Via Ca Bianca 320 Castel S. Pietro Terme (BO) Italy			

## 11. INSULATION, WINDING

The motors of the series MS, TA, TC are made in F insulation class.

The soft copper electrolytic wire is insulated by using a special enamel (double enamel). Such enamel is classified as H insulation class. All insulating materials used to produce motors are in F or H insulation class.

The winding undergoes a treatment as follows: it is impregnated by soaking it in oven-curing F class resins, it is tropicalized following a process including a spraying of anti-salty enamel and, finally, it is coated using a spray with heatproof, humidity-proof, chemical agent and sea-ambient corrosive action resistant characteristics.

The impregnation cycle is carried out under vacuum.

## 12. RATINGS AND TECHNICAL DATA

Power and data reported in the Technical Data Tables are for continuous duty (S1) at an ambient temperature of 40 °C, max. altitude 1000 meters a.s.l., with supply at 400V-50Hz.

In such conditions, the temperature rise reached by the motors is lower than the one provided by the B insulation class.

The operating characteristics are guaranteed within the tolerances defined by the CEI EN 60034-1 Standards and the IEC 60034-1 Recommendations, reported in the table:

CHARACTERISTICS	TOLERANCES
Efficiency	Motor power < 50 kW -15% di (1 - η) Motor power > 50 kW -10% di (1 - η)
Power factor	+1/6 (1- cosφ) Min 0.02 Max 0.07
Locked rotor current	+20% of guaranteed value
Locked rotor torque	-15% + 25% of guaranteed value
Pull out torque	-10% of guaranteed value
Slip	± 20% of guaranteed value

## 13. SUPPLY VOLTAGE

Motors series MS, TA, TC from frame size 56 to frame size 250 are designed to be used with a power supply at rated voltages from 220V to 690V respectively at 50Hz and at 60Hz; from frame size 280 to frame size 355 are designed to be used with a power supply at rated voltages from 400V to 690V respectively at 50Hz and at 60 Hz.

Standard rated voltages of the motors usually in stock are:

- 230/400V 50Hz from frame size 56 to frame size 100;
- 400/690V 50Hz from frame size 112 to frame size 355.

Lower voltage is made with delta connection while the higher voltage is made with star connection.

In these supply conditions efficiencies are in compliance with the IEC 60034-30.



## 14. VOLTAGE AND FREQUENCY VARIATIONS

Motors can work without failures if the supply voltage variations are limited as stated in the Classification Society Standards. In particular, motors can run with voltage variations of 10% and frequency variations of 5% with a maximum combined variation of 10% with temperature rise in compliance with the provisions of the Classification Society Standards.

## 15. OPERATION AT 60Hz FREQUENCY

The motors can run with a supply frequency of 60Hz with differences in performances. Adjustment in the motor features can be obtained by applying the multiplicative coefficients as described in the following table. For motors made at 50Hz and supplied at 60Hz, efficiency class of the motor at 50Hz is no longer valid.

PLATE VOLTAGE	PLATE VOLTAGE	NOMINAL POWER	NOMINAL CURRENT	NOMINAL TORQUE	RPM	STARTING CURRENT	STARTING TORQUE	MAX TORQUE
50 Hz	60 Hz							
230 +/- 10%	220 +/- 5%	1	1	0.83	1.2	0.83	0.83	0.83
230 +/- 10%	230 +/- 10%	1	0.95	0.83	1.2	0.83	0.83	0.83
230 +/- 10%	254 +/- 5%	1.15	1.02	0.96	1.2	0.93	0.93	0.93
230 +/- 10%	277 +/- 5%	1.2	1	1	1.2	1	1	1
400 +/- 10%	380 +/- 5%	1	1	0.83	1.2	0.83	0.83	0.83
400 +/- 10%	400 +/- 10%	1	0.95	0.83	1.2	0.83	0.83	0.83
400 +/- 10%	440 +/- 5%	1.15	1.02	0.96	1.2	0.93	0.93	0.93
400 +/- 10%	460 +/- 10%	1.15	1	0.96	1.2	0.96	0.96	0.96
400 +/- 10%	480 +/- 5%	1.2	1	1	1.2	1	1	1

## 16. DERATINGS

The tables of the technical data are referred to an ambient temperature of 40°C and an altitude up to 1000 meters a.s.l. In different environmental conditions output ratings vary, and are obtainable by applying the factors as mentioned in the following table, maintaining the temperature rise provided by the B insulation class.

ALTITUDE (m) a.s.l	AMBIENT TEMPERATURE (°C)					
	30	30-40	45	50	55	60

<= 1000	1.06	1	0.97	0.94	0.90	0.87
1500	1.04	0.97	0.94	0.91	0.87	0.84
2000	1	0.95	0.92	0.88	0.84	0.81
3000	0.96	0.89	0.86	0.82	0.78	0.74
4000	0.91	0.84	0.80	0.76	0.72	0.67

In case the temperature rise permitted for the F insulation class is used, the corrective factors are the same mentioned in the following table:

ALTITUDE (m) a.s.l	AMBIENT TEMPERATURE (°C)					
	30	30-40	45	50	55	60

<= 1000	1.17	1.12	1.09	1.06	1.03	1
1500	1.15	1.10	1.07	1.04	1.01	0.97
2000	1.13	1.07	1.04	1.01	0.98	0.95
3000	1.08	1.02	0.99	0.96	0.93	0.89
4000	1.04	0.97	0.94	0.91	0.87	0.84

## 17. SERVICES

IEC 60034-1 Norms defines nine different kind of services for the electrical machines, which correspond to the most common working conditions that can be found in all the field of application.

Among these nine cases it is always possible to identify all the practical cases that could occur, generally by means of a proper thermal equivalence.

Technical data reported in the tables are relative to the continuous service S1.

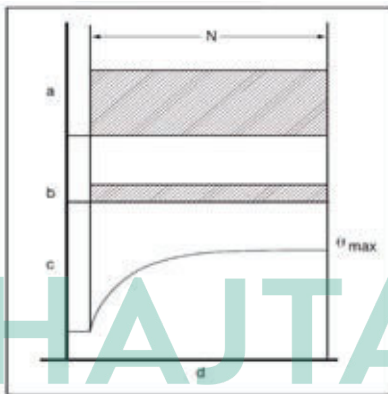
Motors have been designed to operate in continuous service S1 at the nominal power.

In the real cases motors works mostly in a non-continuous service and can operate few minutes a day, or all day long. Working cycles can strongly vary with the kind of application. In all these cases the motor reaches a temperature which differs from the case of a continuous service.

In such cases to avoid damages to the stator winding or to the rotor due to overheating, will have to be considered the hereunder mentioned operational intermittent cycles foreseen by the IEC 60034-1 Norms.

### Service S1

Continuous service. The motor is running with a constant load lasting long enough to let the motor reaching its thermal equilibrium conditions. This kind of service can be recognised when the machine works under a constant load for a time bigger than 3-4 times the value of the machine thermal time constant.



- a = Load
- b = Electrical losses
- c = Motor temperature
- d = Time
- N = Motor running time with constant load
- $\theta_{max}$  = Maximal reached motor temperature

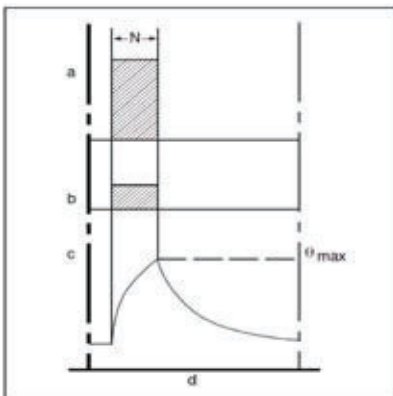
### Service S2

Limited duration service. The motor is running with a constant load and a duration which prevents the motor to reach its thermal equilibrium conditions.

This kind of service can be recognised when the machine works under a constant load for a period of time lower than 3 times the value of the machine thermal time constant, followed by a pause lasting at least 3-4 times the value of the machine thermal time constant, that has to be enough to cool down the machine to the ambient temperature.

During the pause time the machine is disconnected from the power supply network. In accordance to the norms, the standard time interval that can be specified are 0,5/1/3/5/10/30/60/90 minutes.

In order to define the service on the motor nameplate, it has to be specified S2 followed by the time interval and the relative power (es. S2 10min. 20kW).



- a = Load
- b = Electrical losses
- c = Motor temperature
- d = Time
- N = Motor running time with constant load
- $\theta_{max}$  = Maximal reached motor temperature



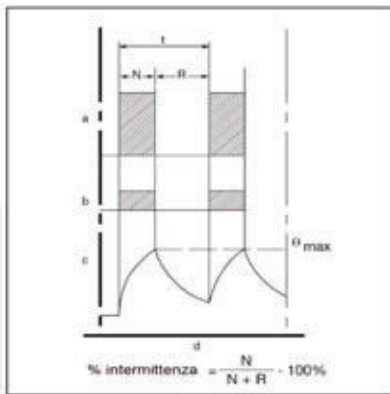
# POWER

## Service S3

Intermittent and Periodical service. The motor is running with a periodical loading cycle, composed by a time interval of constant load and a steady period with disconnection from the power supply network. The above mentioned running time intervals are not long enough to let motor reaching its thermal equilibrium conditions.

It is allowed to state such kind of service only in case the starting current does not affect the over-temperature significantly. In order to define the service on the motor nameplate, it has to be specified S3 followed by the intermittence ratio  $N/(N+R)*100\%$ , by the cycle duration  $t$  in minutes and the relative power (es. S3 25% 45min. 20kW).

If the cycle duration is not specified, the standard cycle is headed on 10 minutes.



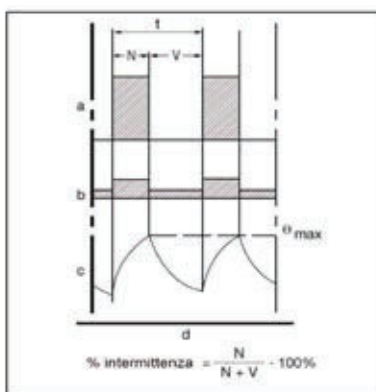
- a = Load
- b = Electrical losses
- c = Motor temperature
- d = Time
- N = Motor running time with constant load
- $\Theta_{max}$  = Maximal reached motor temperature
- R = Pause time
- t = Cycle duration

## Service S6

Uninterrupted Periodical service with Intermittent load. The motor is running in accordance to a periodical cycle, composed by a time interval of constant load and a period of operation with no-load.

In this case no resting period is granted as the machine is always connected to the power supply network. In order to define the service on the motor nameplate, like for the S3 service,

it has to be specified S6 followed by the intermittence ratio  $N/(N+R)*100\%$ , by the cycle duration  $t$  in minutes and the relative power (es. S6 25% 45min. 20kW). If the cycle duration is not specified, the standard cycle is headed on 10 minutes.



- a = Load
- b = Electrical losses
- c = Motor temperature
- d = Time
- N = Motor running time with constant load
- $\Theta_{max}$  = Maximal reached motor temperature
- t = Cycle duration
- V = Motor running time with no-load

The additional type of services are:

- S4 periodical intermittent service with starting
- S5 periodical intermittent service with electrical braking
- S7 uninterrupted service with electrical braking
- S8 periodical uninterrupted service with load and speed related variations
- S9 service with non-periodical load and speed variations

For such kind of services kindly contact the technical department of Simotop Group Spa

## 18. OVERLOADS

Continuous duty motors can withstand the following overloads:

OVERLOAD %	DURATION MINUTES	TIME INTERVAL MINUTES
10	10	15
20	6	15
30	4	15
40	3	15
50	2	15

In these operating overload conditions, the considered over temperature limit is the one of F insulation class.

## 19. STARTING

Motors are suitable for the following types of starting:

- Direct
- Star-Delta
- By autotransformer
- Soft-start (\*)
- By inverter (\*\*)

(\*) When the starting ramp is completed soft-start should be by-passed. Precaution must be used also when the motor will be powered with inverter.

(\*\*) See the relative recommendations in the paragraph n. 23 ("Inverter Supply")

## 20. BALANCING AND VIBRATION GRADES

Techtop motors are dynamically balanced with one half key applied to the shaft extension in accordance to the standard ISO 8821. In the standard execution vibration severity grade is A, in accordance to the standard IEC 60034-14:2003, for motors with nominal speed from 600 rpm/min to 3600 rpm/min.

Grade A applies to motors with no special vibration requirements, for special vibration requirements applies grade B.

Highest vibrations level can occur on motors installed on site, due to various factors not usually attributable to the motor but to the incorrect installation.

VIBRATION GRADE	MOUNTING	SHAFT HEIGHT (mm)			SHAFT HEIGHT (mm)			SHAFT HEIGHT (mm)		
		56 ≤ H ≤ 132			132 < H ≤ 280			H > 280		
		Displacement μm	Speed mm/sec	Acceleration m/sec <sup>2</sup>	Displacement μm	Speed mm/sec	Acceleration m/sec <sup>2</sup>	Displacement μm	Speed mm/sec	Acceleration m/sec <sup>2</sup>
A	Free suspension		1.6	2.5	35	2.2	3.5	45	2.8	4.4
	Rigid mounting		1.3	2.0	29	1.8	2.8	37	2.3	3.6
B	Free suspension		0.7	1.1	18	1.1	1.7	29	1.8	2.8
	Rigid mounting				14	0.9	1.4	24	1.5	2.4

(\*) Rigid mounting is not considered acceptable for machines with shaft heights less than 132

Instrumentation can have a measurement tolerance of ± 10%

Free suspension condition is achieved by suspending the machine on a spring or by mounting on a elastic support (spring, rubber, etc..)

Motors, on request, can be supplied also with vibration grade B.

Limits for the maximum shaft vibration and the maximum run-out, according to ISO 7919-1 Standard, provided in the table below:

VIBRATION GRADE	SPEED RANGE MIN <sup>-1</sup>	MAXIMUM RELATIVE SHAFT DISPLACEMENT	MAXIMUM COMBINED MECHANICAL AND ELECTRICAL RUN-OUT μm
A	> 1800	65	16
	≤ 1800	90	23
B	> 1800	50	12,5
	≤ 1800	65	16

## 21. NOISE

The technical features table lists the values of A-sound Pressure level (LpA) and A-sound Power level (LwA), measured at a one meter distance. Sound levels are measured in no-load conditions and have tolerances of 3 dB(A).

FRAME SIZE	A-sound pressure level (LpA) - A-sound power level (LwA) dB(A)							
	2-POLES		4-POLES		6-POLES		8-POLES	
	LpA	LwA	LpA	LwA	LpA	LwA	LpA	LwA

56	69	78	63	72	58	67	54	63
63	75	84	67	76	61	70	58	67
71	75	84	67	76	61	70	58	67
80	75	84	70	79	63	72	61	70
90	75	85	70	80	66	76	66	76
100	77	87	70	80	66	76	66	76
112	78	88	73	83	66	76	66	76
132	69	78	63	72	58	67	54	63
160	75	84	67	76	61	70	58	67
180	75	84	67	76	61	70	58	67
200	75	84	70	79	63	72	61	70
225	75	85	70	80	66	76	66	76
250	77	87	70	80	66	76	66	76
280	78	88	73	83	66	76	66	76
315	80	90	77	87	73	83	69	79
355	86	97	84	96	82	94	79	91

The values of the Sound Pressure (LpA) and of the Sound Power (LwA) in the table are related to the operation at 50Hz. If the power supply frequency changes these values have to be adjusted as indicated in the following table:

SUPPLY FREQUENCY Hz	% VALUE OF THE NOISE LEVEL COMPARED TO THE 50Hz VALUE
---------------------	---

10	60%
20	60%
30	70%
40	100%
50	100%
60	100%
80	120%



## 22. THERMAL PROTECTIONS

All the Techtop motors IE2, IE3, IE4 from frame size 80 to frame size 355 are equipped with the Positive Temperature Coefficient thermistors PTC. These protections are featured by variable resistance that changes with their actual temperature. This kind of protections, upon request, can be installed also on frame size 56 to frame size 132.

Resistance of PTC, for nominal operating temperature (TK), will be satisfying the following values:

- < 250 Ohm from temperature from -20°C to TK-20°C
- < 550 Ohm at a temperature of TK-5°C
- > 1330 Ohm at a temperature of TK+5°C
- > 4000 Ohm at a temperature of TK+15°C

In accordance to the standards, our motors are supplied with n. 3 PTC installed in series. Actual resistance value range to be considered for disengagement of the power supply is between 1650 Ohm and 4000 Ohm, and takes place in the temperature range from TK-5°C to TK+5°C.

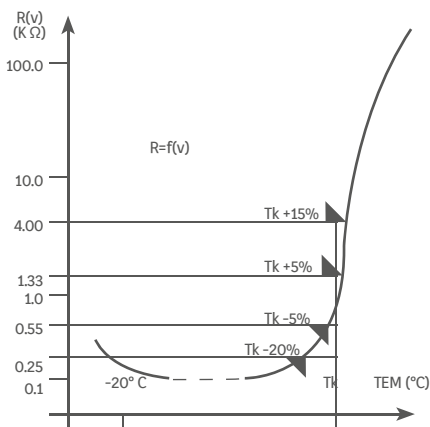
Values of TK related with the class of insulation are the following:

CLASS OF INSULATION	OPERATING TEMPERATURE LIMIT OF THE INSULATION °C	TK °C
---------------------	--	-------

A	105	95-100
E	120	110-115
B	130	120-125
F	155	145-150
H	180	170-175

The nominal operating temperature of the thermistors PTC, mounted on the Techtop motors is 150°C. Maximum supply voltage of the PTC thermistors is 2,5V.

Below the characteristic resistance/temperature curve of the PTC thermistors:



Upon request, the following thermal protections can be installed on the motors:

### Bimetallic devices

Motor protectors with contact normally closed. The contact opens when the winding temperature reaches limits dangerous to the insulation system of the motor.

### Platinum resistance thermometers PT100

Variable linear resistance changing with the winding temperature. Device particularly suitable for a continuous winding temperature monitoring.

The protection is normally made by 3 sensitive elements, one for each phase, connected in series. The sensor terminals are led to a specially provided terminal board located in the main or in an auxiliary terminal box.

## 23. ANTICONDENSATION HEATERS

Motors subject to atmospheric condensation, either through standing idle in damp environments or because of wide ambient temperature variations, may be fitted with anticondensation heaters.

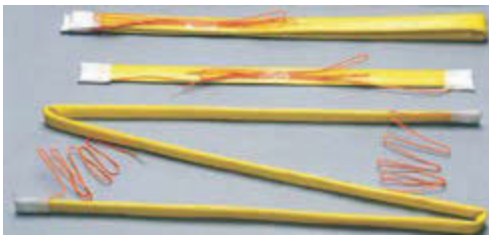
They are of tape form and are normally mounted on the stator winding head.

Anticondensation heaters are normally switched on automatically when the supply to the motor is interrupted, heating the motor to avoid water condensation.

Normal supply voltage is 115 V or 220/240V.

Anticondensation heater terminals are led to a specially provided terminal board located in the main terminal box. Upon request they can be led to a terminal board located in an auxiliary terminal box.

The power values normally used are shown in the table :



FRAME SIZE	SUPPLY VOLTAGE (V)	LENGTH mm	POWER (W)
------------	--------------------	-----------	-----------

80	110	203	8
	220/240	203	8
90	110	305	22
	220/240	305	25
100	110	432	27
	220/240	432	26
112	110	686	21
	220/240	686	21
132/160	110	686	40
	220/240	686	40
180/200	110	762	25
	220/240	762	26
225/250	110	1016	39
	220/240	1016	42
280	110	1067	50
	220/240	1067	54
315	110	1702	103
	220/240	1702	99
355	110	1702	103
	220/240	1702	99

### Drainage hole

Motors of series MS, TA, TC are provided with holes for the discharge of condensate closed with a plug to guarantee the degree of protection IP reported on plate. As a function of the operating conditions such plugs can be removed to allow the discharge of condensate that may form inside the motor.

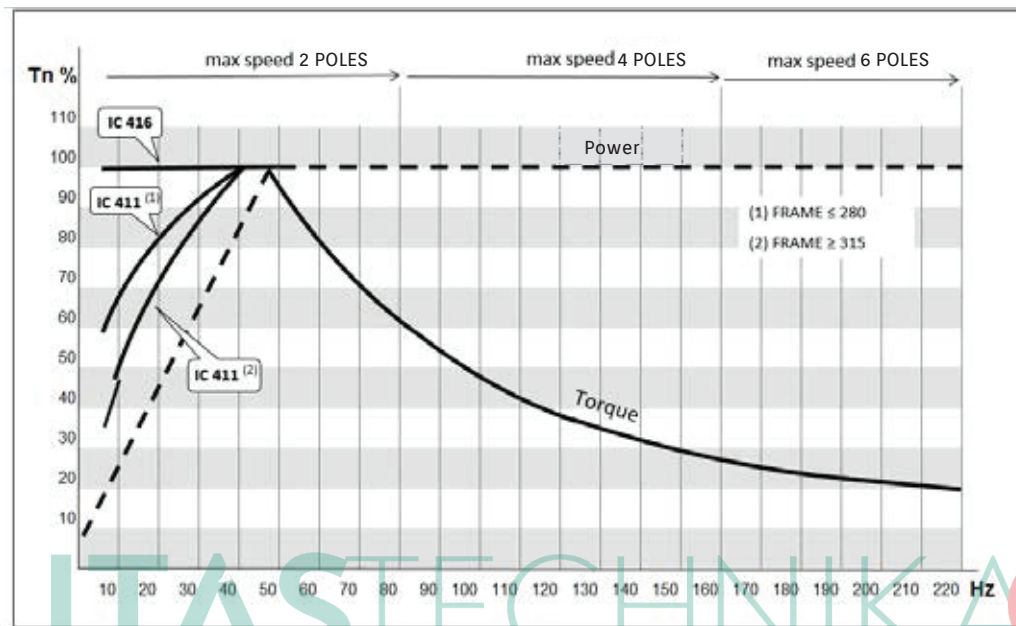


TC series motors from size 160 to size 355 are fitted with a special brass drainage cap that guarantees the degree of protection IP55 allows the condensation to drain without having to remove the cap.

## 24. INVERTER SUPPLY

The motors of the TA,TC and MS series are designed to be powered by inverter, in particular the stator winding has a vacuum pressure impregnation cycle (VPI system) and phase separators are provided in the winding heads.

Motors powered by inverters up to a frequency of 50 Hz (motor winding at 50Hz) and rated voltage have constant torque operation (constant flow field), over 50Hz the torque starts to drop and the motor runs at constant power (weakening range of the flow).



It must be considered that for frequencies below 50Hz (motor winding at 50Hz) the motor ventilation is reduced, for this reason if the application requires it, TA,TC and MS series motors, on request, can be equipped with an auxiliary fan (cooling system IC 416); in this configuration the motors are able to supply the nominal torque in continuous duty S1 even at low speed.

Generally self-ventilated motors (IC411 cooling system) are suitable for loads with quadratic trend respect to the speed, the typical cases are centrifugal pumps and fans.

In the diagram shown in fig. 1 it is possible to establish the motor performance based on speed.

In fig. 1 the motor performance is indicated starting from 5Hz, for lower frequency values, performance is strongly conditioned by the type of control and the quality of the inverter. The inverter is a device that feeds the motor with a non-sinusoidal voltage with a certain harmonic content, this feature added to the influence of the supply powers cables, can significantly affect the performance of the motor in this area.



When the inverters are used, particular attention must be given to the insulation of the motor, the fast voltage fronts present at the motor supply terminals ( $dV / dT = V_{pk}$  peak voltage) caused by the reduced IGBT switching times, produce considerable stresses on the insulating materials. The supply voltage and the length of the motor supply power cables contribute to amplifying the voltage peaks transmitted to the motor. There are several solutions to this problem, which can also be applied in combination with each other, to increase their effectiveness. The most common solutions to the problem presented are:

- 1) Insertion of a reactance at the inverter output.
- 2) Reduction of inverter switching frequency (caution; this solution increases motor noise).
- 3) Winding with reinforced insulation.
- 4) Insert  $dV / dT$  (peak voltage,  $V_{pk}$ , filters) filters in inverter output.
- 5) Insertion of sinusoidal filters at the inverter output.

FRAME	SUPPLY VOLTAGE $\leq 500V$	
	PEAK VOLTAGE	PRECAUTIONS
$\leq 250$	$V_{pk} \leq 800V$ , time of voltage front $\geq 1\mu s$	None
$280 \div 315$	$V_{pk} \leq 1.000V$ , time of voltage front $\geq 1\mu s$	To evaluate by analyzing the application
$\geq 355$	$V_{pk} \leq 1.350V$ , time of voltage front $\geq 1\mu s$	To evaluate by analyzing the application

# HAJTASTECHNIKA hu

Motors powered by inverters may be affected by eddy current phenomena caused by induced magnetic fields. The magnitude of these currents depends on the powers involved and on the characteristics of the inverter, normally motors with a power  $\leq 75kW$  do not require special measures.

Eddy currents are the main cause of bearing damage in a short time, especially regarding the NDE bearing.

In the case of motors powered by inverters with power  $> 75kW$  to avoid the problem caused by eddy currents, Simotop recommends the use of an insulated bearing (normally provided on the NDE side of the motor), or alternatively brush devices able to protect the bearings from this phenomenon.

To avoid any damage to the motor when the motor is powered by an inverter, it is recommended to provide in the windings of the PTC type temperature sensors to be connected to the inverter protections or to a special motor protection device.

The above, together with a correct grounding of the motor - inverter - operating machine system, guarantees the best results.

## 25. MAXIMUM SPEED

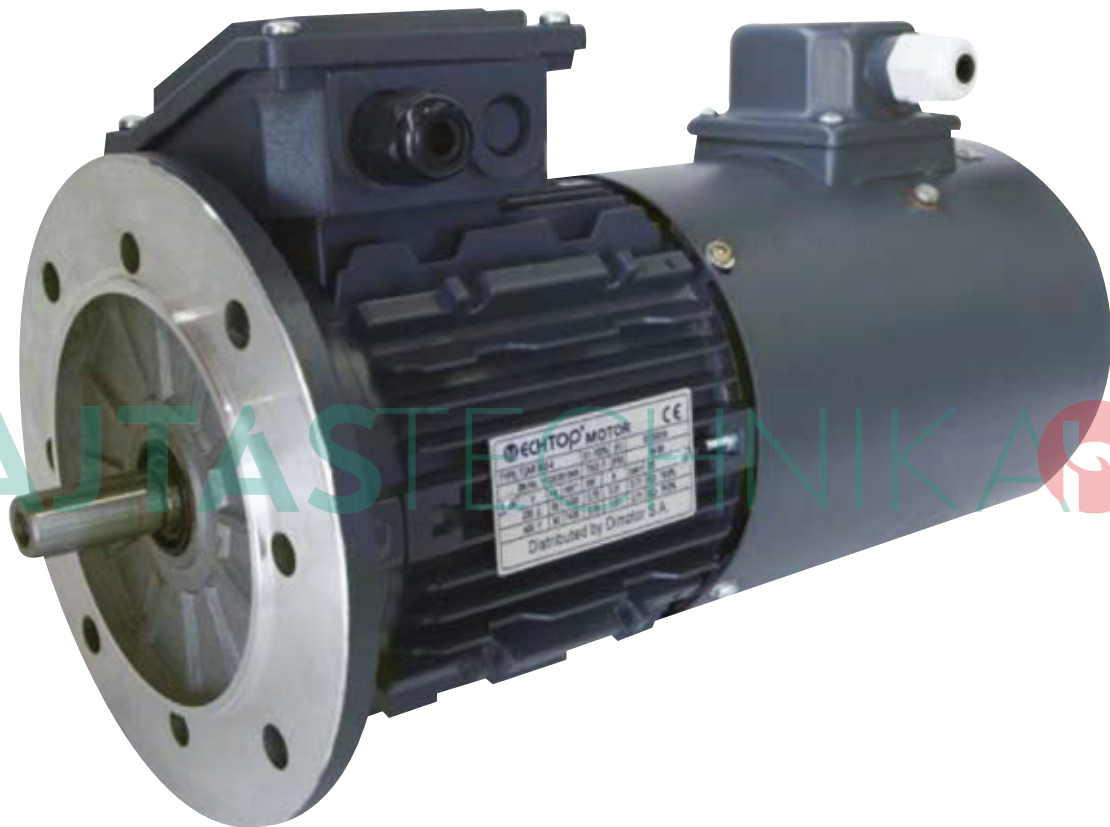
Motors powered by inverters can operate at frequencies higher than the nominal one, supplying the nominal power up to the maximum frequency indicated in the table below. In these conditions the engine torque is reduced as indicated in the diagram of fig. 1. In any case the motor maximum speeds, also at no load operation or dragged by the machine, must never exceed the limit mentioned in the following table:

FRAME SIZE	MAX PERMISSIBLE SPEED			
	2 POLES	4 POLES	6 POLES	8 POLES
132	5000	5000	4500	4500
160	5000	5000	4500	4500
180	5000	5000	4500	4500
200	5000	5000	4500	4500
225	4500	4500	4000	4000
250	4000	4000	3800	3800
280	4000	3000	3000	3000
315	3600	2600	2600	2600
355	3600	2600	2600	2600

Maximum allowable curves, continuous duty S1, 2-4-6 poles motor with forced ventilation (IC416)

## 26. AUXILIARY FANS

All frame sizes can be supplied with cooling system IC 416 (forced ventilation) on request. In this case a proper fan is fitted inside the fan cover, suitably reinforced.  
Consequently the ventilation is independent on the rotational speed of the motor itself.  
This solution is particularly suitable for inverter supplied motors.



 **SIMOTOP**<sup>®</sup>  
GROUP



## 26. AUXILIARY FANS

Auxiliary fans three phases

Motor size	Voltage	Output(W)	Current (A)	Speed (rpm)	Air Volume(m3/h)	Air Pressure (Pa)	Noise dB(A)
63	230/400V/50HZ	24	0,065	2800	45	40	62
	230/400V/60HZ	25	0,06	3300			
	460-480V/60HZ	32	0,07	3400			
71	230/400V/50HZ	35	0,1	2800	52	50	62
	230/400V/60HZ	25	0,07	3300			
	460-480V/60HZ	33	0,07	3300			
80	230/400V/50HZ	37	0,1	2700	58	60	62
	230/400V/60HZ	30	0,07	3100			
	460-480V/60HZ	35	0,08	3400			
90	230/400V/50HZ	45	0,1	2500	91	80	65
	230/400V/60HZ	45	0,08	2800			
	460-480V/60HZ	50	0,08	3200			
100	230/400V/50HZ	72	0,185	2750	142	80	67
	230/400V/60HZ	69	0,14	3150			
	460-480V/60HZ	75	0,13	3250			
112	230/400V/50HZ	85	0,175	2600	229	80	67
	230/400V/60HZ	95	0,16	2800			
	460-480V/60HZ	110	0,21	3000			
132	230/400V/50HZ	50	0,195	1450	337	35	69
	230/400V/60HZ	50	0,155	1650			
	460-480V/60HZ	60	0,2	1700			
160	230/400V/50HZ	60	0,2	1400	609	40	72
	230/400V/60HZ	72	0,18	1600			
	460-480V/60HZ	110	0,29	1600			
180	230/400V/50HZ	80	0,22	1350	686	55	72
	230/400V/60HZ	100	0,2	1500			
	460-480V/60HZ	145	0,32	1600			
200	230/400V/50HZ	110	0,23	1250	1679	65	72
	230/400V/60HZ	140	0,25	1300			
	460-480V/60HZ	155	0,32	1600			
225	230/400V/50HZ	170	0,37	1350	1786	70	74
	230/400V/60HZ	250	0,43	1500			
	460-480V/60HZ	240	0,45	1550			
250	230/400V/50HZ	200	0,55	1400	1813	80	75
	230/400V/60HZ	260	0,55	1600			
	460-480V/60HZ	300	0,59	1650			
280	230/400V/50HZ	200	0,5	1350	2415	85	78
	230/400V/60HZ	280	0,55	1500			
	460-480V/60HZ	270	0,6	1700			
315	230/400V/50HZ	350	0,75	1400	2820	110	81
	230/400V/60HZ	500	0,95	1550			
	460-480V/60HZ	400	1,2	1650			
355	230/400V/50HZ	280	1,4	960	3500	80	85
	230/400V/60HZ	350	1,1	1100			
	460-480V/60HZ	400	1,4	1050			

## Auxiliary fans three phases

Motor size	Voltage	Output(W)	Current (A)	Speed (rpm)	Air Volume(m3/h)	Air Pressure (Pa)	Noise dB(A)
112	400/690V 50HZ	90	0.25/0.14	2600	229	80	67
132	400/690V 50HZ	60	0.21/0.12	1450	337	35	69
160	400/690V 50HZ	80	0.25/0.14	1400	609	40	72
180	400/690V 50HZ	90	0.27/0.15	1400	686	55	72
200	400/690V 50HZ	130	0.30/0.17	1400	1679	65	72
225	400/690V 50HZ	100	0.38/0.22	1450	1786	70	74
250	400/690V 50HZ	150	0.52/0.30	1420	1813	80	75
280	400/690V 50HZ	220	0.55/0.32	1400	2415	85	78
315	400/690V 50HZ	450	0.90/0.50	1300	2820	110	81
355	400/690V 50HZ	300	1.25/0.70	900	3500	80	85

## Auxiliary fans three phases

Motor size	Voltage	Output(W)	Current (A)	Speed (rpm)	Air Volume(m3/h)	Air Pressure (Pa)	Noise dB(A)
71	415V/50HZ	40	0,1	2850	52	50	62
	415V/60HZ	35	0,08	3400			
80	415V/50HZ	40	0,1	2800	58	60	62
	415V/60HZ	35	0,08	3300			
90	415V/50HZ	40	0,1	2700	91	80	65
	415V/60HZ	40	0,08	3100			
100	415V/50HZ	95	0,24	2800	142	80	67
	415V/60HZ	80	0,17	3250			
112	415V/50HZ	100	0,24	2700	229	80	67
	415V/60HZ	105	0,19	3000			

## 26. AUXILIARY FANS



Auxiliary fans single phase

Motor size	Voltage	Output (W)	Current (A)	Speed (rpm)	Air Volume (m³/h)	Air Pressure (Pa)	Capacitor $\mu$ F	Noise dB(A)
63	230V/50HZ	17	0,12	2800	45	40	1	62
71	230V/50HZ	18	0,13	2800	52	50	1	62
80	230V/50HZ	19	0,15	2800	58	60	1	62
90	230V/50HZ	20	0,14	2800	91	80	1	65
100	230V/50HZ	55	0,3	2700	142	80	2	67
112	230V/50HZ	65	0,37	2400	229	80	2	67
132	230V/50HZ	55	0,35	1400	337	35	2	69
160	230V/50HZ	70	0,4	1400	609	40	4	72
180	230V/50HZ	80	0,4	1200	686	55	4	72
200	230V/50HZ	85	0,4	1200	1679	65	4	72
225	230V/50HZ	150	0,7	1300	1786	70	8	74
250	230V/50HZ	195	0,98	1350	1813	80	10	75
280	230V/50HZ	170	0,95	1400	2415	85	10	78
315	230V/50HZ	500	2,5	1400	2820	110	12	81
355	230V/50HZ	500	2,6	950	3500	80	16	85

## Auxiliary fans single phase

Motor size	Voltage	Output (W)	Current (A)	Speed (rpm)	Air Volume (m <sup>3</sup> /h)	Air Pressure (Pa)	Capacitor $\mu$ F	Noise dB(A)
71	240V/50HZ	35	0,15	2800	52	50	1,2	62
80	240V/50HZ	35	0,15	2750	58	60	1,2	62
90	240V/50HZ	40	0,15	2550	91	80	1,2	65
100	240V/50HZ	75	0,36	2800	142	80	2	67
112	240V/50HZ	80	0,37	2600	229	80	2	67
112	230V/50HZ	65	0,37	2400	229	80	2	67

Motor size	Voltage	Output (W)	Current (A)	Speed (rpm)	Air Volume (m <sup>3</sup> /h)	Air Pressure (Pa)	Capacitor $\mu$ F	Noise dB(A)
71	240V/60HZ	35	0,14	3300	52	50	1,2	62
80	240V/60HZ	35	0,14	3250	58	60	1,2	62
90	240V/60HZ	40	0,15	2900	91	80	1,2	65
100	240V/60HZ	75	0,35	3250	142	80	2	67
112	240V/60HZ	95	0,42	2900	229	80	2	67

HAJTASTECHNIKA  hu

 **SIMOTOP**<sup>®</sup>  
GROUP

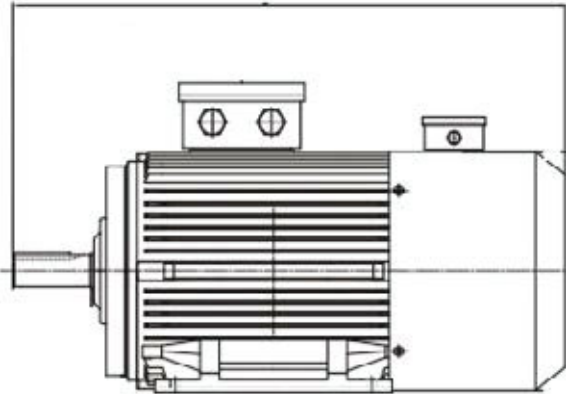


## 26. AUXILIARY FANS

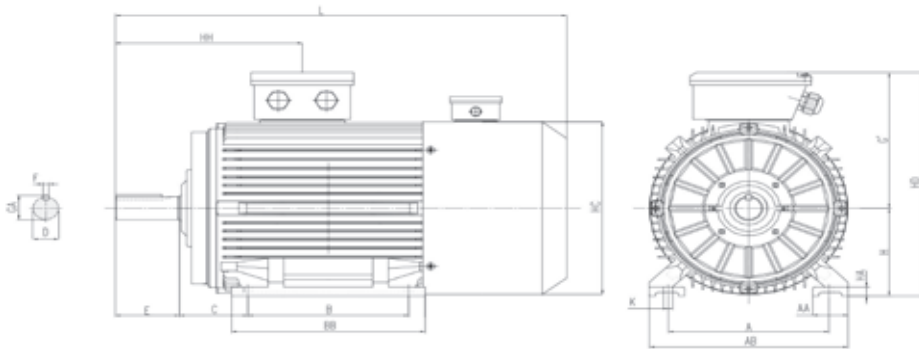
All frame sizes can be supplied with cooling system IC 416 (forced ventilation) on request. In this case a proper fan is fitted inside the fan cover, suitably reinforced. Consequently the ventilation is independent on the rotational speed of the motor itself. This solution is particularly suitable for inverter supplied motors.

In the following table are listed the total lengths L for motors equipped with auxiliary ventilation. If encoder is also fit on the motor, the total L dimension does not change.

L measure of standard motor + measure showed in the table below



Type	Poles	MS Series mm	TA Series mm	TC Series mm
71	2,4,6,8	92	105	
80	2,4,6,8	94	94	
90S	2,4,6,8	99	99	
90L	2,4,6,8	99	99	
100	2,4,6,8	108	108	
112	2,4,6,8	95	95	
132S	2,4,6,8	104	104	70,5
132M	2,4,6,8	104	104	70,5
160M	2,4,6,8		145	91
160L	2,4,6,8		145	101
180M	2,4,6,8			67
180L	2,4,6,8			67
200L	2,4,6,8			58
225S	2,4,6,8			121
225M	2			121
225M	4,6,8			121
250M	2			116
250M	4,6,8			116
280S	2			114
280S	4,6,8			114
280M	2			114
280M	4,6,8			114
315S	2			95
315S	4,6,8			95
315M	2			95
315M	4,6,8			95
315L	2			95
315L	4,6,8			95
355M	2			95
355M	4,6,8			95
355L	2			95
355L	4,6,8			95



TA Series aluminum:

		Dimensions																		
TYPE	Poles	A	AA	AB	B	BB	C	G'	H	HA	HC	HD	HH	K	L	D	E	F	GA	Threaded hole
TA80	2,4,6,8	125	35	159	100	125	50	139	80	11	158	219	109	9	374	19	40	6	21.5	M6
TA90	2,4,6,8	140	37	175	100	130	56	150	90	13	176	240	119	9	411	24	50	8	27	M8
TA90L	2,4,6,8	140	37	175	125	155	56	150	90	13	176	240	119	9	436	24	50	8	27	M8
TA100	2,4,6,8	160	45	200	140	180	63	190	100	14	198	290	140	12	488	28	60	8	31	M10
TA112	2,4,6,8	190	45	224	140	180	70	202	112	14	222	314	147	12	500	28	60	8	31	M10
TA132S	2,4,6,8	216	44	264	140	190	89	222	132	16	262	354	166	12	571	38	80	8	41	M10
TA132M	2,4,6,8	216	44	264	178	228	89	222	132	16	262	354	166	12	609	38	80	10	41	M10

TC series cast iron:

		Dimensions																		
TYPE	Poles	A	AA	AB	B	BB	C	G'	H	HA	HC	HD	HH	K	L	D	E	F	GA	Threaded hole
132S	2.4 .6.8	216	46	255	140	190	89	200	132	16	259	332	168	12	537.5	38	80	10	41	M12
132M	2.4 .6.8	216	46	255	178	228	89	200	132	16	259	332	168	12	575.5	38	80	10	41	M12
160M	2.4 .6.8	254	60	314	210	262	108	242	160	17	313	402	282	15	696	42	110	12	45	M16
160L	2.4 .6.8	254	60	314	254	306	108	242	160	17	313	402	282	15	751	42	110	12	45	M16
180M	2.4 .6.8	279	75	348	241	300	121	259	180	27	360	439	351	15	754	48	110	14	51,5	M16
180L	2.4.6.8	279	75	348	279	338	121	259	180	27	360	439	371	15	792	48	110	14	51,5	M16
200L	2.4.6.8	318	80	388	305	358	133	297	200	25	399	497	395	19	826	55	110	16	59	M20
225S	4.6.8	356	85	436	286	361	149	328	225	28	465	553	423	19	935	60	140	18	64	M20
225M	2	356	85	436	311	386	149	328	225	28	465	553	405	19	930	55	110	16	59	M20
225M	4.6.8	356	85	436	311	386	149	328	225	28	465	553	435	19	960	60	140	18	64	M20
250M	2	406	90	484	349	443	168	366	250	30	506	616	482	24	1034	60	140	18	64	M20
250M	4.6.8	406	90	484	349	443	168	366	250	30	506	616	482	24	1034	65	140	18	69	M20
280S	2	457	100	557	368	459	190	388	280	34	559	668	514	24	1098	65	140	18	69	M20
280S	4.6.8	457	100	557	368	459	190	388	280	34	559	668	514	24	1098	75	140	20	79,5	M20
280M	2	457	100	557	419	510	190	388	280	34	559	668	514	24	1149	65	140	18	69	M20
280M	4.6.8	457	100	557	419	510	190	388	280	34	559	668	514	24	1149	75	140	20	79,5	M20
315S	2	508	120	628	406	590	216	530	315	45	651	845	432	28	1300	65	140	18	58	M20
315S	4.6.8	508	120	628	406	590	216	530	315	45	651	845	462	28	1330	80	170	22	71	M20
315M	2	508	120	628	457	672	216	530	315	45	651	845	432	28	1460	65	140	18	58	M20
315M	4.6.8	508	120	628	457	672	216	530	315	45	645	845	462	28	1480	80	170	22	71	M20
315L	2	508	120	628	508	672	216	530	315	45	651	845	432	28	1450	65	140	18	58	M20
315L	4.6.8	508	120	628	508	672	216	530	315	45	651	845	462	28	1480	80	170	22	71	M20

## 27. PERMISSIBLE LOAD ON THE BEARINGS

The theoretical basic fatigue life for bearings is calculated according to the provisions of the ISO R 281-1 Standard. Life of bearing is calculated assuming that motors are running under normal environmental conditions, without abnormal vibrations, without axial or radial loads beyond the ones mentioned in the following tables and with operating temperatures of the bearings ranging between -30°C and +85°C.

Lasting life calculated in this way is called basic life (L10h) expressed in hours of operation.

50% of bearings reaches a life equal to five times the basic life resulting from such calculation.

In the tables below are mentioned the maximum permitted axial and radial loads for a basic life (L10h), calculated according to the provisions of the ISO Standards, equal to 20.000 and 40.000 hours of operation.

Values of the radial loads are given both for loads applied to the shaft limit extension (Xmax) and in correspondence of the face on the shaft hub (X0).

Radial loads on the bearing change linearly with the position of the application point. Therefore for loads placed at a distance X on the shaft the maximum load that can be applied is given by the following expression:

$$Fra_x = \frac{C_{x0} - C_{xmax}}{X_{max}} \times X + C_{xmax}$$

Where:

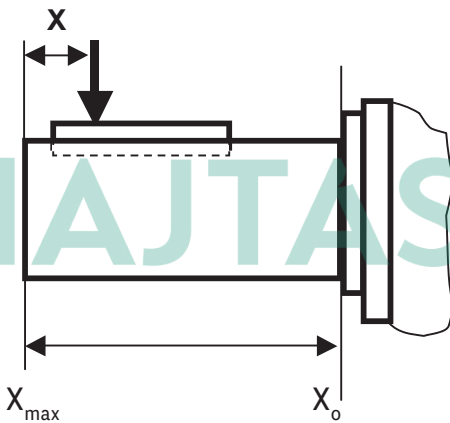
$Fra_x$  = permitted radial load at point X

$C_{x0}$  = permitted radial load at point X0

$C_{xmax}$  = permitted radial load at point Xmax

$X_{max}$  = shaft extension

X = distance from the shaft limit extension to the load application point



To verify that the belt pull does not exceed the maximum value allowed the following formula can be used:

$$F = \frac{19100 \times P \times K}{n \times D}$$

F= radial force in Nm

P= power transmitted in kW

n= numbers of revs. per minute

D= pulley diameter in meters

K= constant



Constant values K:

2	for flat pulley with tension roller
2,25	for sheaves with V belt
2,5-3	for flat belts without tension roller, or for heavy duty with any type of pulley

X increase when  $Fra_x$  moves from  $X_{max}$  to  $X_0$ , X is maximum when  $Fra_x$  is applied in  $X_0$  and  $X=X_{max}$

## 28. MAXIMUM RADIAL AND AXIAL LOADS PERMISSIBLE

MS, TA series mounting IM B3 (50Hz)

Poles	Frame size	Radial load (Nm)				Shaft length mm	Maximum Axial force (N)	
		(L10h) = 20000 hours		(L10h) = 40000 hours				
		$X_o$	$X_{max}$	$X_o$	$X_{max}$			

2	63	450	390	324	281	23	380	190
	71	530	450	382	324	30	460	230
	80	720	590	519	425	40	620	310
	90	800	640	576	461	50	660	330
	100	1100	900	792	648	60	930	465
	112	1100	870	792	627	60	900	450
	132	1800	1400	1296	1008	80	1450	725
	160	3000	2350	2160	1692	110	2000	1000
	180	3000	2400	2160	1728	110	2000	950
	200	1390	350	1001	252	110	2650	710
4	63	570	490	411	353	23	510	255
	71	690	580	497	418	30	620	310
	80	920	750	663	540	40	850	425
	90	1000	810	720	584	50	890	445
	100	1350	1080	972	778	60	1200	600
	112	1300	1050	936	756	60	1170	585
	132	2100	1690	1512	1217	80	1850	925
	160	3600	2000	2592	1440	110	2500	1200
	180	3650	2500	2628	1800	110	2500	1300
	200	1390	950	1001	684	110	3350	850
6	63	630	540	454	389	23	600	300
	71	750	630	540	454	30	720	360
	80	1080	880	778	634	40	1030	515
	90	1130	920	814	663	50	1040	520
	100	1570	1260	1131	908	60	1430	715
	112	1500	1200	1080	864	60	1400	700
	132	2300	1900	1656	1368	80	2150	1075
	160	4200	2000	3024	1440	110	2900	1450
	180	4300	2500	3096	1800	110	2900	1500
	200	1390	950	1001	684	110	3850	850
8	63	770	660	555	476	23	700	350
	71	900	770	648	555	30	840	420
	80	1300	1040	936	749	40	1200	600
	90	1300	1050	936	756	50	1220	610
	100	1900	1550	1368	1116	60	1950	975
	112	1900	1550	1368	1116	60	1920	960
	132	2800	2250	2016	1620	80	2540	1270
	160	4500	2000	3240	1440	110	3300	1650
	180	4900	2500	3528	1800	110	3200	1700
	200	1390	950	1001	684	110	4300	850





## 28. MAXIMUM RADIAL AND AXIAL LOADS PERMISSIBLE

MS, TA series mounting IM V1 (50Hz)

Poles	Frame size	Maximum Axial force (N) in downwards direction		Maximum Axial force (N) in upwards direction	
		(L10h) = 20000 hours	(L10h) = 40000 hours	(L10h) = 20000 hours	(L10h) = 40000 hours

2	63	225	135	400	240
	71	300	180	480	288
	80	450	270	670	402
	90	500	300	720	432
	100	650	390	1000	600
	112	620	372	1000	600
	132	980	588	1100	660
	160	2000	1200	1970	1182
	180	2130	1278	1800	1080
	200	3200	1920	1650	990
4	63	390	234	540	324
	71	400	240	650	390
	80	690	414	900	540
	90	730	438	970	582
	100	900	540	1300	780
	112	860	516	1300	780
	132	1320	792	1500	900
	160	2040	1224	1660	996
	180	1990	1194	1820	1092
	200	2750	1650	1300	780
6	63	460	276	610	366
	71	470	282	750	450
	80	860	516	1060	636
	90	870	522	1150	690
	100	1100	660	1550	930
	112	1050	630	1550	930
	132	1700	1020	2500	1500
	160	2470	1482	1880	1128
	180	2340	1404	2050	1230
	200	3140	1884	1560	936
8	63	550	330	610	366
	71	560	336	750	450
	80	1050	630	1060	636
	90	1060	636	1150	690
	100	1400	840	1600	960
	112	1500	900	1600	960
	132	2000	1200	1900	1140
	160	2930	1758	2020	1212
	180	2680	1608	2230	1338
	200	3660	2196	1380	828



## TC series mounting IM B3 (50Hz)

Poles	Frame size	Radial force (N)				Shaft length mm	Maximum Axial force (N)	
		(L10h) = 20000 hours		(L10h) = 40000 hours				
		$X_o$	$X_{max}$	$X_o$	$X_{max}$			

2	132S1-2	2300	1800	1656	1296	80	1900	890
	132S2-2	2300	1800	1656	1296	80	1900	890
	160M1-2	3000	2400	2160	1728	110	2000	1000
	160M2-2	3000	2300	2160	1656	110	2000	1000
	160L-2	3000	2400	2160	1728	110	2000	1000
	180M-2	3000	2400	2160	1728	110	2000	1050
	200L1-2	1390	950	1000	684	110	2650	1100
	200L2-2	4600	3800	3312	2736	110	2650	1100
	225M-2	4550	3800	3276	2736	110	3000	1750
	250M-2	3260	2000	2347	1440	140	3400	1700
	280S-2	4600	3750	3312	2700	140	3250	1460
	280M-2	4600	3750	3312	2700	140	3250	1460
	315S-2	6100	3530	4392	2541	140	4000	1800
	315M-2	6100	3530	4392	2541	140	4000	1800
	315L1-2	6330	4000	4557	2880	140	3240	1458
315L2-2	6330	4000	4557	2880	140	3240	1458	
4	132S-4	2900	2300	2088	1656	80	2100	1050
	132M-4	2800	2300	2016	1656	80	2100	1250
	160M-4	3600	2000	2592	1440	110	2500	1200
	160L-4	3600	2000	2592	1440	110	2500	1200
	180M-4	3650	2500	2628	1800	110	2500	1300
	180L-4	3650	2500	2628	1800	110	2500	1300
	200L-4	1390	950	1000	684	110	3350	1100
	225S-4	5400	3800	3888	2736	140	3700	1100
	225M-4	5400	3800	3888	2736	140	3700	2100
	250M-4	3260	2000	2347	1440	140	4200	2050
	280S-4	6000	3500	4320	2520	140	4050	1820
	280M-4	6000	3500	4320	2520	140	4050	1820
	315S-4	21300	8700	15336	6264	170	4850	2200
	315M-4	21300	8700	15336	6264	170	4850	2200
	315L1-4	16000	9500	11520	6840	170	3930	1768
315L2-4	16000	9500	11520	6840	170	3930	1768	

## 28. MAXIMUM RADIAL AND AXIAL LOAD PERMISSIBLE

TC series mounting IM B3 (50Hz)

Poles	Frame size	Radial force (N)				Shaft length mm	Maximum Axial force (N)	
		(L10h) = 20000 hours		(L10h) = 40000 hours				
		$X_0$	$X_{max}$	$X_0$	$X_{max}$			

6	132M2-6	3200	2600	2304	1872	80	2600	1300
	160M-6	4300	2000	3096	1440	110	2900	1450
	160L-6	4300	2000	3096	1440	110	2900	1450
	180L-6	4300	2500	3096	1800	110	2900	1500
	200L1-6	1390	950	1001	684	110	3850	1100
	200L2-6	1390	950	1001	684	110	3850	1100
	225M-6	6300	3800	4536	2736	140	4300	2500
	250M-6	3260	2000	2348	1440	140	4800	2000
	280S-6	6000	3500	4320	2520	140	4700	3100
	280M-6	6000	3500	4320	2520	140	4700	3100
	315S-6	22000	8400	15840	6048	170	5600	2464
	315M-6	22000	8400	15840	6048	170	5600	2464
	315L1-6	16000	6500	11520	4680	170	4500	1980
	315L2-6	16000	6500	11520	4680	170	4500	1980
8	160M2-8	4500	2000	3240	1440	110	3300	1650
	160L-8	4500	2000	3240	1440	110	3300	1650
	180L-8	4900	2500	3528	1800	110	3200	1700
	200L-8	1390	950	1001	684	110	4300	1100
	225S-8	7000	3800	5040	2736	140	4750	2750
	225M-8	7000	3800	5040	2736	140	4750	2750
	250M-8	3260	2000	2348	1440	140	5400	2120
	280S-8	6000	3500	4320	2520	140	5200	3250
	280M-8	6000	3500	4320	2520	140	5200	3250
	315S-8	19800	8250	14256	5940	170	6200	2728
	315M-8	19800	8250	14256	5940	170	6200	2728
	315L1-8	15700	6350	11304	4572	170	6200	2728
	315L2-8	15700	6350	11304	4572	170	6200	2728

## TC series mounting IM V1 (50Hz)

Poles	Frame size	Maximum Axial force (N) in downwards direction		Maximum Axial force (N) in upwards direction	
		(L10h) = 20000 hours	(L10h) = 40000 hours	(L10h) = 20000 hours	(L10h) = 40000 hours

2	132S1-2	1600	960	1900	1140
	132S2-2	1600	960	1900	1140
	160M1-2	1730	1038	1270	762
	160M2-2	1730	1038	1270	762
	160L-2	1730	1038	1270	762
	180M-2	1650	990	1300	780
	200L1-2	2190	1314	1170	702
	200L2-2	2190	1314	1170	702
	225M-2	2380	1428	2370	1422
	250M-2	2700	1620	2410	1446
	280S-2	2130	1278	4370	2622
	280M-2	2130	1278	4370	2622
	315S-2	2560	1536	5800	3480
	315M-2	2560	1536	5800	3480
	315L1-2	2900	1740	5900	3540
315L2-2	2900	1740	5900	3540	
4	132S-4	1600	960	1520	912
	132M-4	1600	960	1520	912
	160M-4	2040	1224	1660	996
	160L-4	2040	1224	1660	996
	180M-4	2000	1200	1820	1092
	180L-4	2000	1200	1820	1092
	200L-4	2750	1650	1310	786
	225S-4	2780	1668	3050	1830
	225M-4	2780	1668	3050	1830
	250M-4	3160	1896	3000	1800
	280S-4	2430	1458	5600	3360
	280M-4	2430	1458	5600	3360
	315S-4	1950	1170	7750	4650
	315M-4	1950	1170	7750	4650
	315L1-4	1270	762	7460	4476
315L2-4	1270	762	7460	4476	





## 28. MAXIMUM RADIAL AND AXIAL LOAD PERMISSIBLE

TC series mounting IM V1 (50Hz)

Poles	Frame size	Maximum Axial force (N) in downwards direction		Maximum Axial force (N) in upwards direction	
		(L10h) = 20000 hours	(L10h) = 40000 hours	(L10h) = 20000 hours	(L10h) = 40000 hours

6	132M2-6	2300	1495	1650	1073
	160M-6	2450	1593	1880	1222
	160L-6	2450	1593	1880	1222
	180L-6	2320	1508	2060	1339
	200L1-6	3100	2015	1450	943
	200L2-6	3100	2015	1450	943
	225M-6	3300	2145	3500	2275
	250M-6	3600	2340	3250	2113
	280S-6	3100	2015	6300	4095
	280M-6	3100	2015	6300	4095
	315S-6	1150	748	4100	2665
	315M-6	1150	748	4100	2665
	315L1-6	900	585	4300	2795
	315L2-6	900	585	4300	2795
8	160M2-8	2900	1885	2020	1313
	160L-8	2900	1885	2020	1313
	180L-8	2700	1755	2240	1456
	200L-8	3700	2405	1650	1073
	225S-8	3850	2503	3700	2405
	225M-8	3850	2503	3700	2405
	250M-8	4300	2795	9600	6240
	280S-8	3650	2373	6700	4355
	280M-8	3650	2373	6700	4355
	315S-8	1800	1170	4250	2763
	315M-8	2800	1820	4250	2763
	315L1-8	1800	1170	4780	3107
	315L2-8	1300	845	4780	3107

## TC series mounting IM B3 (50Hz)

Poles	Frame size	Radial force (N)				Shaft length mm	Maximum Axial force (N)	
		(L10h) = 20000 hours		(L10h) = 40000 hours				
		$X_0$	$X_{max}$	$X_0$	$X_{max}$			
2	355	4300	2200	3096	1584	140	2000	2000
4	355	9000	6500	6480	4680	210	6000	6000
6	355	9800	3400	7056	2448	210	7000	7000
8	355	9800	3000	7056	2160	210	8000	8000


## TC series mounting IM V1 (50Hz)

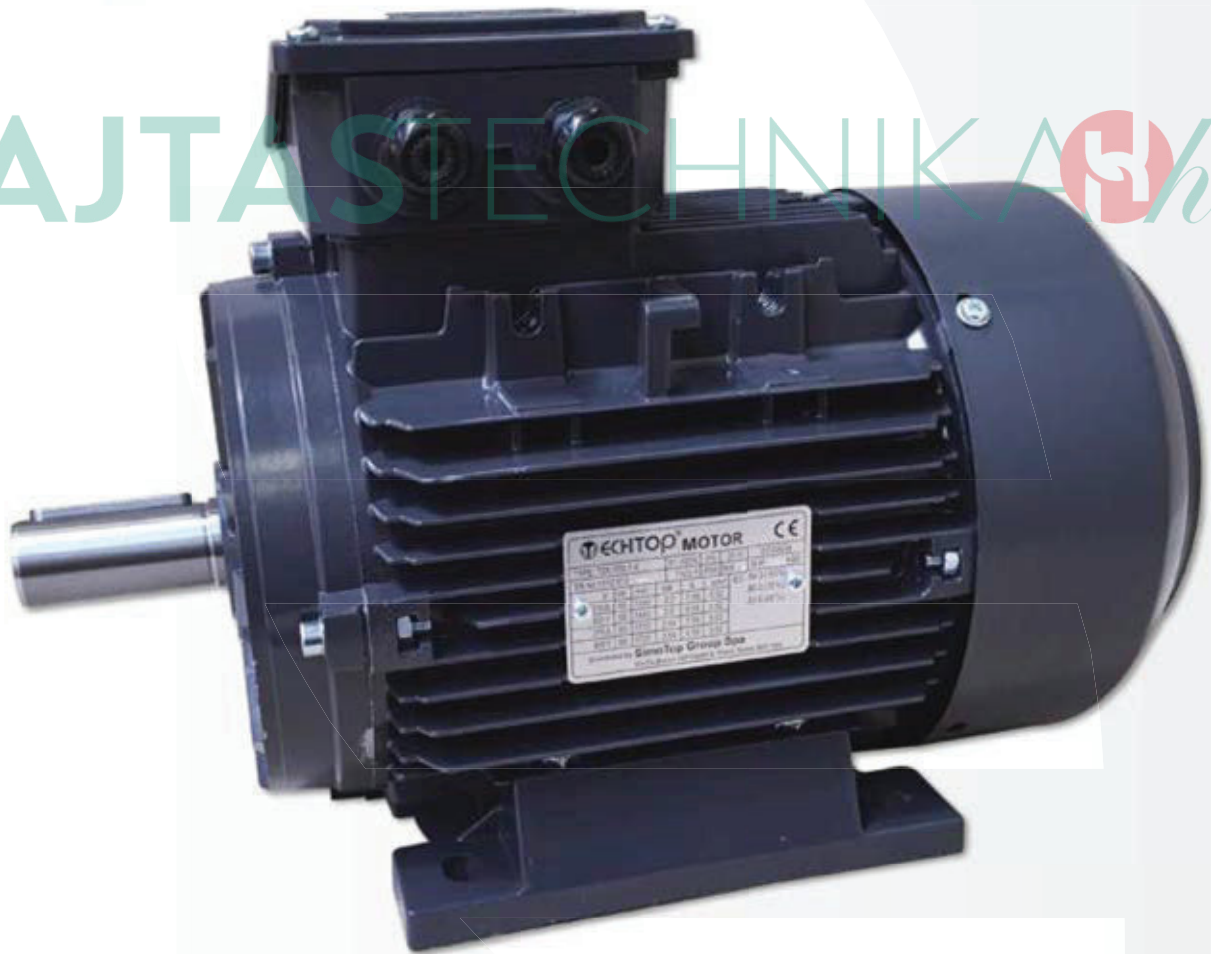
Poles	Frame size	Maximum Axial force (N) in downwards direction		Maximum Axial force (N) in upwards direction	
		(L10h) = 20000 hours	(L10h) = 40000 hours	(L10h) = 20000 hours	(L10h) = 40000 hours
2	355	3690	2325	200	126
4	355	1880	1185	14100	8883
6	355	400	252	15800	9954
8	355	400	252	17100	10773

**ECO-TOP  
POWER**

# TA Series

ELECTRICAL AND MECHANICAL DATA

HAJTASTECHNIKA  hu



ALUMINUM HOUSING

## 35. TA SERIES – Three-Phase Asynchronous single speed motors

Electrical data (50Hz) Efficiency IE1 - 2 poles

Type	Power (kW)	Current (A)			Current (A)			Current (A)			rpm	Eff. (%)	Power factor (Cosφ)	Cs/ Cn	Cmax/ Cn	Cn (Nm)	Cmin/ Cn	Is/In	dB(A)	PD <sup>2</sup> Kg <sup>m</sup> <sup>2</sup>
		220V	380V	660V	230V	400V	690V	240V	415V	720V										
T1A 801-2	0,75	3,37	1,95	1,12	3,22	1,85	1,07	3,09	1,78	1,03	2860	72,1	0,81	2,1	2,5	2,52	1,5	5,7	67	0,000896
T1A 802-2	1,1	4,70	2,72	1,57	4,5	2,58	1,5	4,31	2,49	1,44	2860	75	0,82	2,6	2,8	3,70	1,8	6,5	67	0,001124
T1A 90S-2	1,5	6,31	3,64	2,10	6	3,46	2	5,78	3,33	1,93	2870	77,2	0,81	2,3	2,8	5,04	1,4	6,6	72	0,001856
T1A 90L1-2	2,2	8,75	5,05	2,92	8,31	4,8	2,77	8,01	4,63	2,67	2870	79,7	0,83	2,6	2,7	7,41	1,8	7,1	72	0,002306
T1A 100L1-2	3	11,8	6,82	3,94	11,27	6,48	3,76	10,8	6,25	3,61	2890	81,5	0,82	2,7	3,2	10,08	2,1	7,7	76	0,003776
T1A 112M1-2	4	14,5	8,4	4,85	13,82	7,98	4,61	13,3	7,69	4,44	2900	83,1	0,87	2,8	3,6	13,17	1,7	9,2	77	0,006311
T1A 132S1-2	5,5	19,9	11,5	6,62	18,95	10,9	6,32	18,2	10,5	6,07	2900	84,7	0,86	2,2	2,8	18,14	2,2	6,8	80	0,012058
T1A 132S2-2	7,5	26,6	15,4	8,87	25,46	14,6	8,49	24,4	14,1	8,12	2910	86	0,86	2,7	3,2	24,70	2,5	8,2	80	0,015212
T1A 160M1-2	11	38,0	21,9	12,7	36,23	20,83	12,08	34,8	20,1	11,6	2910	87,6	0,87	2,6	3,1	36,10	1,5	7,9	86	0,044380
T1A 160M2-2	15	51,2	29,5	17,1	48,79	28,06	16,26	46,8	27,0	15,6	2910	88,7	0,87	2,8	3,3	49,26	1,4	8,6	86	0,055805
T1A 160L1-2	18,5	61,3	35,4	20,4	58,43	33,60	19,48	56,1	32,4	18,7	2910	89,3	0,89	3	3,4	69,74	1,6	9,3	86	0,065593
T1A 180M-2	22	71,3	41,3	23,8	69,0	39,7	23,0	65,3	37,8	21,8	2920	89,9	0,89	2,3	2,6	71,95	2	7,2	88	0,090185
T1A 200L1-2	30	96,0	55,6	32,1	93,3	53,64	31,1	88,0	50,9	29,4	2915	90,7	0,89	2,3	2,6	98,28	2	7	88	0,114999
T1A 200L2-2	37	117	67,9	39,2	114,4	65,80	38,2	108	62,2	35,9	2920	91,2	0,89	2,3	2,7	121	2	7,2	87	0,136738

HAJTASTECHNIKA hu

Electrical data (50Hz) Efficiency IE1 - 4 poles

Type	Power (kW)	Current (A)			Current (A)			Current (A)			rpm	Eff. (%)	Power factor (Cosφ)	Cs/ Cn	Cmax/ Cn	Cn (Nm)	Cmin/ Cn	Is/In	dB(A)	PD <sup>2</sup> Kg <sup>m</sup> <sup>2</sup>
		220V	380V	660V	230V	400V	690V	240V	415V	720V										
T1A 801-4	0,55	2,99	1,73	1,00	2,86	1,64	0,95	2,74	1,58	0,91	1400	71	0,68	2	2,3	3,86	1,6	4,8	57	0,001453
T1A 802-4	0,75	3,90	2,25	1,30	3,73	2,14	1,24	3,57	2,06	1,19	1400	72,1	0,7	2	2,4	5,08	1,7	5	58	0,001690
T1A 90S-4	1,1	5,36	3,09	1,79	5,11	2,94	1,7	4,91	2,83	1,64	1400	75	0,72	2,1	2,3	7,42	1,9	5	61	0,002675
T1A 90L1-4	1,5	6,91	3,99	2,30	6,6	3,79	2,2	6,33	3,65	2,11	1410	77,2	0,74	2,6	2,4	10,16	2,1	5,7	61	0,003519
T1A 100L1-4	2,2	9,55	5,52	3,18	9,12	5,24	3,04	8,75	5,05	2,92	1430	79,7	0,76	2,2	2,8	14,79	1,9	6	64	0,006775
T1A 100L2-4	3	12,6	7,26	4,19	12	6,9	4	11,5	6,65	3,84	1430	81,5	0,77	2,5	2,8	20,17	2,1	6,7	64	0,008424
T1A 112M1-4	4	16,0	9,25	5,34	15,2	8,79	5,08	14,7	8,47	4,89	1440	83,1	0,79	2,3	3,3	26,81	2,1	7,8	65	0,013228
T1A 132S-4	5,5	21,1	12,2	7,03	20,12	11,57	6,71	19,3	11,2	6,44	1440	84,7	0,81	1,8	2,9	36,99	1,7	7,1	71	0,028012
T1A 132M1-4	7,5	28,7	16,6	9,56	27,36	15,73	9,12	26,3	15,2	8,75	1440	86	0,8	2,9	3,3	49,76	1,9	8,4	71	0,037145
T1A 160M-4	11	37,6	21,7	12,5	35,76	20,64	11,92	34,5	19,9	11,5	1460	87,6	0,87	2,3	2,8	73,46	1,3	6,8	75	0,080254
T1A 160L1-4	15	51,3	29,6	17,1	48,76	28,15	16,25	47,0	27,1	15,7	1460	88,7	0,87	2,4	2,6	99,82	1,4	7,5	75	0,105640
T1A 180M-4	18,5	62,4	36,1	20,8	59,1	33,98	19,8	57,2	33,1	19,1	1435	89,3	0,88	2,3	2,7	123,11	2	7,2	78	0,155064
T1A 180L-4	22	73,8	42,7	24,7	70,1	40,60	23,6	67,7	39,1	22,6	1450	89,9	0,87	2,3	2,6	144,89	2	7,3	78	0,173293
T1A 200L-4	30	99,5	57,6	33,2	93,8	53,64	31,1	91,2	52,7	30,4	1450	90,7	0,89	2,3	2,6	197,57	2	7,6	80	0,224084



## Electrical data (50Hz) Efficiency IE1 - 6 poles

Type	Power (kW)	Current (A)			Current (A)			Current (A)			rpm	Eff. (%)	Power factor (Cosφ)	Cs/ Cn	Cmax/ Cn	Cn (Nm)	Cmin/ Cn	ls/ln	dB(A)	PD <sup>2</sup> Kgm <sup>2</sup>
		220V	380V	660V	230V	400V	690V	240V	415V	720V										
T1A 801-6	0,37	2,46	1,42	0,82	2,34	1,35	0,78	2,25	1,30	0,75	910	61	0,65	1,9	2,2	3,93	1,8	3,2	56	0,001596
T1A 802-6	0,55	3,45	1,99	1,15	3,29	1,89	1,1	3,16	1,82	1,05	910	63,6	0,66	2,1	2,3	5,84	1,9	3,5	56	0,002041
T1A 90S-6	0,75	4,21	2,43	1,40	4,01	2,31	1,34	3,86	2,23	1,29	930	70	0,67	1,8	2,2	7,70	1,5	4,1	59	0,003266
T1A 90L-6	1,1	5,93	3,42	1,98	5,65	3,25	1,88	5,43	3,13	1,81	930	72,9	0,67	1,9	2,3	11,29	1,8	4,1	59	0,004281
T1A 100L-6	1,5	7,40	4,27	2,47	7,52	4,06	2,35	6,78	3,91	2,26	940	75,2	0,71	1,9	2,6	15,32	1,8	4,6	61	0,007543
T1A 112M1-6	2,2	10,8	6,23	3,60	10,3	5,92	3,43	9,88	5,71	3,29	940	77,7	0,69	1,9	2,3	22,64	1,8	4,8	64	0,013950
T1A 132S-6	3	13,8	7,95	4,59	13,12	7,55	4,37	12,6	7,28	4,20	960	79,7	0,72	1,9	2,5	30,64	1,4	5,7	64	0,030457
T1A 132M1-6	4	17,7	10,23	5,91	16,9	9,72	5,63	16,2	9,37	5,41	960	81,4	0,73	2	2,6	40,64	1,5	5,9	68	0,037251
T1A 132M2-6	5,5	23,9	13,8	7,96	22,76	13,09	7,59	21,9	12,6	7,28	960	83,1	0,73	2,1	2,7	55,87	1,6	6,2	68	0,048966
T1A 160M-6	7,5	31,1	17,9	10,4	29,5	17,0	9,84	28,4	16,4	9,48	965	84,7	0,75	2,4	2,9	74,25	1,7	6,7	68	0,086226
T1A 160L-6	11	43,5	25,1	14,5	41,3	23,9	13,8	39,8	23,0	13,3	965	86,4	0,77	2,5	2,7	108,91	1,5	6,9	73	0,116874
T1A 180L-6	15	54,6	31,6	18,2	54,2	31,25	18,1	50,1	28,9	16,7	955	87,7	0,79	2,3	2,7	149,99	2	7,2	75	0,254063
T1A 200L1-6	18,5	66,6	38,6	22,2	63,3	36,31	21,1	61,0	35,3	20,3	960	88,6	0,83	2,3	2,7	184,02	2	6,9	78	0,303941
T1A 200L2-6	22	77,3	44,7	25,8	74,6	42,89	24,9	70,8	41,0	23,6	960	89,2	0,83	2,3	2,6	218,84	2	7,3	78	0,353160

HAJTASTECHNIKA hu

## Electrical data (50Hz) - 8 poles

Type	Power (kW)	Current (A)			Current (A)			Current (A)			rpm	Eff. (%)	Power factor (Cosφ)	Cs/ Cn	Cmax/ Cn	Cn (Nm)	Cmin/ Cn	ls/ln	dB(A)	PD <sup>2</sup> Kgm <sup>2</sup>
		220V	380V	660V	230V	400V	690V	240V	415V	720V										
T1A 801-8	0,18	1,51	0,87	0,50	1,44	0,83	0,48	1,39	0,80	0,46	690	54,8	0,57	2,2	2,4	2,6	2	3	52	0,002021
T1A 802-8	0,25	1,95	1,13	0,65	1,86	1,07	0,62	1,79	1,03	0,60	690	58,2	0,58	2,3	2,4	3,6	2	3,1	52	0,002323
T1A 90S-8	0,37	2,57	1,48	0,86	2,45	1,41	0,82	2,35	1,36	0,78	700	64	0,59	1,9	2,3	5,05	1,7	3,3	56	0,003266
T1A 90L-8	0,55	3,83	2,21	1,28	3,66	2,1	1,22	3,51	2,02	1,17	700	65	0,58	1,9	2,3	7,6	1,7	3,4	56	0,004281
T1A 100L1-8	0,75	4,69	2,71	1,56	4,47	2,57	1,49	4,29	2,48	1,43	700	68	0,62	1,9	1,8	10,4	2,2	3,6	59	0,006346
T1A 100L2-8	1,1	6,67	3,85	2,22	6,36	3,66	2,12	6,11	3,53	2,04	700	70	0,62	1,9	2,1	15,2	1,8	3,5	59	0,008340
T1A 112M-8	1,5	9,23	5,33	3,08	8,8	5,06	2,93	8,45	4,88	2,82	700	72,5	0,59	1,8	2,3	20,5	1,8	4	61	0,013950
T1A 132S-8	2,2	12,5	7,21	4,16	11,91	6,85	3,97	11,44	6,60	3,81	710	78,6	0,59	1,9	2,4	29,8	1,7	4,9	64	0,032131
T1A 132M-8	3	16,4	9,45	5,46	15,61	8,98	5,2	15,0	8,66	5,00	710	80,4	0,6	2	2,5	40,4	1,8	5,1	64	0,040598
T1A 160M1-8	4	18,3	10,6	6,11	17,4	10,1	5,81	16,8	9,70	5,60	715	82	0,7	1,8	2,3	53,8	1,6	4,6	68	0,071036
T1A 160M2-8	5,5	24,8	14,3	8,25	23,5	13,6	7,84	22,7	13,1	7,56	710	83,5	0,7	1,9	2,4	73	1,8	4,8	68	0,086226
T1A 160L-8	7,5	33,0	19,0	11,0	31,3	18,1	10,4	30,2	17,4	10,1	715	85,5	0,7	2,5	2,8	100	2	5,7	68	0,113076
T1A 180L-8	11	45,2	26,2	15,1	26,3	24	13,2	41,5	24,0	13,8	730	86	0,76	2,1	2,2	144	1,8	5,1	70	0,261094
T1A 200L-8	15	58,9	34,1	19,6	57,4	33	18,6	54,0	31,2	18,0	730	87	0,76	2,1	2,2	196	1,8	5,3	70	0,339098

## 35. TA SERIES – Three-Phase Asynchronous single speed motors

Electrical data (50Hz) Efficiency IE2 - 2 poles

Type	Power (kW)	Current (A)			Current (A)			Current (A)			rpm	Eff. (%)	Power factor (Cosφ)	Cs/ Cn	Cmax/ Cn	Cn (Nm)	Cmin/ Cn	ls/ln	dB(A)	PD <sup>2</sup> Kg <sup>m</sup> <sup>2</sup>
		220V	380V	660V	230V	400V	690V	240V	415V	720V										
T2A 801-2	0,75	3,15	1,82	1,05	3,00	1,73	1,00	2,88	1,66	0,96	2840	77,4	0,81	2,6	2,8	2,51	2,2	6,1	67	0,000896
T2A 802-2	1,1	4,43	2,56	1,48	4,21	2,43	1,40	4,06	2,34	1,35	2880	79,6	0,82	2,6	2,6	3,69	1,8	7	67	0,001124
T2A 90S-2	1,5	5,83	3,37	1,94	5,55	3,20	1,85	5,34	3,08	1,78	2880	81,3	0,83	2,8	3	5,02	2	7,2	72	0,001856
T2A 90L1-2	2,2	8,28	4,78	2,76	7,87	4,54	2,63	7,58	4,38	2,53	2880	83,2	0,84	2,8	3,1	7,38	1,4	7,6	72	0,002306
T2A 100L1-2	3	11,1	6,41	3,70	10,55	6,09	3,51	10,17	5,87	3,39	2890	84,6	0,84	3,1	3,5	10,05	2,6	8,8	76	0,004131
T2A 112M1-2	4	13,8	7,96	4,60	13,09	7,56	4,36	12,6	7,29	4,21	2910	85,8	0,89	3,3	3,6	13,13	2	9,6	77	0,006311
T2A 132S1-2	5,5	18,7	10,8	6,23	17,75	10,25	5,92	17,1	9,9	5,70	2910	87	0,89	2,4	3,4	18,08	1,9	8,3	80	0,013319
T2A 132S2-2	7,5	25,2	14,5	8,39	23,9	13,8	7,97	23,0	13,3	7,68	2920	88,1	0,89	3,1	3,7	24,61	2	10,3	80	0,016473
T2A 160M1-2	11	36,0	20,8	12,0	34,17	19,73	11,39	32,9	19,0	11,0	2950	89,4	0,9	2,6	3,4	35,97	1,5	8,4	86	0,050092
T2A 160M2-2	15	49,04	28,3	16,3	46,6	26,9	15,6	44,9	25,9	15,0	2960	90,3	0,89	2,6	3,4	49,09	1,8	9,4	86	0,065326
T2A 160L1-2	18,5	59,5	34,4	19,8	56,5	32,6	18,8	54,5	31,5	18,2	2950	90,9	0,9	2,6	3,2	60,46	1,8	9,4	86	0,077018
T2A 180M-2	22	71,1	41,1	23,7	68,0	39,08	22,7	65,2	37,7	21,7	2930	91,3	0,89	2,3	2,8	71,70	2	7,5	86	0,095016
T2A 200L1-2	30	97,2	56,3	32,4	93,0	53,49	31,0	89,1	51,6	29,7	2925	92	0,88	2,4	2,7	97,94	2	6,7	86	0,122246
T2A 200L2-2	37	116,7	67,5	38,9	111,6	64,15	37,2	107,0	61,8	35,6	2930	92,5	0,90	2,3	2,7	120,59	2	6,3	86	0,148816

HAJTASTECHNIKA hu

Electrical data (50Hz) Efficiency IE2 - 4 poles

Type	Power (kW)	Current (A)			Current (A)			Current (A)			rpm	Eff. (%)	Power factor (Cosφ)	Cs/ Cn	Cmax/ Cn	Cn (Nm)	Cmin/ Cn	ls/ln	dB(A)	PD <sup>2</sup> Kg <sup>m</sup> <sup>2</sup>
		220V	380V	660V	230V	400V	690V	240V	415V	720V										
T2A 802-4	0,75	3,48	2,01	1,16	3,31	1,91	1,10	3,19	1,84	1,06	1430	79,6	0,71	2,7	2,9	5,40	2,4	5,7	58	0,001928
T2A 90S-4	1,1	4,94	2,85	1,65	4,69	2,71	1,56	4,52	2,61	1,51	1430	81,4	0,72	2,9	3,1	7,30	2,2	6,8	61	0,003342
T2A 90L1-4	1,5	6,44	3,72	2,15	6,12	3,53	2,04	5,90	3,41	1,97	1430	82,8	0,74	3,1	3,2	9,95	2,2	6,5	61	0,004185
T2A 100L1-4	2,2	8,38	4,84	2,79	7,95	4,59	2,65	7,67	4,43	2,56	1440	84,3	0,82	2,4	2,9	14,59	2	6,6	64	0,007765
T2A 100L2-4	3	11,5	6,66	3,85	10,96	6,33	3,65	10,6	6,10	3,52	1440	85,5	0,8	2,3	3,2	20,32	2,4	7,6	64	0,009743
T2A 112M1-4	4	14,8	8,56	4,94	14,0	8,13	4,69	13,6	7,84	4,52	1440	86,6	0,82	2,5	3,3	26,62	2,3	7,9	65	0,013744
T2A 132S-4	5,5	19,9	11,5	6,63	18,88	10,9	6,29	18,2	10,5	6,07	1460	87,7	0,83	2,1	3,5	36,73	1,9	8,6	71	0,030593
T2A 132M-4	7,5	26,7	15,5	8,9	25,46	14,70	8,48	24,5	14,2	8,2	1460	88,7	0,83	2,3	2,7	50,08	2	7,8	71	0,035864
T2A 160M-4	11	38,8	22,4	12,9	36,9	21,3	12,3	35,6	20,5	11,9	1460	89,8	0,83	2,5	2,7	72,95	1,7	7	75	0,089674
T2A 160L1-4	15	51,9	29,9	17,3	49,3	28,4	16,4	47,5	27,4	15,8	1465	90,6	0,84	2,5	2,8	99,13	1,6	8,3	75	0,118199
T2A 180M-4	18,5	61,2	35,4	20,4	58,5	33,66	19,5	56,1	32,4	18,8	1445	91,2	0,87	2,4	3	122,26	2,1	7,8	80	0,155064
T2A 180L-4	22	70,8	41,0	23,6	67,7	38,95	22,6	64,9	37,5	21,8	1460	91,6	0,89	2,3	3	143,89	2	7,5	80	0,173293
T2A 200L-4	30	96,9	56,1	32,3	92,7	53,31	30,9	88,9	51,4	29,8	1460	92,3	0,88	2,4	2,7	196,22	2	7,9	83	0,242313

## Electrical data (50Hz) Efficiency IE2 - 6 poles

Type	Power (kW)	Current (A)			Current (A)			Current (A)			rpm	Eff. (%)	Power factor (Cosφ)	Cs/ Cn	Cmax/ Cn	Cn (Nm)	Cmin/ Cn	ls/ln	dB(A)	PD <sup>2</sup> Kgm <sup>2</sup>
		220V	380V	660V	230V	400V	690V	240V	415V	720V										
T2A 803-6	0,75	4,01	2,32	1,34	3,90	2,20	1,27	3,67	2,12	1,22	930	75,9	0,64	2,7	2,6	7,66	2,5	4,2	58	0,003079
T2A 90L-6	1,1	5,37	3,10	1,79	5,10	2,95	1,70	4,92	2,84	1,64	940	78,1	0,69	2	2,4	11,23	1,8	4,9	59	0,004884
T2A 100L-6	1,5	6,67	3,85	2,22	6,35	3,66	2,11	6,11	3,53	2,04	940	79,8	0,74	1,7	2,2	15,24	1,6	4,8	61	0,008340
T2A 112M-6	2,2	9,83	5,67	3,28	9,34	5,39	3,11	9,00	5,20	3,00	955	81,8	0,72	2,1	2,7	22,35	1,8	5,5	64	0,015440
T2A 132S-6	3	12,5	7,23	4,18	11,9	6,87	3,96	11,5	6,62	3,82	960	83,3	0,75	1,6	2,4	30,48	1,5	5,6	64	0,032131
T2A 132M1-6	4	16,8	9,71	5,61	16,0	9,22	5,33	15,4	8,89	5,13	960	84,6	0,74	2	2,6	40,42	1,6	5,9	68	0,038925
T2A 132M2-6	5,5	22,7	13,1	7,58	21,6	12,5	7,2	20,8	12,0	6,94	960	86	0,74	2,4	2,6	55,58	1,8	6,6	68	0,048966
T2A 160M-6	7,5	29,4	17,0	9,80	27,9	16,1	9,31	26,9	15,5	8,97	965	87,2	0,77	2,5	2,9	74,99	1,8	6,9	68	0,093821
T2A 160L-6	11	42,9	24,8	14,3	40,8	23,6	13,6	39,3	22,7	13,1	970	88,7	0,76	2,2	2,3	109,42	1,3	6,5	73	0,128267
T2A 180L-6	15	53,0	30,6	17,6	50,6	29,08	16,9	48,5	28,0	16,2	960	89,7	0,83	2,3	2,9	149,21	2,1	7,8	79	0,254063
T2A 200L1-6	18,5	63,4	36,6	21,1	60,4	34,75	20,1	57,9	33,5	19,3	965	90,4	0,85	2,4	3,2	183,07	2,1	7,8	82	0,303941
T2A 200L2-6	22	74,1	42,8	24,6	70,6	40,62	23,5	67,7	39,2	22,6	965	90,9	0,86	2,3	3,1	217,70	1,9	7,9	82	0,353160

# HAJTASTECHNIKA hu



**SIMOTOP**<sup>®</sup>  
GROUP

## 35. TA SERIES – Three-Phase Asynchronous single speed motors

Electrical data (50Hz) Efficiency IE3 - 2 poles

Type	Power (kW)	Current (A)			Current (A)			Current (A)			rpm	Eff. (%)	Power factor (Cosφ)	Cs/ Cn	Cmax/ Cn	Cn (Nm)	Cmin/ Cn	ls/ln	dB(A)	PD <sup>2</sup> Kg <sup>m</sup> <sup>2</sup>
		220V	380V	660V	230V	400V	690V	240V	415V	720V										
T3A 801-2	0,75	3,10	1,79	1,03	2,9	1,7	1,0	2,84	1,64	0,95	2890	80,7	0,81	3,1	3,2	2,51	2,3	7,4	67	0,000972
T3A 802-2	1,1	4,38	2,53	1,46	4,1	2,4	1,4	4,01	2,31	1,34	2890	82,7	0,82	3,4	3,4	3,69	2	8,7	67	0,001275
T3A 90S-2	1,5	5,65	3,26	1,88	5,5	3,1	1,8	5,18	2,99	1,73	2900	84,2	0,82	3,5	3,7	5,02	2,1	8,3	72	0,002186
T3A 90L1-2	2,2	8,02	4,63	2,67	7,6	4,4	2,6	7,35	4,24	2,45	2910	85,9	0,84	3,1	3,5	7,38	2,2	8,1	72	0,002636
T3A 100L1-2	3	10,4	6,00	3,46	9,8	5,7	3,3	9,52	5,49	3,17	2910	87,1	0,88	3,2	3,6	10,05	2,6	9,4	76	0,004842
T3A 112M1-2	4	13,3	7,68	4,44	12,7	7,30	4,20	12,2	7,04	4,06	2920	88,1	0,9	3,4	3,9	13,13	2,4	10,5	77	0,007505
T3A 132S1-2	5,5	18,2	10,5	6,08	17,4	10,0	5,80	16,7	9,64	5,56	2930	89,2	0,89	3,2	4	18,08	2,5	10	80	0,015212
T3A 132S2-2	7,5	24,3	14,1	8,11	23,2	13,4	7,7	22,3	12,9	7,43	2930	90,1	0,9	3,6	4,7	24,61	2,4	11,9	80	0,018996
T3A 160M1-2	11	36,3	20,9	12,1	34,4	19,9	11,5	33,2	19,2	11,1	2955	91,2	0,88	3,2	4	35,97	1,4	10,3	86	0,059613
T3A 160M2-2	15	48,3	27,9	16,1	45,8	26,5	15,3	44,2	25,5	14,7	2960	91,9	0,89	3,9	4,2	49,09	1,4	11,4	86	0,076751
T3A 160L1-2	18,5	57,8	33,4	19,3	54,9	31,7	18,3	52,9	30,6	17,6	2950	92,4	0,91	3	3	60,46	1,5	9,1	86	0,092252
T3A 180M-2	22	68,6	39,6	22,9	65,2	37,6	21,7	62,8	36,3	20,9	2960	92,7	0,91	2,7	3,3	71,70	1,7	9	91	0,104677
T3A 200L1-2	30	94,0	54,3	31,3	89,3	51,6	29,8	86,1	49,7	28,7	2960	93,3	0,9	3,5	3,8	97,94	1,8	10,2	94	0,136738
T3A 200L2-2	37	115,5	66,7	38,4	110,1	63,33	36,7	105,6	61,0	35,2	2930	93,7	0,90	2,3	2,7	120,59	2	6,3	94	0,139543

HAJTASTECHNIKA hu

Electrical data (50Hz) Efficiency IE3 - 4 poles

Type	Power (kW)	Current (A)			Current (A)			Current (A)			rpm	Eff. (%)	Power factor (Cosφ)	Cs/ Cn	Cmax/ Cn	Cn (Nm)	Cmin/ Cn	ls/ln	dB(A)	PD <sup>2</sup> Kg <sup>m</sup> <sup>2</sup>
		220V	380V	660V	230V	400V	690V	240V	415V	720V										
T3A 802-4	0,75	3,46	2,00	1,15	3,3	1,9	1,1	3,17	1,83	1,06	1430	82,5	0,7	3,1	3,1	5,04	2,5	6,3	58	0,002285
T3A 90S-4	1,1	4,74	2,74	1,58	4,6	2,6	1,5	4,34	2,51	1,45	1440	84,1	0,72	4	3,4	7,37	2,5	7,1	61	0,003842
T3A 90L1-4	1,5	6,56	3,79	2,19	6,2	3,6	2,1	6,01	3,47	2,00	1440	85,3	0,71	3,4	3,3	10,09	2,8	7,1	61	0,004685
T3A 100L1-4	2,2	8,20	4,74	2,73	7,8	4,5	2,6	7,51	4,34	2,50	1450	86,7	0,82	2,8	3,3	14,69	2,3	7,9	64	0,008754
T3A 100L2-4	3	11,7	6,74	3,89	11,0	6,4	3,70	10,7	6,17	3,56	1450	87,7	0,78	3,3	3,4	20,03	2,7	8,1	64	0,011063
T3A 112M1-4	4	14,5	8,37	4,83	13,8	8	4,6	13,3	7,66	4,42	1450	88,6	0,82	3,1	3,7	26,62	2,6	8,6	65	0,015292
T3A 132S-4	5,5	19,3	11,2	6,44	18,4	10,6	6,1	17,7	10,2	5,90	1460	89,6	0,84	2,3	3,5	36,73	1,9	9	71	0,034464
T3A 132M1-4	7,5	25,7	14,8	8,57	24,5	14,1	8,20	23,5	13,6	7,85	1460	90,4	0,85	2,6	3,4	50,08	2,2	8,9	71	0,043597
T3A 160M-4	11	37,1	21,5	12,4	35,5	20,40	11,8	34,0	19,7	11,4	1460	91,4	0,85	2,5	2,8	72,95	2,1	7,9	73	0,089674
T3A 160L1-4	15	49,8	28,7	16,6	47,3	27,3	15,8	45,6	26,3	15,2	1460	92,1	0,86	3	3	99,13	2	9,2	75	0,137038
T3A 180M-4	18,5	61,1	35,3	20,4	58,1	33,5	19,4	56,0	32,3	18,7	1470	92,6	0,86	2,8	3,3	122,26	1,9	8,8	80	0,173293
T3A 180L-4	22	72,4	41,8	24,1	68,8	39,7	22,9	66,3	38,3	22,1	1470	93	0,86	3	3,5	143,89	2,1	9,3	80	0,200637
T3A 200L-4	30	95,8	55,3	32,0	91,1	52,6	30,4	87,8	50,7	29,3	1470	93,6	0,88	3,2	3,7	196,22	2,1	9,7	83	0,265100



## Electrical data (50Hz) Efficiency IE3 - 6 poles

Type	Power (kW)	Current (A)			Current (A)			Current (A)			rpm	Eff. (%)	Power factor (Cosφ)	Cs/ Cn	Cmax/ Cn	Cn (Nm)	Cmin/ Cn	ls/ln	dB(A)	PD <sup>2</sup> Kg <sup>m</sup> <sup>2</sup>
		220V	380V	660V	230V	400V	690V	240V	415V	720V										
T3A 90S-6	0,75	3,83	2,21	1,28	3,6	2,1	1,2	3,51	2,02	1,17	945	78,9	0,67	2,3	2,6	7,66	2,1	4,7	59	0,004070
T3A 90L-6	1,1	5,29	3,05	1,76	5,1	2,9	1,7	4,84	2,80	1,61	950	81,0	0,67	2,7	2,9	11,23	2,5	5,2	59	0,005487
T3A 100L-6	1,5	6,74	3,89	2,25	6,4	3,7	2,1	6,17	3,56	2,06	950	82,5	0,71	2,4	2,9	15,24	2,2	5,5	61	0,009137
T3A 112M-6	2,2	9,7	5,58	3,22	9,10	5,30	3,0	8,85	5,11	2,95	960	84,3	0,72	2	2,5	22,35	1,8	5,5	64	0,017675
T3A 132S-6	3	12,6	7,26	4,19	11,9	6,90	4,00	11,5	6,65	3,84	965	85,6	0,74	2	2,7	30,48	1,7	6	64	0,033804
T3A 132M1-6	4	16,4	9,46	5,46	15,6	9	5,2	15,0	8,66	5,00	970	86,8	0,74	2,3	3	40,42	1,8	6,8	68	0,043946
T3A 132M2-6	5,5	22,1	12,7	7,35	20,9	12,1	7	20,2	11,7	6,73	970	88,0	0,75	2,9	3,5	55,58	2,2	7,4	68	0,053987
T3A 160M-6	7,5	29,1	16,8	9,72	27,7	16,0	9,24	26,7	15,4	8,90	970	89,1	0,76	2,2	2,9	74,99	1,8	7,3	68	0,109012
T3A 160L-6	11	41,1	23,7	13,7	39,0	22,5	13,0	37,6	21,7	12,5	975	90,3	0,78	2,7	2,9	109,42	1,2	8,4	73	0,154850
T3A 180L-6	15	52,1	30,1	17,4	49,5	28,6	16,5	47,7	27,6	15,9	960	91,2	0,83	2,3	2,9	149,21	2,1	7,8	79	0,275157
T3A 200L1-6	18,5	66,4	38,3	22,1	63,0	36,4	21,0	60,8	35,1	20,3	980	91,7	0,8	2,7	3,7	183,07	2,2	9,8	82	0,332066
T3A 200L2-6	22	78,5	45,3	26,2	74,6	43,1	24,9	71,9	41,5	24,0	980	92,2	0,8	2,9	3,7	217,70	2,3	10,5	82	0,388316

# HAJTASTECHNIKA hu



**SIMOTOP**<sup>®</sup>  
GROUP

## 35. TA SERIES – Three-Phase Asynchronous single speed motors

Electrical data (50Hz) Efficiency IE4 - 2 poles

Type	Power (kW)	Efficiency (%)			Power factor (Cosφ)	Current (A)			rpm	Cn (Nm)	Cs/Cn	Cmax/Cn	Cmin/Cn	ls/ln	dB(A)	PD <sup>2</sup> Kg/m <sup>2</sup>
		100%	75%	50%		230V	400V	690V								
T4A631-2	0,18	70,8	68,8	63,6	0,75	0,85	0,49	0,28	2870	0,6240	2,6	2,9	2	5,5	61	0,000245
T4A632-2	0,25	74,3	73,1	68,7	0,77	1,10	0,63	0,37	2880	0,8637	2,7	3,2	2,4	6,3	61	0,000303
T4A711-2	0,37	78,1	77,3	73,4	0,78	1,52	0,88	0,51	2890	1,2739	2,8	3,3	2,3	6,7	64	0,000421
T4A712-2	0,55	81,5	81,1	77,9	0,79	2,14	1,23	0,71	2890	1,8936	2,9	3,5	2,5	6,8	64	0,000569
T4A801-2	0,75	83,5	83,6	81,5	0,8	2,82	1,62	0,94	2900	2,5733	3,7	3,9	2,5	8,8	67	0,001124
T4A802-2	1,1	85,2	85,2	83,3	0,82	3,95	2,27	1,32	2910	3,7612	4	4,2	2,6	10	67	0,001508
T4A90S-2	1,5	86,5	86,5	84,6	0,81	5,37	3,09	1,79	2910	5,1289	3,6	2,8	4	9,6	72	0,002296
T4A90L-2	2,2	88	88,2	86,9	0,83	7,56	4,35	2,52	2900	7,5483	4	4,2	3	10,5	72	0,003086
T4A100L-2	3	89,1	89,4	88,4	0,9	9,39	5,4	3,13	2910	10,258	3,7	2,9	3,9	11	76	0,005939
T4A112M-2	4	90	90,4	89,7	0,91	12,3	7,05	4,09	2920	13,630	3,5	2,6	3,9	10,5	77	0,009270
T4A132S1-2	5,5	90,9	90,9	89,5	0,9	17,3	9,93	5,63	2940	18,614	3,4	2,3	4	10,5	80	0,017735
T4A132S2-2	7,5	91,7	91,7	90,7	0,91	23,1	13,3	7,52	2940	25,383	3,8	2,3	4,1	10	80	0,022880
T4A160M1-2	11	92,6	93,2	92,1	0,91	32,6	18,8	10,9	2950	37,102	3,5	2,5	3,8	10	86	0,069134
T4A160M2-2	15	93,3	93,8	92,8	0,92	43,9	25,2	14,6	2960	50,422	3,6	2,5	3,8	10	86	0,090348
T4A160L-2	18,5	93,7	94,2	93,1	0,93	53,3	30,6	17,8	2960	62,188	3,8	2,5	4	10,3	86	0,107485

Electrical data (50Hz) Efficiency IE4 - 4 poles

Type	Power (kW)	Efficiency (%)			Power factor (Cosφ)	Current (A)			rpm	Cn (Nm)	Cs/Cn	Cmax/Cn	Cmin/Cn	ls/ln	dB(A)	PD <sup>2</sup> Kg/m <sup>2</sup>
		100%	75%	50%		230V	400V	690V								
T4A631-4	0,12	69,8	68,2	66,5	0,66	0,65	0,38	0,22	1400	0,8529	2,3	2,7	2,3	4	52	0,000336
T4A632-4	0,18	74,7	74,1	69,7	0,67	0,90	0,53	0,30	1400	1,2793	2,6	2,8	2,4	4,3	52	0,000430
T4A711-4	0,25	77,9	77	72,9	0,65	1,24	0,71	0,41	1430	1,7395	3	3,4	2,8	5,6	55	0,000841
T4A712-4	0,37	81,1	80,5	77,2	0,66	1,74	1	0,58	1430	2,5745	3,4	3,6	3	6,2	55	0,001188
T4A801-4	0,55	83,9	83,3	80,6	0,67	2,46	1,41	0,82	1440	3,8003	3,4	3,7	3	6,8	57	0,002047
T4A802-4	0,75	85,7	85,3	82,8	0,67	3,28	1,97	1,09	1450	5,1466	3,7	4	3,1	7,3	58	0,002646
T4A90S-4	1,1	87,2	87,1	84,4	0,69	4,59	2,64	1,53	1435	7,6272	4,8	3,8	4,1	8,2	61	0,004685
T4A90L-4	1,5	88,2	88,1	86,1	0,71	6,01	3,46	2,00	1455	10,258	4,8	3,8	4,2	9,2	61	0,005696
T4A100L1-4	2,2	89,5	89,6	88,2	0,76	8,12	4,67	2,71	1460	14,993	3,5	3	4,3	9,5	64	0,010435
T4A100L2-4	3	90,4	89,7	88,1	0,75	11,1	6,41	3,70	1460	20,445	3,8	3,4	4,5	9,5	64	0,013074
T4A112M-4	4	91,1	91	90	0,8	14,0	8,08	4,59	1460	27,260	4	3	4,5	9,8	65	0,019436
T4A132S-4	5,5	91,9	92,2	91,5	0,8	18,8	10,9	6,26	1470	37,228	3,4	2,1	4,1	10	71	0,043597
T4A132M-4	7,5	92,6	92,8	92,2	0,81	25,1	13,9	8,37	1470	50,765	4,4	2,2	4	10,2	71	0,055210
T4A160M-4	11	93,3	93,5	92,8	0,82	36,1	20,7	12,0	1475	74,203	2,8	2,2	3,2	9,1	75	0,127619
T4A160L-4	15	93,9	94,1	93,7	0,83	48,3	27,9	16,1	1475	101,19	3,2	2,2	3,5	9,2	75	0,165297

## Electrical data (50Hz) Efficiency IE4 - 6 poles

Type	Power (kW)	Efficiency (%)			Power factor (Cosφ)	Current (A)			rpm	Cn (Nm)	Cs/Cn	Cmax/Cn	Cmin/Cn	ls/ln	dB(A)	PD <sup>2</sup> Kg/m <sup>2</sup>
		100%	75%	50%		230V	400V	690V								
T4A711-6	0,18	70,1	66,8	60,2	0,6	1,07	0,62	0,36	940	1,9053	2,7	2,3	2,9	4,1	52	0,001020
T4A712-6	0,25	74,1	71,5	65,3	0,6	1,41	0,81	0,47	940	2,6463	2,8	2,4	2,9	4,5	52	0,001250
T4A801-6	0,37	78	76,7	72,2	0,61	1,95	1,12	0,65	950	3,8753	2,7	3,1	2,5	4,8	56	0,002634
T4A802-6	0,55	80,9	80	76,3	0,61	2,80	1,61	0,93	950	5,7605	3,2	3,5	2,8	5,3	56	0,003677
T4A90S-6	0,75	82,7	81,6	77,7	0,63	3,61	2,08	1,20	960	7,7734	2,8	2,4	3,2	5,7	59	0,004683
T4A90L-6	1,1	84,5	83,5	80,5	0,65	5,03	2,89	1,68	960	11,401	3,1	2,5	3,3	5,9	59	0,006503
T4A100L-6	1,5	85,9	86,2	84,5	0,72	6,09	3,5	2,03	965	15,466	2,7	1,9	3	6,5	61	0,012757
T4A112M-6	2,2	87,4	87,2	85,4	0,69	9,16	4,98	3,05	970	22,567	3	2,6	3,8	7,5	64	0,022890
T4A132S-6	3	88,6	88,7	87,4	0,71	12,0	6,88	3,99	975	30,615	2,5	1,9	3,2	7,1	64	0,043846
T4A132M1-6	4	89,5	89,8	88,8	0,74	15,2	8,72	5,05	975	40,821	2,8	1,8	3,4	8	68	0,053987
T4A132M2-6	5,5	90,5	90,7	89,7	0,75	20,3	11,7	6,78	975	56,128	3,3	1,8	3,3	8,2	68	0,070723
T4A160M-6	7,5	91,3	91,5	90,3	0,77	26,7	15,4	8,89	980	76,148	3,3	1,8	3,3	8,5	68	0,128267
T4A160L-6	11	92,3	92,6	91,2	0,77	38,9	22,3	12,9	980	111,68	3,4	1,8	3,4	8,5	73	0,185230
T4A160M2-2	15	93,3	93,8	92,8	0,92	43,9	25,2	14,6	2960	50,422	3,6	2,5	3,8	10	86	0,090348
T4A160L-2	18,5	93,7	94,2	93,1	0,93	53,3	30,6	17,8	2960	62,188	3,8	2,5	4	10,3	86	0,107485

HAJTASTECHNIKA.ru

## 36. TA SERIES - Weight TA IE1

Frame size	Kw	Weight Kg (*) B3
802-2	1,10	9,8
90S-2	1,50	12,1
90L1-2	2,20	15,3
100L1-2	3,00	19,7
112M-2	4,00	25,6
132S1-2	5,50	40,5
132S2-2	7,50	42,0
160M1-2	11,00	68,8
160M2-2	15,00	80,4
160L-2	18,50	92,2
180M-2	22,00	125,4
200L1-2	30,00	148,0
200L2-2	37,00	165,0

Frame size	Kw	Weight Kg (*) B3
802-4	0,75	9,6
90S-4	1,10	12,1
90L1-4	1,50	17,2
100L1-4	2,20	19,4
100L2-4	3,00	22,6
112M-4	4,00	29,2
132S-4	5,50	42,5
132M-4	7,50	49,0
160M-4	11,00	76,8
160L1-4	15,00	89,2
180M-4	18,5	116,4
180L-4	22	127,4
200L-4	30	149,9

(\*) Weights are indicative may vary by changing the materials used, Simotop Group Spa reserves the right to modify this data at any time and without notice.



# POWER

Frame size	Kw	Weight Kg (*) B3
802-6	0,55	9,1
90S-6	0,75	11,6
90L-6	1,10	14,2
100L-6	1,50	18,3
112M-6	2,20	24,8
132S-6	3,00	35,7
132M1-6	4,00	41,4
132M2-6	5,50	50,4
160M-6	7,50	70,0
160L-6	11,00	87,6
180L-6	15	121,5
200L1-6	18,5	138,2
200L2-6	22	154,6

Frame size	Kw	Weight Kg (*) B3
802-8	0,25	9,8
803-8	0,37	12,1
90S-8	0,37	11,4
90L-8	0,55	14,3
100L1-8	0,75	16,9
100L2-8	1,10	20,0
112M-8	1,50	24,9
132S-8	2,20	36,6
132M-8	3,00	47,4
160M1-8	4,00	59,8
160M2-8	5,50	69,0
160L-8	7,5	84,8
180L-8	11	128,0
200L-8	15	157,0

(\*) Weights are indicative may vary by changing the materials used, Simotop Group Spa reserves the right to modify this data at any time and without notice.

HAJTASTECHNIKA.hu

## 36. TA SERIES - Weight TA IE2

Frame size	Kw	Weight Kg (*) B3
801-2	0,75	8,2
802-2	1,10	9,5
90S-2	1,50	12,2
90L-2	2,20	15,9
100L-2	3,00	21,3
112M-2	4,00	26,2
132S1-2	5,50	38,9
132S2-2	7,50	44,4
160M1-2	11,00	77,4
160M2-2	15,00	89,2
160L-2	18,50	99,0
180M-2	22,00	126,0
200L1-2	30,00	152,9
200L2-2	37,00	167,7

Frame size	Kw	Weight Kg (*) B3
802-4	0,75	10,2
90S-4	1,10	13,6
90L-4	1,50	16,1
100L1-4	2,20	21,8
100L2-4	3,00	25,4
112M-4	4,00	29,6
132S-4	5,50	44,5
132M-4	7,50	51,1
160M-4	11,00	78,4
160L-4	15,00	101,1
180M-4	18,5	116,6
180L-4	22	124,5
200L-4	30	164,6

(\*) Weights are indicative may vary by changing the materials used, Simotop Group Spa reserves the right to modify this data at any time and without notice.

# POWER

Frame size	Kw	Weight Kg (*) B3
90S-6	0,75	12,3
90L-6	1,10	15,5
100L-6	1,50	18,5
112M-6	2,20	25,9
132S-6	3,00	36,3
132M1-6	4,00	42,9
132M2-6	5,50	50,8
160M-6	7,50	72,5
160L-6	11,00	89,1
180L-6	15	120,7
200L1-6	18,5	141,0
200L2-6	22	156,8

(\*) Weights are indicative may vary by changing the materials used,  
Simotop Group Spa reserves the right to modify this data at any time and without notice.

# HAJTASTECHNIKA hu

# SIMOTOP<sup>®</sup> GROUP

## 36. TA SERIES - Weight TA IE3

Frame size	Kw	Weight Kg (*) B3
801-2	0,75	8,6
802-2	1,1	10,3
90S-2	1,5	13,7
90L-2	2,2	17,6
100L-2	3	23,4
112M-2	4	28,5
132S1-2	5,5	40,6
132S2-2	7,5	48,1
160M1-2	11	80,8
160M2-2	15	91,7
160L-2	18,5	102,6
180M-2	22	128,0
200L1-2	30	154,8
200L2-2	37	169,6

Frame size	Kw	Weight Kg (*) B3
802-4	0,75	11,4
90S-4	1,1	14,2
90L-4	1,5	17,0
100L1-4	2,2	26,7
100L2-4	3	27,7
112M-4	4	31,7
132S-4	5,5	46,2
132M-4	7,5	53,0
160M-4	11	79,2
160L-4	15	103,0
180M-4	18,5	118,6
180L-4	22	126,4
200L-4	30	166,6

(\*) Weights are indicative may vary by changing the materials used, Simotop Group Spa reserves the right to modify this data at any time and without notice.



# POWER

Frame size	Kw	Weight Kg (*) B3
90S-6	0,75	13,2
90L-6	1,1	16,4
100L-6	1,5	19,3
112M-6	2,2	26,4
132S-6	3	37,0
132M1-6	4	43,8
132M2-6	5,5	51,7
160M-6	7,5	73,3
160L-6	11	91,4
180L-6	15	122,7
200L1-6	18,5	143,0
200L2-6	22	158,3

(\*) Weights are indicative may vary by changing the materials used,  
Simotop Group Spa reserves the right to modify this data at any time and without notice.

# HAJTASTECHNIKA hu



**SIMOTOP**<sup>®</sup>  
GROUP

## 36. TA SERIES - Weight TA IE4

Type	Kw	Weight Kg (*) B3
631-2	0,18	3,8
632-2	0,25	4,5
711-2	0,37	5,7
712-2	0,55	6,7
801-2	0,75	9,0
802-2	1,1	10,6
90S-2	1,5	14,0
90L-2	2,2	18,0
100L-2	3	24,1
112M-2	4	29,2
132S1-2	5,5	41,3
132S2-2	7,5	49,2
160M1-2	11	89,3
160M2-2	15	93,1
160L-2	18,5	105,7

Type	Kw	Weight Kg (*) B3
631-4	0,12	4,00
632-4	0,18	4,80
711-4	0,25	6,50
712-4	0,37	8,00
801-4	0,55	11,00
802-4	0,75	11,80
90S-4	1,1	14,80
90L-4	1,5	17,50
100L1-4	2,2	27,00
100L2-4	3	30,10
112M-4	4	32,30
132S-4	5,5	47,10
132M-4	7,5	54,10
160M-4	11	81,00
160L-4	15	108,30

(\*) Weights are indicative may vary by changing the materials used,  
Simotop Group Spa reserves the right to modify this data at any time and without notice.

Type	Kw	Weight Kg (*) B3
711-6	0,18	6,3
712-6	0,25	7,4
801-6	0,37	11
802-6	0,55	14
90S-6	0,75	13,6
90L-6	1,1	16,9
100L-6	1,5	20,1
112M-6	2,2	27,1
132S-6	3	38,6
132M1-6	4	45,1
132M2-6	5,5	52,8
160M-6	7,5	75,2
160L-6	11	93,8

# HAJTASTECHNIKA hu

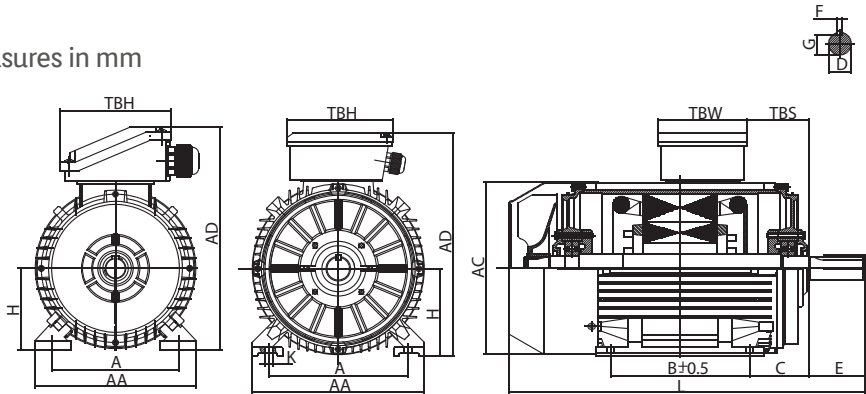
(\*) Weights are indicative may vary by changing the materials used,  
Simotop Group Spa reserves the right to modify this data at any time and without notice.



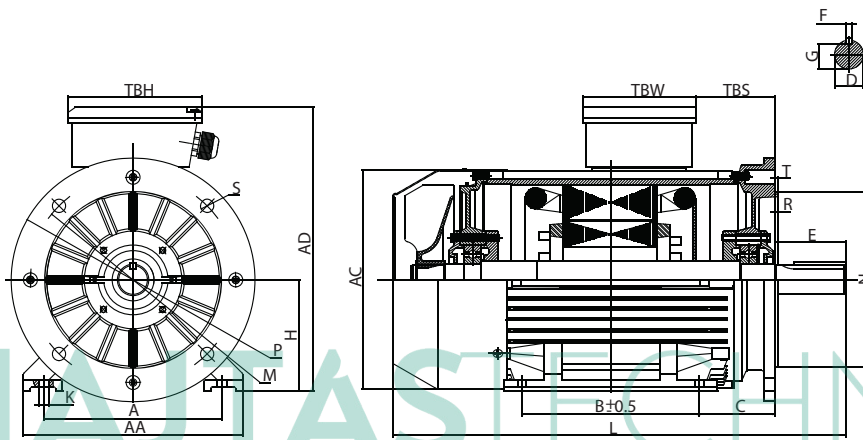
**SIMOTOP**<sup>®</sup>  
GROUP

## 37. TA SERIES - Overall and Installation dimensions

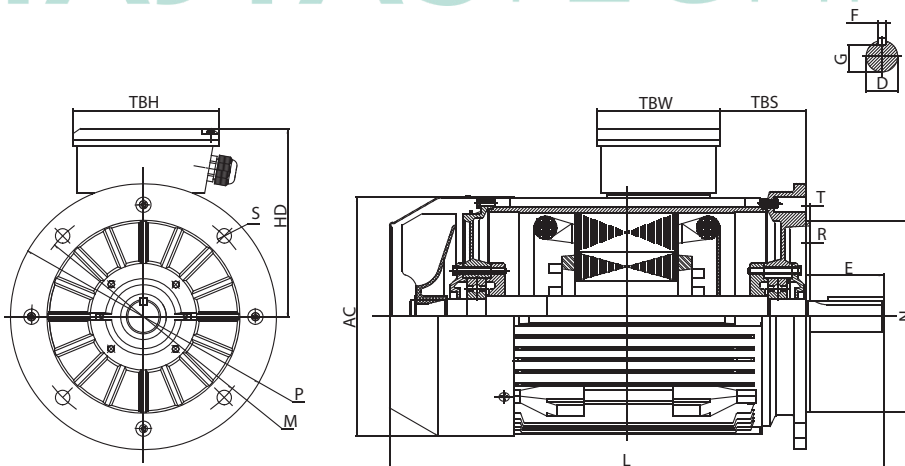
Measures in mm



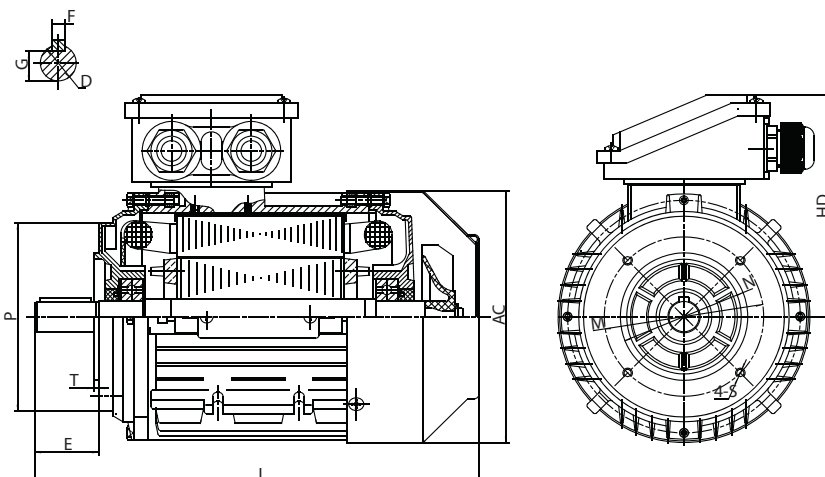
IM B3



IM B3/B5



IM B5



IM B14



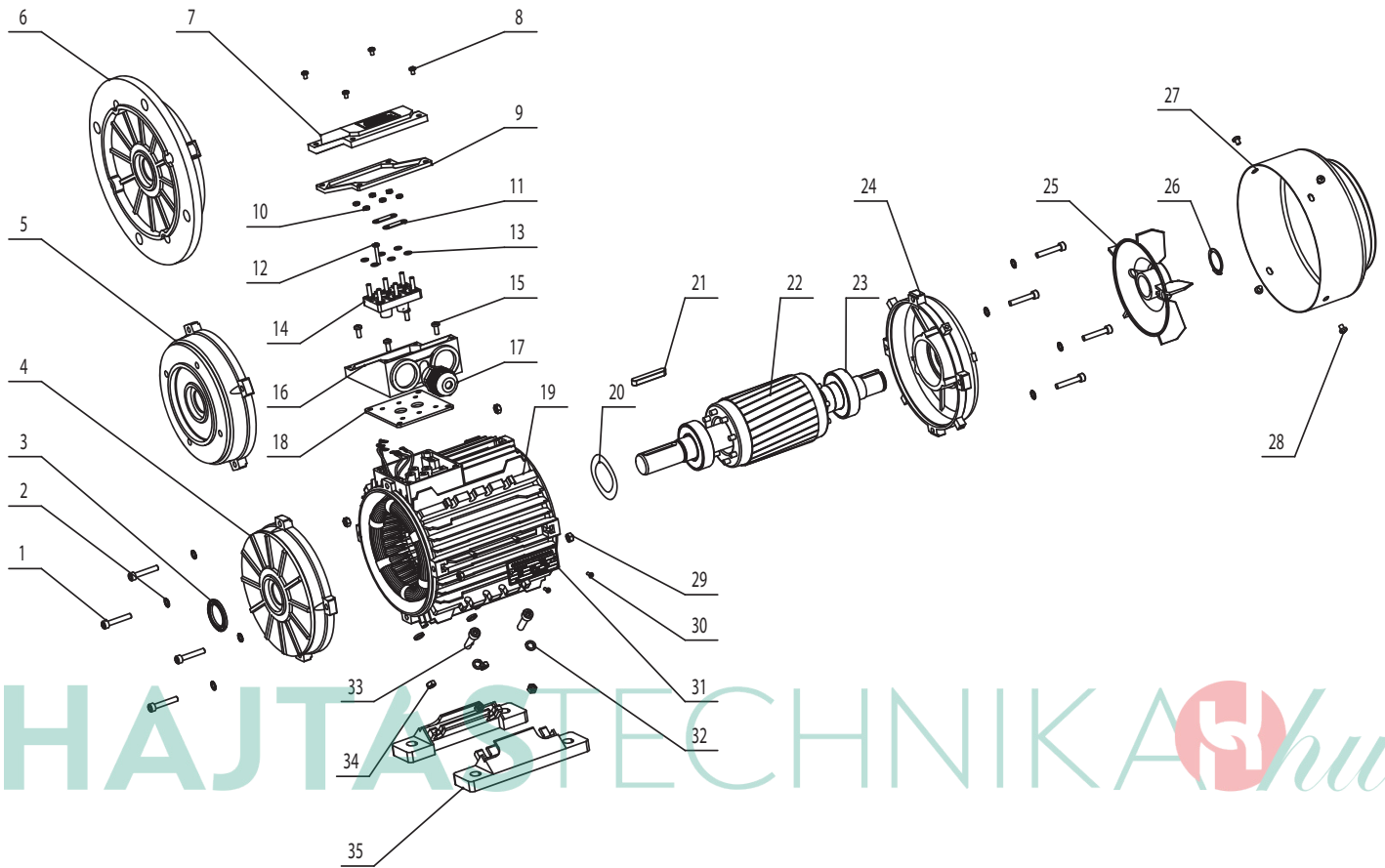
Frame size	B3				Shaft					General							
	H	A	B	C	D	E	F	G	K	AA	AD	HD	AC	L	TBS	TBW	TBH
80	80	125	100	50	Ø19	40	6	15.5	Ø9	160	220	140	158	280	16	97	97
90S/L	90	140	100/125	56	Ø24	50	8	20	Ø10	175	240	150	176	312/337	16	97	97
100	100	160	140	63	Ø28	60	8	24	Ø12	200	265	165	199	380	20	118	118
112	112	190	140	70	Ø28	60	8	24	Ø12	230	291	179	220	405	29	118	118
132S/M	132	216	140/178	89	Ø38	80	10	33	Ø12	255	332	200	259	467/505	29	118	118
160M/L	160	254	210/254	108	Ø42	110	12	37	Ø15	314	402	242	313	605/650	91	162	187
180M/L	180	279	241/279	121	Ø48	110	14	42.5	Ø15	348	439	259	360	687/725	160/180	162	187
200L	200	318	305	133	Ø55	110	16	49	Ø19	388	497	297	399	768	192	186	233

Frame size	B5						B14					
	N	M	P	S	T	R	N	M	P	S	T	R

80	130	165	200	4-Ø12	3.5	0	80	100	120	M6	3	0
90S/L	130	165	200	4-Ø12	3.5	0	95	115	140	M8	3	0
100	180	215	250	4-Ø15	4	0	110	130	160	M8	3.5	0
112	180	215	250	4-Ø15	4	0	110	130	160	M8	3.5	0
132S/M	230	265	300	4-Ø15	4	0	130	165	200	M10	3.5	0
160M/L	250	300	350	4-Ø19	5	0						0
180M/L	250	300	350	4-Ø19	5	0						0
200L	300	350	400	4-Ø19	5	0						0



## 38. TA SERIES - Exploded view drawings and Spare Parts list



- |                               |                                |                             |
|-------------------------------|--------------------------------|-----------------------------|
| 1. Screw                      | 13. Terminal shim              | 25. Cooling fan             |
| 2. Gasket                     | 14. Terminal board             | 26. Fan circlip             |
| 3. Oil seal                   | 15. Terminal box fixing screws | 27. Fan cover               |
| 4. DE endshleld               | 16. Terminal box case          | 28. Fan cover fixing shim   |
| 5. B14 Flange                 | 17. Cable gland                | 29. Fan cover fixing screws |
| 6. B5 Flange                  | 18. Terminal box bottomgaskel  | 30. Endshiels fixing nut    |
| 7. Terminal box case          | 19. Frame                      | 31. Rivet                   |
| 8. Terminal box fixing screws | 20. Preload washer             | 32. Nameplate               |
| 9. Terminal box upper gasket  | 21. Key                        | 33. Foot fixing nut         |
| 10. Terminal box fixing nut   | 22. Rotor                      | 34. Foot fixing screws      |
| 11. Terminal bridge           | 23. Bearing                    | 35. Foot                    |
| 12. Terminal pin              | 24. NDE endshield              |                             |