



**CRAFT
BEARINGS**

Quality Minded



GENERAL CATALOG

www.craft-bearings.com

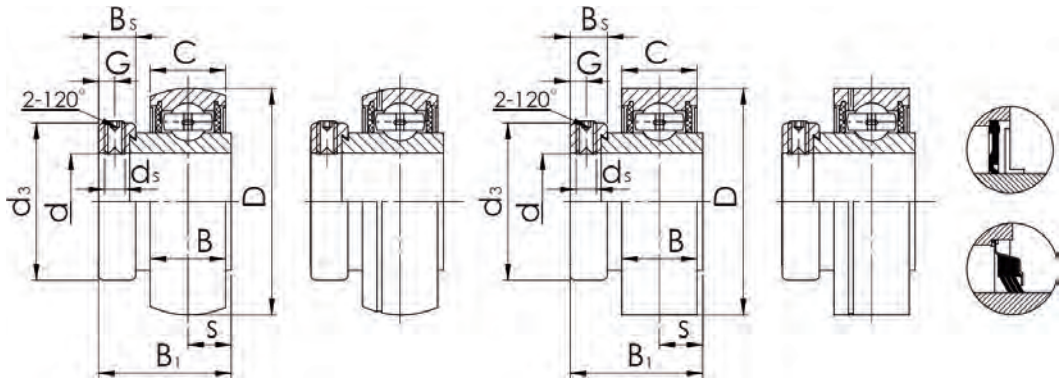




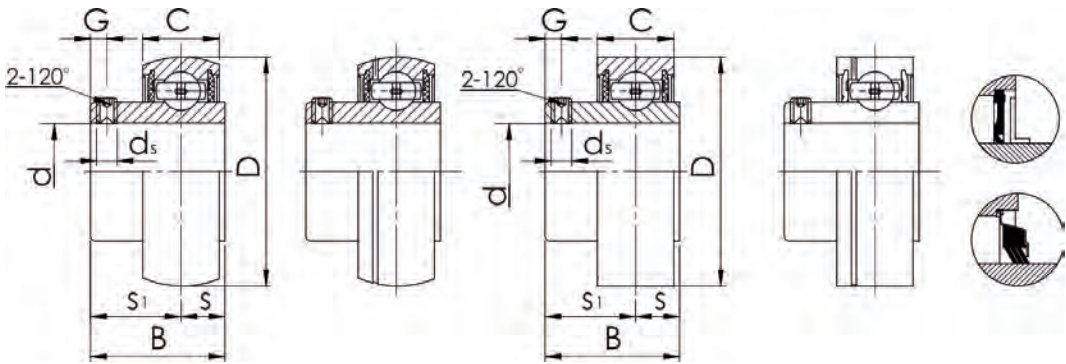
Subject	Symbol	Description
Series	SA	With eccentric locking collar
	SB	Inner ring extends on one side
	UK	Tapered bore
	UC	Inner ring extends on both sides

Features

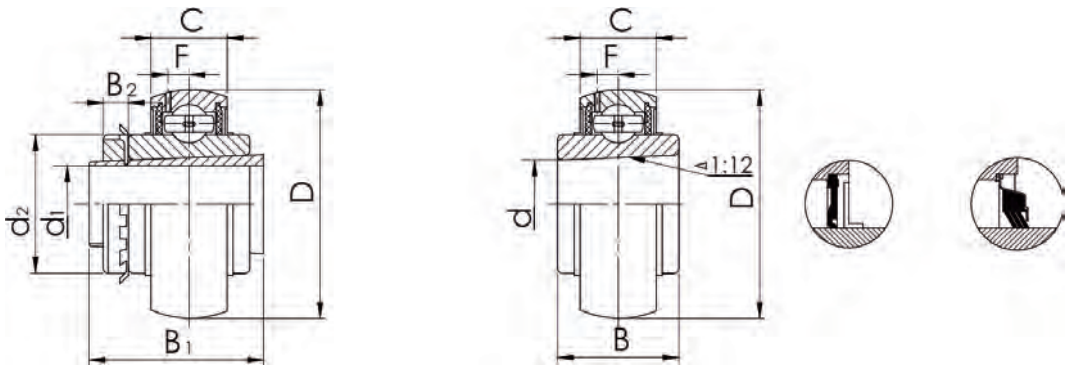
Insert bearings are used for mounting on shafts without the need for shoulders or adapters. The bearing is locked in place through setscrews or a locking collar. SB and UC designs are intended to provide extra shaft support. Sometimes insert bearings are simply standard radial bearings that fit into a housing and these bearings may be purchased as stand-alone products to use as replacements. While standard radial ball bearings must be pressed into a machined shaft, using special installation tools, insert bearings can be slip fit directly onto the shaft.



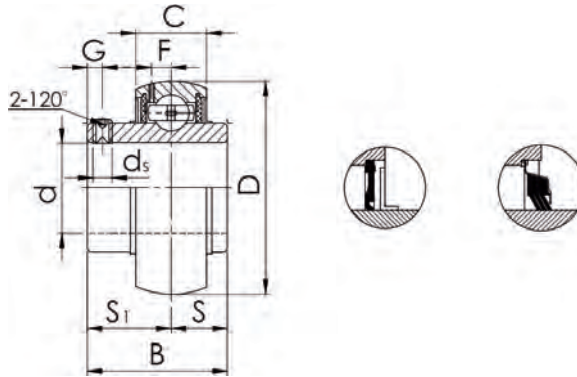
ISO	Dimensions (mm)										Basic Load Rating (N)		Weight (kg)
	d	D	B ₁	B	C	S	d _s	G	B _s	d ₃	Dyn. C	Stat. C ₀	
SA201	12	40	28.6	19.1	12	6.5	M6x1	4.8	13.5	28.6	7360	4480	0.120
SA202	15	40	28.6	19.1	12	6.5	M6x1	4.8	13.5	28.6	7360	4480	0.100
SA203	17	40	28.6	19.1	12	6.5	M6x1	4.8	13.5	28.6	7360	4480	0.090
SA204	20	47	31	21.5	14	7.5	M6x1	4.8	13.5	33.3	9880	6200	0.160
SA205	25	52	31	21.5	15	7.5	M6x1	4.8	13.5	38.1	10780	6980	0.200
SA206	30	62	35.7	23.8	16	9	M8x1	6	15.9	44.5	14970	10040	0.300
SA207	35	72	38.9	25.4	17	9.5	M8x1	6.8	17.5	55.6	19750	13670	0.420
SA208	40	80	43.7	30.2	18	11	M8x1	6.8	18.3	60.3	22710	15940	0.600
SA209	45	85	43.7	30.2	19	11	M8x1	6.8	18.3	63.5	24360	17710	0.760
SA210	50	90	43.7	30.2	20	11	M8x1	6.8	18.3	69.9	26980	19840	0.910
SA211	55	100	48.4	32.5	21	12	M10x1	8	20.7	76.2	33370	25110	1.260
SA212	60	110	53.1	37.2	22	13.5	M10x1	8	22.3	84.2	36740	27970	1.700



ISO	Dimensions (mm)									Basic Load Rating (N)		Weight (kg)
	d	D	B	C	S	S1	ds	G	Dyn. C	Stat. C ₀		
SB201	12	40	22	12	6	16	M5x0,8	4.5	7360	4480	0.100	
SB202	15	40	22	12	6	16	M5x0,8	4.5	7360	4480	0.100	
SB203	17	40	22	12	6	16	M5x0,8	4.5	7360	4480	0.090	
SB204	20	47	25	14	7	18	M6x1	4.5	9880	6200	0.130	
SB205	25	52	27	15	7.5	19.5	M6x1	5.5	10780	6980	0.160	
SB206	30	62	30	16	8	22	M6x1	6	14970	10040	0.250	
SB207	35	72	32	17	8.5	23.5	M8x1	6.5	19750	13670	0.380	
SB208	40	80	34	18	9	25	M8x1	7	22710	15940	0.600	
SB209	45	85	41.2	19	10.2	31	M8x1	8.2	24360	17710	0.800	
SB210	50	90	43.5	20	10.9	32.6	M10x1	9.2	26980	19840	0.800	
SB211	55	100	45.3	21	11.8	33.5	M10x1	9.8	33370	25110	1.100	
SB212	60	110	53.7	22	14.9	38.8	M10x1	9.8	36740	27970	1.300	



ISO	SLEEVE NO.	Dimensions (mm)										Basic Load Rating (N)		Weight (kg)
		d	D	B	C	d1	B1	B2	d2	F	Dyn. C	Stat. C ₀		
UK205	H2305	25	52	23	17	20	35	8	38	3.9	10780	6980	0.250	
UK206	H2306	30	62	26	19	25	38	8	45	5.0	14970	10040	0.360	
UK207	H2307	35	72	29	20	30	43	9	52	5.7	19750	13670	0.570	
UK208	H2308	40	80	31	21	35	46	10	58	6.2	22710	15940	0.740	
UK209	H2309	45	85	31	22	40	50	11	65	6.4	24360	17710	0.830	
UK210	H2310	50	90	32	24	45	55	12	70	6.5	26980	19840	0.970	
UK211	H2311	55	100	35	25	50	59	12	75	7.0	33370	25110	1.260	
UK212	H2312	60	110	38	27	55	62	13	80	7.6	36740	27970	1.590	
UK213	H2313	65	120	40	28	60	65	14	85	8.5	44010	34180	1.760	
UK215	H2315	75	130	44	30	65	73	15	98	9.2	50850	41260	2.320	
UK217	H2317	85	150	46	34	75	82	18	110	10.2	64010	53280	3.880	
UK218	H2318	90	160	47	36	80	86	18	120	11.2	73830	60760	4.740	



ISO	Dimensions (mm)										Basic Load Rating (N)		Weight (kg)
	d	D	B	C	S	S1	G	ds	F	Dyn. C	Stat. C ₀		
UC201	12	47	31	17	12.7	18.3	4.8	M6x1	3.7	9880	6200	0.200	
UC202	15	47	31	17	12.7	18.3	4.8	M6x1	3.7	9880	6200	0.190	
UC203	17	47	31	17	12.7	18.3	4.8	M6x1	3.7	9880	6200	0.180	
UC204	20	47	31	17	12.7	18.3	4.8	M6x1	3.7	9880	6200	0.160	
UC205	25	52	34.1	17	14.3	19.8	5	M6x1	3.9	10780	6980	0.200	
UC206	30	62	38.1	19	15.9	22.2	5	M6x1	5.0	14970	10040	0.320	
UC207	35	72	42.9	20	17.5	25.4	7	M8x1	5.7	19750	13670	0.480	
UC208	40	80	49.2	21	19	30.2	8	M8x1	6.2	22710	15940	0.640	
UC209	45	85	49.2	22	19	30.2	8	M8x1	6.4	24360	17710	0.680	
UC210	50	90	51.6	24	19	32.6	10	M10x1	6.5	26980	19840	0.800	
UC211	55	100	55.6	25	22.2	33.4	10	M10x1	7.0	33370	25110	1.110	
UC212	60	110	65.1	27	25.4	39.7	10	M10x1	7.6	36740	27970	1.540	
UC213	65	120	65.1	28	25.4	39.7	10	M10x1	8.5	44010	34180	1.850	
UC214	70	125	74.6	29	30.2	44.4	12	M12x1,5	8.9	46790	37590	2.050	
UC215	75	130	77.8	30	33.3	44.5	12	M12x1,5	9.2	50850	41260	2.210	
UC216	80	140	82.6	32	33.3	49.3	12	M12x1,5	9.5	55040	45090	2.800	
UC217	85	150	85.7	34	34.1	51.6	12	M12x1,5	10.2	64010	53280	3.460	
UC218	90	160	96	36	39.7	56.3	12	M12x1,5	11.2	73830	60760	4.360	
UC305	25	62	38	20	15	23	6	M6x1	5.4	17220	11930	0.350	
UC306	30	72	43	23	17	26	6	M6x1	5.7	20770	14170	0.560	
UC307	35	80	48	25	19	29	8	M8x1	6.2	25660	17920	0.710	
UC308	40	90	52	27	19	33	10	M10x1	7.0	31350	22380	0.960	
UC309	45	100	57	30	22	35	10	M10x1	7.8	40660	30000	1.280	
UC310	50	110	61	32	22	39	12	M12x1,5	8.5	47580	35710	1.650	
UC311	55	120	66	34	25	41	12	M12x1,5	9.2	55050	41910	2.070	
UC312	60	130	71	36	26	45	12	M12x1,5	9.8	62880	48600	2.600	
UC313	65	140	75	38	30	45	12	M12x1,5	10.5	72210	56680	3.250	
UC314	70	150	78	40	33	45	12	M12x1,5	11.1	80100	63480	3.980	
UC315	75	160	82	42	32	50	14	M14x1,5	11.8	87250	71670	4.720	
UC316	80	170	86	44	34	52	14	M14x1,5	12.5	94570	80350	5.550	
UC317	85	180	96	46	40	56	16	M16x1,5	15.0	104100	91300	6.700	
UC318	90	190	96	48	40	56	16	M16x1,5	15.9	113000	103000	7.600	
UC319	95	200	103	50	41	62	16	M16x1,5	16.7	123000	116000	8.750	
UC320	100	215	108	54	42	66	18	M18x1,5	18.0	143000	128000	10.28	
UC321	105	225	112	56	44	68	18	M18x1,5	19.0	187000	163000	12.30	
UC322	110	240	117	60	46	71	18	M18x1,5	21.0	209000	183000	14.50	
UC324	120	260	126	64	51	75	18	M18x1,5	22.0	211000	184000	18.70	
UC326	130	280	135	68	54	81	20	M20x1,5	23.0	234000	204000	23.30	
UC328	140	300	145	73	59	86	20	M20x1,5	25.0	260000	227000	28.90	