




PIX

Power Transmission Solutions

Driving growth!

Technical Manual PIX-PowerWare® Pulleys & Bushes



 pixtrans  pixtransmission  pix-group  pixtrans

www.pixtrans.com



Index

Particulars	Page No.
Dual-Duty Taper Pulleys & Bush	1
About Pulleys	1
Pulley codification	1
Features & benefits	2
Advantages of Taper Bush	2
Pulley schematic representation	2-3
Minimum recommended Pulley diameters	3
Standard V-Belt Pulley groove details	4
Product range	
V-Belt Pulleys	
'SPZ / XPZ & Z / ZX' section Pulleys	5-7
'SPA / XPA & A / AX' section Pulleys	8-12
'SPB / XPB & B / BX' section Pulleys	13-17
'SPC / XPC & C / CX' section Pulleys	18-21
V-belt Pulleys with SIP* Bore	21
'3V/3VX' section Pulleys	22-24
'5V/5VX' section Pulleys	25-28
'8V/8VX' section Pulleys	29-31
Poly-V Pulleys	
Standard Poly-V Pulley groove dimensions	32
'PJ' section: 8 groove Pulleys	33
'PJ' section: 12 groove Pulleys	34
'PJ' section: 16 groove Pulleys	35
'PJ' section: 16 groove Pulleys	36
'PL' section: 8 groove Pulleys	37
'PL' section: 12 groove Pulleys	38
'PL' section: 16 groove Pulleys	39
'PL' section: 20 groove Pulleys	40
'PM' section: 8 groove Pulleys	41
'PM' section: 12 groove Pulleys	42
'PM' section: 16 groove Pulleys	43
'PM' section: 20 groove Pulleys	44
Timing Pulleys	
Timing 'L' section Pulleys	45-47
Timing 'H' section Pulleys	48-51
Timing '5M' section Pulleys	52
Timing '8M' section Pulleys	53-56
Timing '14M' section Pulleys	57-59

Index

Particulars	Page No.
Taper Bush dimensions	60-61
Metric bores, keyway, keys & screws	62-63
Pulley Balancing	64-65
Pulley Alignment Inspection	65-66
Bush, key-size details	66
Installation procedure for Taper Pulleys	67
Types of Pulleys	68
Service Equipment	68



PIX-PowerWare® (Dual-duty Taper Pulleys & Bush)

PIX has always been the innovators and pioneers in the mechanical power transmission and the related products. Innovations, up-gradation and providing value added products has always been the passion with PIX.

To fulfill its commitment of providing a complete “Power Transmission Solution” to its users, the company has also added PIX-PowerWare® Pulleys and Bushes to its range of V-Belts.

The introduction of PowerWare® products in the range would facilitate the users to achieve optimum power transmission from drives consisting of PIX-PowerWare® Pulley with the matched PIX V-Belt. It will also help users in getting a complete power transmission solution comprising of Pulleys, Bushes and Belts from the same manufacturer, thus eliminating the chance of mismatch.

PIX-PowerWare® Pulleys and Bushes are made as per international standards and follow a strict manufacturing procedure in accordance with the ISO standards.

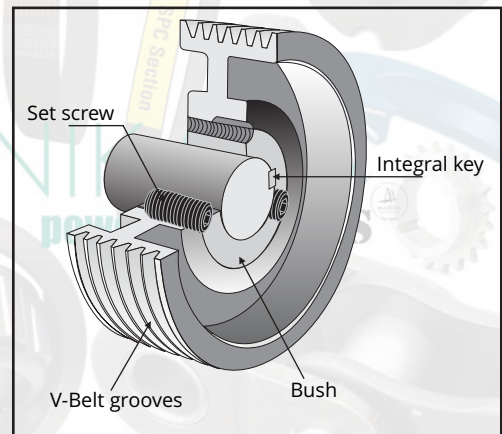
This technical catalogue features a technical know-how and the product range for Pulleys and Bushes.

About Pulleys

A Pulley is also called a sheave or drum and may have a groove between the two flanges around its circumference. The drive element of a Pulley system can be a rope, cable, Belt, or chain; that runs over the Pulley inside the groove.

A Belt and Pulley system is characterised by two or more Pulleys in common to a Belt. This allows for mechanical power, torque, and speed to be transmitted across the axles. If the Pulleys are of differing diameters, a mechanical advantage is realised.

A Belt drive is analogous to that of a chain drive, however a Belt sheave may be smooth (devoid of discrete interlocking members as would be found on a chain sprocket, spur gear, or timing Belt) so that the mechanical advantage is approximately given by the ratio of the pitch diameter of the sheaves only, not fixed exactly by the ratio of teeth as with gears and sprockets.



Pulley codification

V-Pulleys

TYP	SEC	PPPP	GG	BBBB
①	②	③	④	⑤
① Pulley type (TLP* or SIP*)	② SEC: Pulley section	③ PPPP: Pitch circle diameter (mm)	④ GG: Number of grooves	⑤ BBBB: Bush number
Example: TLP SPB 170-02 2012				

TLP*: Taper Lock Pulley
SIP*: Standard Imperial Pulley

Poly-V Pulleys

TYP	SEC	PPPP	GG	BBBB
①	②	③	④	⑤
① TYP: Pulley type (TPP*)	② SEC: Pulley section	③ PPPP: Pitch circle diameter (mm)	④ GG: Number of grooves	⑤ BBBB: Bush number
Example: TPP PL 90-06 1610				

TPP*: Taper Poly Pulley

Timing Pulleys

TYP	NNN	SEC	WWW	BBBB
①	②	③	④	⑤
① Pulley type (TTP*)	② NNN: Number of teeth	③ SEC: Pulley section	④ WWW: Pulley top width (mm)	⑤ BBBB: Bush number
Example: TTP 56 8M 50 2517				

TTP*: Taper Timing Pulley

PIX-PowerWare® Pulleys

Features & benefits

- Manufactured from gray cast iron
- Pulley & Pulley groove specification conforms to IS 3142 & ISO 4183 standards
- Precise surface finish ensures proper grip & wedging, eliminating Belt slippage
- Saves time in installation and removal of Pulleys
- Statically balanced in general, dynamic balancing of larger Pulleys is done on request
- Facilitates easy selection of different bore and key-way requirements
- Wide product range in V-Groove Pulleys, Poly-V and Timing Pulleys

Advantages of Taper Bush

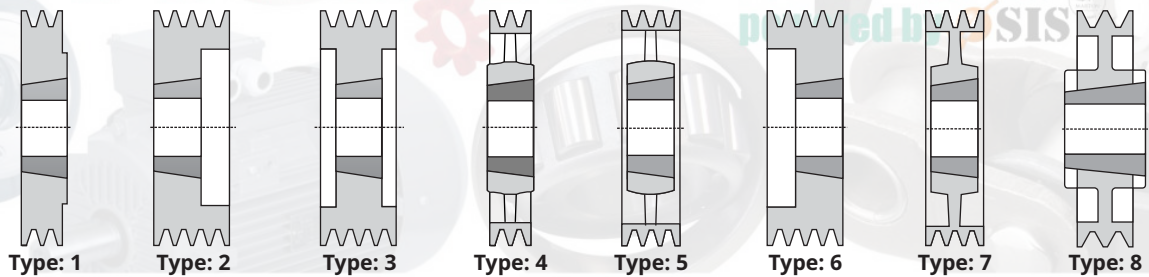
- Ease of installation and removal
- Reduces time and cost in fitting
- Bushes are machined with standard key-ways
- No need of re-boring, full range of both metric and imperial sizes are available

Note: Customised sizes and special Bush type Pulleys are also available on request.

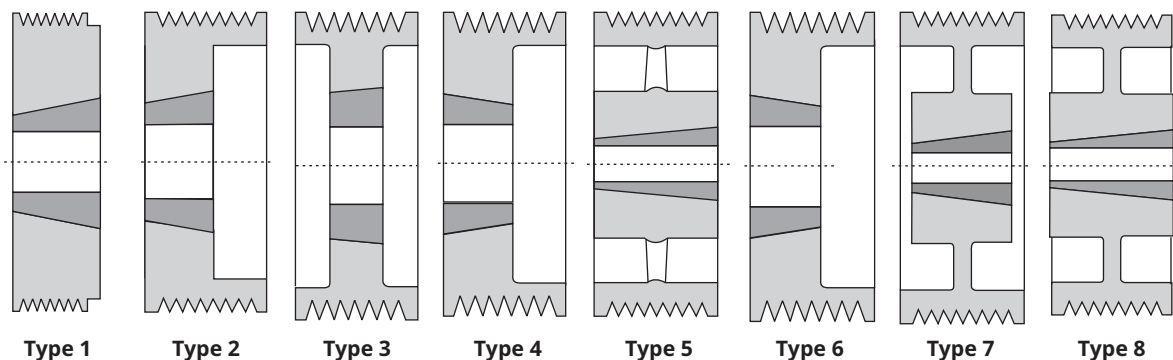


Pulley schematic representation

V-Pulleys

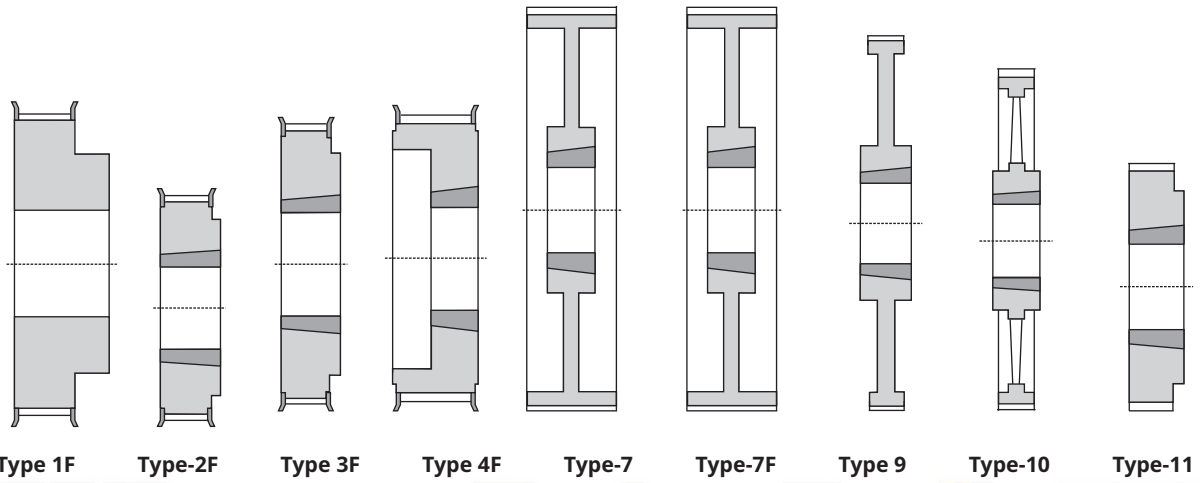


Poly-V Pulleys



Pulley schematic representation

Timing Pulleys



Recommended minimum Pulley diameter

V-Belt Pulleys

Section	Minimum Pulley diameter (mm)
Z	50.0
A	71.0
B	112.0
C	180.0
SPZ	63.0
SPA	90.0
SPB	140.0
SPC	224.0
3V	63.0
5V	140.0
8V	335.0

V-Belt Pulleys

Section	Minimum Pulley diameter (mm)
ZX	40.0
AX	63.0
BX	90.0
CX	140.0
XPZ	56.0
XPA	71.0
XPB	112.0
XPC	180.0
3VX	56.0
5VX	112.0
8VX	254.0

Poly-V Pulleys

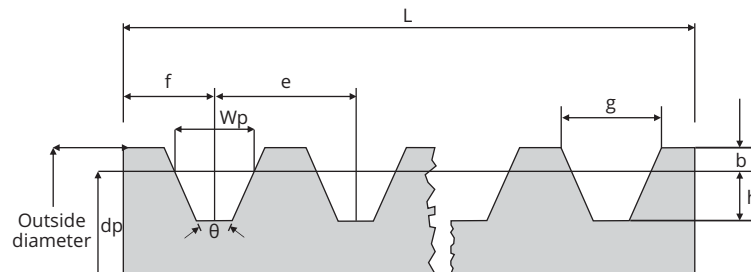
Section	Minimum Pulley diameter (mm)
PH	13.0
PJ	20.0
PK	45.0
PL	75.0
PM	180.0

Timing Pulleys

Section	Minimum number of grooves
XL	10
L	12
H	16
5M	14
8M	22
14M	28

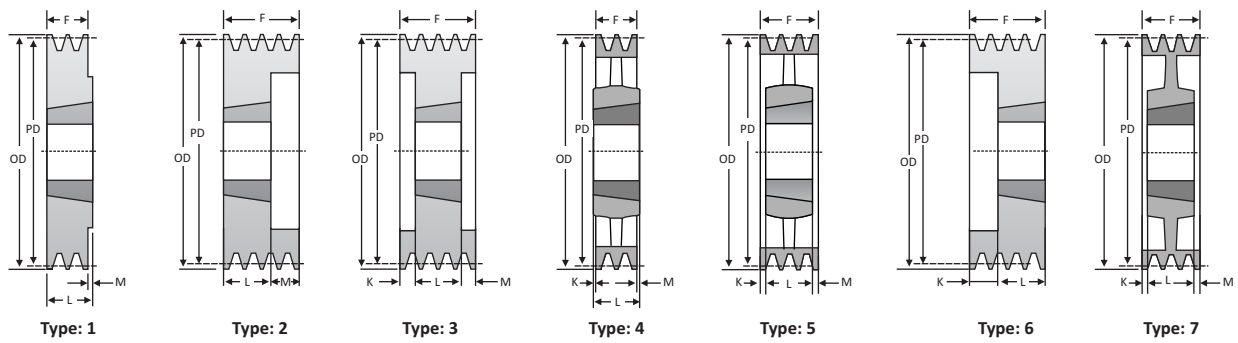
Standard V-Belt Pulley groove details

Section	Groove Pitch Width (Wp) mm	Min. distance from outside diameter to Pitch Dia. (B) mm	Min. groove depth below pitch diameter (Note 4) (h) mm	Centre to centre of groove (See note 2) (e) mm	Edge of pulley to 1st groove centre (See note 3) (f) mm	Pitch diameter (dp) mm	Groove angle (θ)mm	Min. top width of groove (g) mm
Z, SPZ ZX, XPZ	8.5	2.00	9.0	12±0.3	8.0±1.0	Up to 80 Over 80	34±0.5 38±0.5	9.7 9.9
A, SPA AX, XPA	11.0	2.75	11.0	15±0.3	10.0+2.0 -1.0	Up to 118 Over 118	34±0.5 38±0.5	12.7 12.9
B, SPB BX, XPB	14.0	3.50	14.0	19±0.4	12.5+2.0 - 1.0	Up to 190 Over 190	34±0.5 38±0.5	16.1 16.4
C, SPC CX, XPC	19.0	4.80	19.0	25.5±0.5	17.0+2.0 -1.0	Up to 315 Over 315	34±0.5 38±0.5	21.9 22.3
D	27.0	8.10	19.9	37±0.6	24.0+3.0 -1.0	Up to 475 475 & over	36±0.5 38±0.5	32.3 32.6
E	32.0	9.60	23.4	44.5±0.7	29.0+4.0 -1.0	Up to 610 Over 610	36±0.5 38±0.5	38.8 39.3
3V, 3VX		0.64	8.0	10.3±0.4	8.7+2.0 -0.8	Up to 88 88 to 152 152 to 305 Above 305	36±0.5 38±0.5 40±0.5 42±0.5	8.9
5V, 5VX		1.27	13.7	17.5±0.4	12.7+3.0 -1.0	Up to 254 254 to 406 Above 406	38±0.5 40±0.5 42±0.5	15.2
8V, 8VX		2.54	22.6	28.6±0.4	19.0+6.0 -1.5	Up to 406 406 to 569 Above 569	38±0.5 40±0.5 42±0.5	25.4



1. The tolerance on the dimensions apply to the distance between the center of any two grooves whether adjacent or not
2. It is recommended that the tolerance on dimensions should be taken into account while aligning the Pulleys
3. When the Pulleys are to be used for V-Belts Z, A, B, C sections, the value of 'h' may be reduced by 20%
4. Only above dimension Pulleys should be used for Banded Belts except for 'A' section, where e=15.9 mm

SPZ/XPZ & Z/ZX section Pulleys



Product Code	Pitch Diameter (PD) (mm)	Outer Diameter (OD) (mm)	Number of grooves	Bush Number	Bush Max. Bore		F	K	L	M	Pulley Type
					Metric (mm)	Imperial (Inches)					
TLP SPZ 56-01 1008	56	60	1	1008	25.0	1"	16.0	-	22.0	7.0	6
TLP SPZ 56-02 1008			2	1008	25.0	1"	28.0	5.0	22.0	-	6
TLP SPZ 60-01 1008	60	64	1	1008	25.0	1"	16.0	-	22.0	7.0	6
TLP SPZ 60-02 1008			2	1108	28.0	1 1/8"	28.0	5.0	22.0	-	6
TLP SPZ 63-01 1108	63	67	1	1108	28.0	1 1/8"	16.0	-	22.0	7.0	1
TLP SPZ 63-02 1108			2	1108	28.0	1 1/8"	28.0	-	22.0	7.0	1
TLP SPZ 63-03 1108			3	1108	28.0	1 1/8"	40.0	-	22.0	-	6
TLP SPZ 67-01 1108	67	71	1	1108	28.0	1 1/8"	16.0	-	23.0	7.0	1
TLP SPZ 67-02 1108			2	1108	28.0	1 1/8"	28.0	5.0	23.0	-	6
TLP SPZ 71-01 1108	71	75	1	1108	28.0	1 1/8"	16.0	-	23.0	7.0	1
TLP SPZ 71-02 1108			2	1108	28.0	1 1/8"	28.0	5.0	23.0	-	6
TLP SPZ 75-01 1108	75	79	1	1108	28.0	1 1/8"	16.0	-	23.0	7.0	1
TLP SPZ 75-02 1210			2	1210	32.0	1 1/4"	28.0	3.0	25.0	-	6
TLP SPZ 80-01 1210	80	84	1	1210	32.0	1 1/4"	16.0	-	26.0	10.0	1
TLP SPZ 80-02 1210			2	1210	32.0	1 1/4"	28.0	3.0	25.0	-	6
TLP SPZ 80-03 1210			3	1210	32.0	1 1/4"	40.0	14.0	26.0	-	6
TLP SPZ 85-01 1210	85	89	1	1210	32.0	1 1/4"	16.0	-	26.0	10.0	1
TLP SPZ 85-02 1610			2	1610	42.0	1 5/8"	28.0	3.0	25.0	-	6
TLP SPZ 85-03 1610			3	1610	42.0	1 5/8"	40.0	14.0	26.0	-	6
TLP SPZ 85-04 1610			4	1610	42.0	1 5/8"	52.0	26.0	26.0	-	6
TLP SPZ 90-01 1210	90	94	1	1210	32.0	1 1/4"	16.0	-	26.0	10.0	1
TLP SPZ 90-02 1610			2	1610	42.0	1 5/8"	28.0	3.0	25.0	-	6
TLP SPZ 90-03 1610			3	1610	42.0	1 5/8"	40.0	14.0	26.0	-	6
TLP SPZ 90-04 1610			4	1610	42.0	1 5/8"	52.0	26.0	26.0	-	6
TLP SPZ 90-05 1610			5	1610	42.0	1 5/8"	64.0	38.0	26.0	-	6
TLP SPZ 95-01 1210	95	99	1	1210	32.0	1 1/4"	16.0	-	26.0	10.0	1
TLP SPZ 95-02 1610			2	1610	42.0	1 5/8"	28.0	3.0	25.0	-	6
TLP SPZ 95-03 1610			3	1610	42.0	1 5/8"	40.0	14.0	26.0	-	6
TLP SPZ 95-04 1610			4	1610	42.0	1 5/8"	52.0	26.0	26.0	-	6
TLP SPZ 95-05 1610			5	1610	42.0	1 5/8"	64.0	38.0	26.0	-	6
TLP SPZ 100-01 1210	100	104	1	1210	32.0	1 1/4"	16.0	-	26.0	10.0	1
TLP SPZ 100-02 1610			2	1610	42.0	1 5/8"	28.0	3.0	25.0	-	6
TLP SPZ 100-03 1610			3	1610	42.0	1 5/8"	40.0	14.0	26.0	-	6
TLP SPZ 100-04 2012			4	2012	50.0	2"	52.0	26.0	26.0	-	6
TLP SPZ 100-05 2012			5	2012	50.0	2"	64.0	31.0	33.0	-	6
TLP SPZ 106-01 1610	106	110	1	1610	42.0	1 5/8"	16.0	-	26.0	10.0	1
TLP SPZ 106-02 1610			2	1610	42.0	1 5/8"	28.0	-	26.0	10.0	1
TLP SPZ 106-03 1610			3	1610	42.0	1 5/8"	40.0	-	33.0	7.0	2
TLP SPZ 106-04 1610			4	1610	42.0	1 5/8"	52.0	19.0	33.0	7.0	2
TLP SPZ 106-05 2012			5	2012	50.0	2"	64.0	-	22.0	7.0	6
TLP SPZ 106-06 2012			6	2012	50.0	2"	76.0	-	22.0	7.0	6
TLP SPZ 112-01 1610	112	116	1	1610	42.0	1 5/8"	16.0	-	26.0	10.0	1
TLP SPZ 112-02 1610			2	1610	42.0	1 5/8"	28.0	3.0	25.0	-	6
TLP SPZ 112-03 2012			3	2012	50.0	2"	40.0	7.0	33.0	-	6
TLP SPZ 112-04 2012			4	2012	50.0	2"	52.0	19.0	33.0	-	6
TLP SPZ 112-05 2012			5	2012	50.0	2"	64.0	31.0	33.0	-	6

SPZ/XPZ & Z/ZX section Pulleys

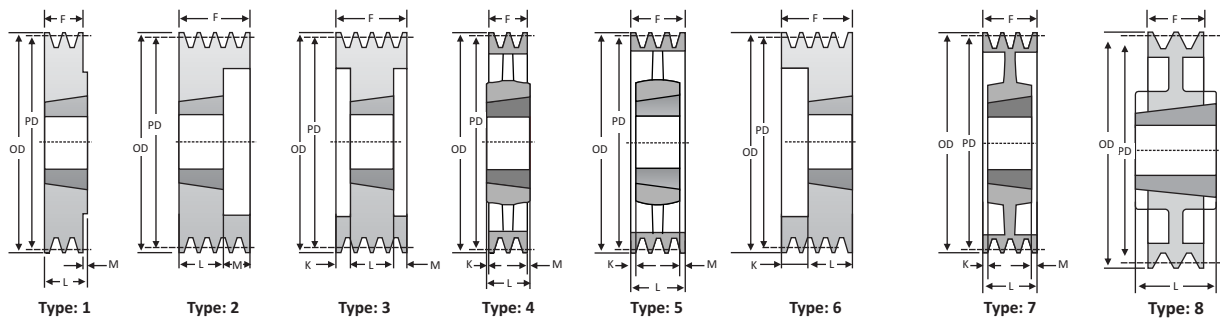
Product Code	Pitch Diameter (PD) (mm)	Outer Diameter (OD) (mm)	Number of grooves	Bush Number	Bush Max. Bore		F	K	L	M	Pulley Type
					Metric (mm)	Imperial (Inches)					
TLP SPZ 118-01 1610	118	122	1	1610	42.0	1 5/8"	16.0	-	26.0	10.0	1
TLP SPZ 118-02 1610			2	1610	42.0	1 5/8"	28.0	3.0	26.0	10.0	1
TLP SPZ 118-03 2012			3	2012	50.0	2"	40.0	7.0	33.0	-	2
TLP SPZ 118-04 2012			4	2012	50.0	2"	52.0	19.0	33.0	-	2
TLP SPZ 118-05 2012			5	2012	50.0	2"	64.0	-	22.0	7.0	6
TLP SPZ 118-06 2517			6	2517	65.0	2 1/2"	76.0	-	22.0	7.0	6
TLP SPZ 125-01 1610	125	129	1	1610	42.0	1 5/8"	16.0	-	26.0	10.0	1
TLP SPZ 125-02 1610			2	1610	42.0	1 5/8"	28.0	3.0	25.0	-	6
TLP SPZ 125-03 2012			3	2012	50.0	2"	40.0	7.0	33.0	-	6
TLP SPZ 125-04 2012			4	2012	50.0	2"	52.0	19.0	33.0	-	6
TLP SPZ 125-05 2517			5	2517	60.0	2 1/2"	64.0	18.0	46.0	-	6
TLP SPZ 132-01 1610	132	136	1	1610	42.0	1 5/8"	16.0	-	26.0	10.0	1
TLP SPZ 132-02 1610			2	1610	42.0	1 5/8"	28.0	-	26.0	10.0	1
TLP SPZ 132-03 2012			3	2012	50.0	2"	40.0	-	33.0	7.0	2
TLP SPZ 132-04 2012			4	2012	50.0	2"	52.0	-	33.0	19.0	2
TLP SPZ 132-05 2517			5	2517	65.0	2 1/2"	64.0	-	46.0	18.0	2
TLP SPZ 132-06 2517			6	2517	65.0	2 1/2"	76.0	-	46.0	-	2
TLP SPZ 140-01 1610	140	144	1	1610	42.0	1 5/8"	16.0	-	26.0	10.0	1
TLP SPZ 140-02 1610			2	1610	42.0	1 5/8"	28.0	3.0	25.0	-	6
TLP SPZ 140-03 2012			3	2012	50.0	2"	40.0	-	33.0	7.0	2
TLP SPZ 140-04 2012			4	2012	50.0	2"	52.0	-	33.0	19.0	2
TLP SPZ 140-05 2517			5	2517	60.0	2 1/2"	64.0	-	46.0	18.0	2
TLP SPZ 150-01 1610	150	154	1	1610	42.0	1 5/8"	16.0	-	26.0	10.0	1
TLP SPZ 150-02 2012			2	2012	50.0	2"	28.0	2.0	32.0	2.0	4
TLP SPZ 150-03 2012			3	2012	50.0	2"	40.0	-	33.0	7.0	2
TLP SPZ 150-04 2517			4	2517	65.0	2 1/2"	52.0	-	46.0	6.0	2
TLP SPZ 150-05 2517			5	2517	65.0	2 1/2"	64.0	-	46.0	18.0	2
TLP SPZ 150-06 2517			6	2517	65.0	2 1/2"	76.0	-	46.0	-	2
TLP SPZ 150-07 2517			7	2517	65.0	2 1/2"	100.0	27.0	45.0	-	3
TLP SPZ 160-01 1610	160	164	1	1610	42.0	1 5/8"	16.0	-	26.0	10.0	1
TLP SPZ 160-02 2012			2	2012	50.0	2"	28.0	-	33.0	5.0	1
TLP SPZ 160-03 2012			3	2012	50.0	2"	40.0	-	33.0	7.0	2
TLP SPZ 160-04 2517			4	2517	60.0	2 1/2"	52.0	-	46.0	6.0	2
TLP SPZ 160-05 2517			5	2517	60.0	2 1/2"	64.0	-	46.0	18.0	2
TLP SPZ 170-01 1610	170	174	1	1610	42.0	1 5/8"	16.0	-	25.0	9.0	1
TLP SPZ 170-02 2012			2	2012	50.0	2"	28.0	2.0	32.0	2.0	4
TLP SPZ 170-03 2012			3	2012	50.0	2"	40.0	7.0	33.0	7.0	2
TLP SPZ 170-04 2517			4	2517	65.0	2 1/2"	52.0	-	33.0	19.0	2
TLP SPZ 170-05 2517			5	2517	65.0	2 1/2"	64.0	-	46.0	18.0	2
TLP SPZ 170-06 2517			6	2517	65.0	2 1/2"	76.0	-	46.0	19.0	2
TLP SPZ 170-07 2517			7	2517	65.0	2 1/2"	100.0	27.0	45.0	-	3
TLP SPZ 180-01 1610	180	184	1	1610	42.0	1 5/8"	16.0	-	26.0	10.0	1
TLP SPZ 180-02 2012			2	2012	50.0	2"	28.0	-	33.0	5.0	1
TLP SPZ 180-03 2012			3	2012	50.0	2"	40.0	-	33.0	7.0	2
TLP SPZ 180-04 2517			4	2517	60.0	2 1/2"	52.0	-	46.0	6.0	2
TLP SPZ 180-05 2517			5	2517	60.0	2 1/2"	64.0	-	46.0	18.0	2
TLP SPZ 190-01 1610	190	194	1	1610	42.0	1 5/8"	16.0	8.0	32.0	8.0	4
TLP SPZ 190-02 2012			2	2012	50.0	2"	28.0	2.0	32.0	2.0	4
TLP SPZ 190-03 2012			3	2012	50.0	2"	40.0	-	32.0	-	7
TLP SPZ 190-04 2517			4	2517	65.0	2 1/2"	52.0	-	46.0	6.0	2
TLP SPZ 190-05 2517			5	2517	65.0	2 1/2"	64.0	-	46.0	18.0	2
TLP SPZ 190-06 2517			6	2517	65.0	2 1/2"	76.0	15.0	45.0	-	3
TLP SPZ 200-01 2012	200	204	1	2012	50.0	2"	16.0	-	33.0	15.0	1
TLP SPZ 200-02 2012			2	2012	50.0	2"	28.0	-	33.0	5.0	1
TLP SPZ 200-03 2012			3	2012	50.0	2"	40.0	-	33.0	7.0	2
TLP SPZ 200-04 2517			4	2517	60.0	2 1/2"	52.0	3.5	45.0	3.5	3
TLP SPZ 200-05 2517			5	2517	60.0	2 1/2"	64.0	9.5	45.0	9.5	7

SPZ/XPZ & Z/ZX section Pulleys

Product Code	Pitch Diameter (PD) (mm)	Outer Diameter (OD) (mm)	Number of grooves	Bush Number	Bush Max. Bore		F	K	L	M	Pulley Type
					Metric (mm)	Imperial (Inches)					
TLP SPZ 224-01 2012	224	228	1	2012	50.0	2"	16.0	8.0	32.0	8.0	4
TLP SPZ 224-02 2012			2	2012	50.0	2"	28.0	2.0	32.0	2.0	4
TLP SPZ 224-03 2012			3	2012	50.0	2"	40.0	-	45.0	-	7
TLP SPZ 224-04 2517			4	2517	65.0	2 1/2"	52.0	3.5	45.0	3.5	7
TLP SPZ 224-05 2517			5	2517	65.0	2 1/2"	64.0	9.5	45.0	9.5	7
TLP SPZ 224-06 2517			6	2517	65.0	2 1/2"	76.0	15.5	45.0	-	7
TLP SPZ 224-08 3020			8	3020	75.0	3"	100.0	23.5	45.0	-	7
TLP SPZ 250-01 2012			250	254	1	2012	50.0	2"	16.0	8.0	32.0
TLP SPZ 250-02 2012	2	2012			50.0	2"	28.0	2.0	32.0	2.0	4
TLP SPZ 250-03 2012	3	2012			50.0	2"	40.0	4.0	32.0	4.0	5
TLP SPZ 250-04 2517	4	2517			60.0	2 1/2"	52.0	3.5	45.0	3.5	7
TLP SPZ 250-05 2517	5	2517			60.0	2 1/2"	64.0	9.5	45.0	9.5	5
TLP SPZ 280-01 2012	280	284	1	2012	50.0	2"	16.0	8.0	32.0	8.0	4
TLP SPZ 280-02 2012			2	2012	50.0	2"	28.0	2.0	32.0	2.0	4
TLP SPZ 280-03 2517			3	2517	65.0	2 1/2"	40.0	2.5	45.0	2.5	4
TLP SPZ 280-04 2517			4	2517	65.0	2 1/2"	52.0	-	45.0	-	7
TLP SPZ 280-05 2517			5	2517	65.0	2 1/2"	64.0	9.5	45.0	9.5	7
TLP SPZ 280-06 2517			6	2517	65.0	2 1/2"	76.0	15.5	45.0	-	5
TLP SPZ 280-08 3020			8	3020	75.0	3"	100.0	24.5	51.0	-	5
TLP SPZ 315-01 2012			315	319	1	2012	50.0	2"	16.0	8.0	32.0
TLP SPZ 315-02 2012	2	2012			50.0	2"	28.0	2.0	32.0	2.0	4
TLP SPZ 315-03 2517	3	2517			60.0	2 1/2"	40.0	2.5	45.0	2.5	4
TLP SPZ 315-04 2517	4	2517			60.0	2 1/2"	52.0	3.5	45.0	3.5	5
TLP SPZ 315-05 2517	5	2517			60.0	2 1/2"	64.0	9.5	45.0	9.5	5
TLP SPZ 335-01 2012	355	359	1	2012	50.0	2"	16.0	8.0	32.0	8.0	4
TLP SPZ 335-02 2012			2	2012	50.0	2"	28.0	2.0	32.0	2.0	4
TLP SPZ 335-03 2517			3	2517	65.0	2 1/2"	40.0	2.5	45.0	2.5	4
TLP SPZ 335-04 2517			4	2517	65.0	2 1/2"	52.0	3.5	45.0	3.5	5
TLP SPZ 335-05 2517			5	2517	65.0	2 1/2"	64.0	9.5	45.0	9.5	5
TLP SPZ 335-06 2517			6	2517	65.0	2 1/2"	76.0	-	45.0	-	5
TLP SPZ 335-08 3030			8	3030	75.0	3"	100.0	-	76.0	-	5
TLP SPZ 400-01 2012			400	404	1	2012	50.0	2"	16.0	8.0	32.0
TLP SPZ 400-02 2517	2	2517			60.0	2 1/2"	28.0	8.5	45.0	8.5	4
TLP SPZ 400-03 2517	3	2517			60.0	2 1/2"	40.0	2.5	45.0	2.5	4
TLP SPZ 400-04 2517	4	2517			60.0	2 1/2"	52.0	3.5	45.0	3.5	5
TLP SPZ 400-05 3020	5	3020			75.0	3"	64.0	6.5	51.0	6.5	5
TLP SPZ 450-01 2517	450	454	1	2517	65.0	2 1/2"	16.0	2.5	45.0	2.5	4
TLP SPZ 450-02 2517			2	2517	65.0	2 1/2"	28.0	8.5	45.0	8.5	4
TLP SPZ 450-03 2517			3	2517	65.0	2 1/2"	40.0	2.5	45.0	2.5	4
TLP SPZ 450-04 3020			4	3020	75.0	3"	52.0	0.5	51.0	0.5	5
TLP SPZ 450-05 3020			5	3020	75.0	3"	64.0	0.6	76.0	6.0	5
TLP SPZ 450-06 3030			6	3030	75.0	3"	76.0	-	76.0	-	5
TLP SPZ 500-02 2517	500	504	2	2517	60.0	2 1/2"	28.0	8.5	45.0	8.5	4
TLP SPZ 500-03 2517			3	2517	60.0	2 1/2"	40.0	2.5	45.0	2.5	4
TLP SPZ 500-04 3020			4	3020	75.0	3"	52.0	0.5	51.0	0.5	5
TLP SPZ 500-05 3020			5	3020	75.0	3"	64.0	6.0	76.0	6.0	5

- Above 'Pulley Description' is for 'SPZ' section Pulleys, replace 'SPZ' with 'XPZ' or 'Z' or 'ZX' to arrive at respective product code.
- Please refer 'PIX recommended minimum pulley diameter' charts given on page no. 3
- Unlisted sizes are available on request

SPA/XPA & A/AX section Pulleys



Product Code	Pitch Diameter (PD) (mm)	Outer Diameter (OD) (mm)	Number of grooves	Bush Number	Bush Max. Bore		F	K	L	M	Pulley Type
					Metric (mm)	Imperial (Inches)					
TLP SPA 71-01 1108	71	76.5	1	1108	28	1 1/8"	20	-	22	2.0	1
TLP SPA 71-02 1108			2	1108	28	1 1/8"	35	13	22	-	6
TLP SPA 71-03 1108			3	1108	28	1 1/8"	50	28	22	-	6
TLP SPA 75-01 1108	75	80.5	1	1108	28	1 1/8"	20	-	22	2.0	1
TLP SPA 75-02 1108			2	1108	28	1 1/8"	35	13	22	-	6
TLP SPA 75-03 1210			3	1210	32	1 1/4"	50	25	25	-	6
TLP SPA 80-01 1108	80	85.5	1	1108	28	1 1/8"	20	-	22	2.0	1
TLP SPA 80-02 1108			2	1108	28	1 1/8"	35	13	22	-	6
TLP SPA 80-03 1210			3	1210	32	1 1/4"	50	25	25	-	6
TLP SPA 80-04 1215			4	1215	32	1 1/4"	65	27	38	-	6
TLP SPA 80-05 1215			5	1215	32	1 1/4"	80	42	38	-	6
TLP SPA 85-01 1108	85	90.5	1	1108	28	1 1/8"	20	-	22	2.0	1
TLP SPA 85-02 1108			2	1108	28	1 1/8"	35	13	22	-	6
TLP SPA 85-03 1210			3	1210	32	1 1/4"	50	25	25	-	6
TLP SPA 85-04 1215			4	1215	32	1 1/4"	65	27	38	-	6
TLP SPA 85-05 1215			5	1215	32	1 1/4"	80	42	38	-	6
TLP SPA 90-01 1210	90	95.5	1	1210	32	1 1/4"	20	-	22	2.0	1
TLP SPA 90-02 1210			2	1210	32	1 1/4"	35	13	22	-	6
TLP SPA 90-03 1610			3	1610	42	1 5/8"	50	25	25	-	6
TLP SPA 90-04 1615			4	1615	42	1 5/8"	65	13.5	38	13.5	3
TLP SPA 90-05 1615			5	1615	42	1 5/8"	80	21	38	21.0	3
TLP SPA 95-01 1610	95	105.5	1	1610	42	1 5/8"	20	-	22	2.0	1
TLP SPA 95-02 1610			2	1610	42	1 5/8"	35	10	22	-	6
TLP SPA 95-03 1610			3	1610	42	1 5/8"	50	25	25	-	6
TLP SPA 95-04 1615			4	1615	42	1 5/8"	65	13.5	38	13.5	3
TLP SPA 95-05 1615			5	1615	42	1 5/8"	80	21	38	21.0	3
TLP SPA 100-01 1610	100	105.5	1	1610	42	1 5/8"	20	-	25	5.0	1
TLP SPA 100-02 1610			2	1610	42	1 5/8"	35	10	25	-	6
TLP SPA 100-03 1610			3	1610	42	1 5/8"	50	25	25	-	6
TLP SPA 100-04 1615			4	1615	42	1 5/8"	65	27	38	-	6
TLP SPA 100-05 1615			5	1615	42	1 5/8"	80	42	38	-	6
TLP SPA 100-06 1615			6	1615	42	1 5/8"	95	28.5	38	28.5	6
TLP SPA 106-01 1610	106	111.5	1	1610	42	1 5/8"	20	-	25	5.0	1
TLP SPA 106-02 1610			2	1610	42	1 5/8"	35	10	25	-	6
TLP SPA 106-03 1610			3	1610	42	1 5/8"	50	25	25	-	6
TLP SPA 106-04 1615			4	1615	42	1 5/8"	65	27	38	-	6
TLP SPA 106-05 2012			5	2012	50	2"	80	48	32	-	6
TLP SPA 106-06 2012			6	2012	50	2"	95	31.5	32	31.5	6
TLP SPA 112-01 1610	112	117.5	1	1610	42	1 5/8"	20	-	25	5.0	1
TLP SPA 112-02 1610			2	1610	42	1 5/8"	35	10.0	25	-	6
TLP SPA 112-03 2012			3	2012	50	2"	50	18.0	32	-	6
TLP SPA 112-04 2012			4	2012	50	2"	65	33.0	32	-	6
TLP SPA 112-05 2012			5	2012	50	2"	80	48.0	32	-	6
TLP SPA 112-06 2012			6	2012	50	2"	95	63.0	32	-	6

SPA/XPA & A/AX section Pulleys

Product Code	Pitch Diameter (PD) (mm)	Outer Diameter (OD) (mm)	Number of grooves	Bush Number	Bush Max. Bore		F	K	L	M	Pulley Type
					Metric (mm)	Imperial (Inches)					
TLP SPA 118-01 1610	118	123.5	1	1610	42	1 5/8"	20	-	25	5.0	1
TLP SPA 118-02 1610			2	1610	42	1 5/8"	35	10.0	25	-	6
TLP SPA 118-03 2012			3	2012	50	2"	50	18.0	32	-	6
TLP SPA 118-04 2012			4	2012	50	2"	65	33.0	32	-	6
TLP SPA 118-05 2012			5	2012	50	2"	80	48.0	32	-	6
TLP SPA 118-06 2012			6	2012	50	2"	95	63.0	32	-	6
TLP SPA 125-01 1610	125	130.5	1	1610	42	1 5/8"	20	25.0	25	5.0	1
TLP SPA 125-02 1610			2	1610	42	1 5/8"	35	-	25	10.0	2
TLP SPA 125-03 2012			3	2012	50	2"	50	-	32	18.0	2
TLP SPA 125-04 2012			4	2012	50	2"	65	-	32	33.0	2
TLP SPA 125-05 2012			5	2012	50	2"	80	-	32	48.0	2
TLP SPA 125-06 2012			6	2012	50	2"	95	31.5	32	31.5	2
TLP SPA 132-01 1610	132	137.5	1	1610	42	1 5/8"	20	-	25	5.0	1
TLP SPA 132-02 1610			2	1610	42	1 5/8"	35	-	25	10.0	2
TLP SPA 132-03 2012			3	2012	50	2"	50	-	32	18.0	2
TLP SPA 132-04 2517			4	2517	60	2 1/2"	65	-	45	20.0	2
TLP SPA 132-05 2517			5	2517	60	2 1/2"	80	-	45	35.0	2
TLP SPA 132-06 2517			6	2517	60	2 1/2"	95	25.0	45	25.0	2
TLP SPA 140-01 1610	140	145.5	1	1610	42	1 5/8"	20	-	25	5.0	1
TLP SPA 140-02 2012			2	2012	50	2"	35	3.0	32	-	6
TLP SPA 140-03 2517			3	2517	60	2 1/2"	50	-	45	5.0	2
TLP SPA 140-04 2517			4	2517	60	2 1/2"	65	-	45	20.0	2
TLP SPA 140-05 2517			5	2517	60	2 1/2"	80	-	45	35.0	2
TLP SPA 140-06 2517			6	2517	60	2 1/2"	95	25.0	45	25.0	2
TLP SPA 150-01 1610	150	155.5	1	1610	42	1 5/8"	20	-	25	5.0	1
TLP SPA 150-02 2012			2	2012	50	2"	35	3.0	32	-	6
TLP SPA 150-03 2517			3	2517	60	2 1/2"	50	-	45	5.0	2
TLP SPA 150-04 2517			4	2517	60	2 1/2"	65	-	45	20.0	2
TLP SPA 150-05 2517			5	2517	60	2 1/2"	80	-	45	35.0	2
TLP SPA 150-06 2517			6	2517	60	2 1/2"	95	25.0	45	25.0	2
TLP SPA 160-01 1610	160	165.5	1	1610	42	1 5/8"	20	-	25	5.0	1
TLP SPA 160-02 2012			2	2012	50	2"	35	3.0	32	-	6
TLP SPA 160-03 2517			3	2517	60	2 1/2"	50	-	45	5.0	2
TLP SPA 160-04 2517			4	2517	60	2 1/2"	65	-	45	20.0	2
TLP SPA 160-05 2517			5	2517	60	2 1/2"	80	25.0	45	35.0	2
TLP SPA 160-06 2517			6	2517	60	2 1/2"	95	-	45	25.0	2
TLP SPA 170-01 1610	170	175.5	1	1610	42	1 5/8"	20	3.0	25	5.0	1
TLP SPA 170-02 2012			2	2012	50	2"	35	-	32	-	6
TLP SPA 170-03 2517			3	2517	60	2 1/2"	50	-	45	5.0	2
TLP SPA 170-04 2517			4	2517	60	2 1/2"	65	-	45	20.0	2
TLP SPA 170-05 2517			5	2517	60	2 1/2"	80	25.0	45	35.0	2
TLP SPA 170-06 2517			6	2517	60	2 1/2"	95	-	45	25.0	2
TLP SPA 180-01 1610	180	185.5	1	1610	42	1 5/8"	20	2.5	25	2.5	4
TLP SPA 180-02 2012			2	2012	50	2"	35	-	32	3.0	2
TLP SPA 180-03 2517			3	2517	60	2 1/2"	50	-	45	5.0	2
TLP SPA 180-04 2517			4	2517	60	2 1/2"	65	-	45	20.0	2
TLP SPA 180-05 3020			5	3020	75	3"	80	22.0	51	29.0	2
TLP SPA 180-06 3020			6	3020	75	3"	95	32.0	51	22.0	2
TLP SPA 190-01 2012	190	195.5	1	2012	50	2"	20	6.0	32	6.0	4
TLP SPA 190-02 2012			2	2012	50	2"	35	-	32	3.0	2
TLP SPA 190-03 2517			3	2517	60	2 1/2"	50	-	45	5.0	2
TLP SPA 190-04 3020			4	3020	75	3"	65	-	51	14.0	2
TLP SPA 190-05 3020			5	3020	75	3"	80	-	51	29.0	2
TLP SPA 190-06 3020			6	3020	75	3"	95	-	51	22.0	2
TLP SPA 200-01 2012	200	205.5	1	2012	50	2"	20	6.0	32	6.0	4
TLP SPA 200-02 2517			2	2517	60	2 1/2"	35	-	45	10.0	8
TLP SPA 200-03 2517			3	2517	60	2 1/2"	50	-	45	5.0	3
TLP SPA 200-04 3020			4	3020	75	3"	65	-	51	14.0	2
TLP SPA 200-05 3020			5	3020	75	3"	80	-	51	29.0	2
TLP SPA 200-06 3020			6	3020	75	3"	95	-	51	22.0	2

SPA/XPA & A/AX section Pulleys

Product Code	Pitch Diameter (PD) (mm)	Outer Diameter (OD) (mm)	Number of grooves	Bush Number	Bush Max. Bore		F	K	L	M	Pulley Type
					Metric (mm)	Imperial (Inches)					
TLP SPA 212-01 2012	212	217.5	1	2012	50	2"	20	6.0	32	6.0	4
TLP SPA 212-02 2517			2	2517	60	2 1/2"	35	-	45	10.0	8
TLP SPA 212-03 2517			3	2517	60	2 1/2"	50	-	45	5.0	3
TLP SPA 212-04 3020			4	3020	75	3"	65	-	51	14.0	2
TLP SPA 212-05 3020			5	3020	75	3"	80	-	51	29.0	2
TLP SPA 212-06 3020			6	3020	75	3"	95	-	51	44.0	2
TLP SPA 224-01 2012	224	229.5	1	2012	50	2"	20	6.0	32	6.0	4
TLP SPA 224-02 2517			2	2517	60	2 1/2"	35	-	45	-	8
TLP SPA 224-03 2517			3	2517	60	2 1/2"	50	2.5	45	2.5	3
TLP SPA 224-04 3020			4	3020	75	3"	65	-	51	14.0	2
TLP SPA 224-05 3020			5	3020	75	3"	80	-	51	29.0	2
TLP SPA 224-06 3020			6	3020	75	3"	95	-	51	44.0	2
TLP SPA 236-01 2012	236	241.5	1	2012	50	2"	20	6.0	32	6.0	4
TLP SPA 236-02 2517			2	2517	60	2 1/2"	35	-	45	-	8
TLP SPA 236-03 2517			3	2517	60	2 1/2"	50	2.5	45	2.5	3
TLP SPA 236-04 3020			4	3020	75	3"	65	-	51	14.0	2
TLP SPA 236-05 3020			5	3020	75	3"	80	-	51	29.0	2
TLP SPA 236-06 3020			6	3020	75	3"	95	-	51	44.0	2
TLP SPA 250-01 2012	250	255.5	1	2012	50	2"	20	6.0	32	6.0	4
TLP SPA 250-02 2517			2	2517	60	2 1/2"	35	-	45	-	8
TLP SPA 250-03 2517			3	2517	60	2 1/2"	50	2.5	45	2.5	7
TLP SPA 250-04 3020			4	3020	75	3"	65	7.0	51	7.0	7
TLP SPA 250-05 3020			5	3020	75	3"	80	14.5	51	14.5	7
TLP SPA 250-06 3020			6	3020	75	3"	95	22.0	51	22.0	7
TLP SPA 265-01 2012	265	270.5	1	2012	50	2"	20	6.0	32	6.0	4
TLP SPA 265-02 2517			2	2517	60	2 1/2"	35	-	45	-	8
TLP SPA 265-03 2517			3	2517	60	2 1/2"	50	2.5	45	2.5	7
TLP SPA 265-04 3020			4	3020	75	3"	65	7.0	51	7.0	7
TLP SPA 265-05 3020			5	3020	75	3"	80	14.5	51	14.5	7
TLP SPA 265-06 3020			6	3020	75	3"	95	22.0	51	22.0	7
TLP SPA 280-01 2012	280	285.5	1	2012	50	2"	20	6.0	32	6.0	4
TLP SPA 280-02 2517			2	2517	60	2 1/2"	35	-	45	-	8
TLP SPA 280-03 2517			3	2517	60	2 1/2"	50	2.5	45	2.5	7
TLP SPA 280-04 3020			4	3020	75	3"	65	7.0	51	7.0	7
TLP SPA 280-05 3535			5	3535	90	3 1/2"	80	-	89	-	8
TLP SPA 280-06 3535			6	3535	90	3 1/2"	95	3.0	89	3.0	7
TLP SPA 300-01 2012	300	305.5	1	2012	50	2"	20	6.0	32	6.0	4
TLP SPA 300-02 2517			2	2517	60	2 1/2"	35	-	45	-	8
TLP SPA 300-03 2517			3	2517	60	2 1/2"	50	2.5	45	2.5	7
TLP SPA 300-04 3020			4	3020	75	3"	65	3.5	51	3.5	7
TLP SPA 300-05 3535			5	3535	90	3 1/2"	80	-	89	-	8
TLP SPA 300-06 3535			6	3535	90	3 1/2"	95	3.0	89	3.0	7
TLP SPA 315-01 2012	315	320.5	1	2012	50	2"	20	6.0	32	6.0	4
TLP SPA 315-02 2517			2	2517	60	2 1/2"	35	5.0	45	5.0	4
TLP SPA 315-03 3020			3	3020	75	3"	50	-	51	-	8
TLP SPA 315-04 3020			4	3020	75	3"	65	7.0	51	7.0	7
TLP SPA 315-05 3535			5	3535	90	3 1/2"	80	-	89	-	8
TLP SPA 315-06 3535			6	3535	90	3 1/2"	95	3.0	89	3.0	7
TLP SPA 335-01 2012	335	340.5	1	2012	50	2"	20	6.0	32	6.0	4
TLP SPA 335-02 2517			2	2517	60	2 1/2"	35	5.0	45	5.0	4
TLP SPA 335-03 3020			3	3020	75	3"	50	-	51	-	8
TLP SPA 335-04 3020			4	3020	75	3"	65	7.0	51	7.0	7
TLP SPA 335-05 3535			5	3535	90	3 1/2"	80	-	89	-	8
TLP SPA 335-06 3535			6	3535	90	3 1/2"	95	3.0	89	3.0	7
TLP SPA 355-01 2012	355	360.5	1	2012	50	2"	20	6.0	32	6.0	4
TLP SPA 355-02 2517			2	2517	60	2 1/2"	35	5.0	45	5.0	4
TLP SPA 355-03 3020			3	3020	75	3"	50	-	51	1.0	6
TLP SPA 355-04 3020			4	3020	75	3"	65	7.0	51	7.0	7
TLP SPA 355-05 3535			5	3535	90	3 1/2"	80	-	89	-	8
TLP SPA 355-06 3535			6	3535	90	3 1/2"	95	3.0	89	3.0	7

SPA/XPA & A/AX section Pulleys

Product Code	Pitch Diameter (PD) (mm)	Outer Diameter (OD) (mm)	Number of grooves	Bush Number	Bush Max. Bore		F	K	L	M	Pulley Type
					Metric (mm)	Imperial (Inches)					
TLP SPA 375-01 2012	375	380.5	1	2012	50	2"	20	6.0	32	6.0	4
TLP SPA 375-02 2517			2	2517	60	2 1/2"	35	5.0	45	5.0	4
TLP SPA 375-03 3020			3	3020	75	3"	50	-	51	-	8
TLP SPA 375-04 3020			4	3020	75	3"	65	7.0	51	7.0	7
TLP SPA 375-05 3535			5	3535	90	3 1/2"	80	-	89	-	8
TLP SPA 375-06 3535			6	3535	90	3 1/2"	95	3.0	89	3.0	7
TLP SPA 400-01 2012	400	405.5	1	2012	50	2"	20	6.0	32	6.0	4
TLP SPA 400-02 2517			2	2517	60	2 1/2"	35	5.0	45	5.0	4
TLP SPA 400-03 3020			3	3020	75	3"	50	0.5	51	0.5	4
TLP SPA 400-04 3020			4	3020	75	3"	65	7.0	51	7.0	5
TLP SPA 400-05 3535			5	3535	90	3 1/2"	80	4.5	89	4.5	4
TLP SPA 400-06 3535			6	3535	90	3 1/2"	95	3.0	89	3.0	4
TLP SPA 425-01 2012	425	430.5	1	2012	50	2"	20	6.0	32	6.0	4
TLP SPA 425-02 2517			2	2517	60	2 1/2"	35	5.0	45	5.0	4
TLP SPA 425-03 3020			3	3020	75	3"	50	0.5	51	0.5	4
TLP SPA 425-04 3020			4	3020	75	3"	65	7.0	51	7.0	5
TLP SPA 425-05 3535			5	3535	90	3 1/2"	80	4.5	89	4.5	4
TLP SPA 425-06 3535			6	3535	90	3 1/2"	95	3.0	89	3.0	4
TLP SPA 450-01 2012	450	455.5	1	2012	50	2"	20	6.0	32	6.0	4
TLP SPA 450-02 2517			2	2517	60	2 1/2"	35	5.0	45	5.0	4
TLP SPA 450-03 3020			3	3020	75	3"	50	0.5	51	0.5	4
TLP SPA 450-04 3020			4	3020	75	3"	65	7.0	51	7.0	5
TLP SPA 450-05 3535			5	3535	90	3 1/2"	80	4.5	89	4.5	4
TLP SPA 450-06 3535			6	3535	90	3 1/2"	95	3.0	89	3.0	4
TLP SPA 475-01 2012	475	480.5	1	2012	50	2"	20	6.0	32	6.0	4
TLP SPA 475-02 2517			2	2517	60	2 1/2"	35	5.0	45	5.0	4
TLP SPA 475-03 3020			3	3020	75	3"	50	0.5	51	0.5	4
TLP SPA 475-04 3020			4	3020	75	3"	65	7.0	51	7.0	5
TLP SPA 475-05 3535			5	3535	90	3 1/2"	80	4.5	89	4.5	4
TLP SPA 475-06 3535			6	3535	90	3 1/2"	95	3.0	89	3.0	4
TLP SPA 500-01 2517	500	505.5	1	2517	60	2 1/2"	20	12.5	45	12.5	4
TLP SPA 500-02 2517			2	2517	60	2 1/2"	35	5.0	45	5.0	4
TLP SPA 500-03 3020			3	3020	75	3"	50	0.5	51	0.5	4
TLP SPA 500-04 3020			4	3020	75	3"	65	7.0	51	7.0	5
TLP SPA 500-05 3535			5	3535	90	3 1/2"	80	4.5	89	4.5	4
TLP SPA 500-06 3535			6	3535	90	3 1/2"	95	3.0	89	3.0	4
TLP SPA 530-01 2517	530	535.5	1	2517	60	2 1/2"	20	12.5	45	12.5	4
TLP SPA 530-02 2517			2	2517	60	2 1/2"	35	5.0	45	5.0	4
TLP SPA 530-03 3020			3	3020	75	3"	50	0.5	51	0.5	4
TLP SPA 530-04 3020			4	3020	75	3"	65	7.0	51	7.0	5
TLP SPA 530-05 3535			5	3535	90	3 1/2"	80	4.5	89	4.5	4
TLP SPA 530-06 3535			6	3535	90	3 1/2"	95	3.0	89	3.0	5
TLP SPA 560-01 3020	560	565.5	1	3020	75	3"	20	6.0	32	6.0	4
TLP SPA 560-02 3020			2	3020	75	3"	35	5.0	45	5.0	4
TLP SPA 560-03 3020			3	3020	75	3"	50	0.5	51	0.5	4
TLP SPA 560-04 3535			4	3535	90	3 1/2"	65	7.0	51	7.0	4
TLP SPA 560-05 3535			5	3535	90	3 1/2"	80	4.5	89	4.5	4
TLP SPA 560-06 3535			6	3535	90	3 1/2"	95	3.0	89	3.0	5
TLP SPA 630-01 3020	630	635.5	1	3020	75	3"	20	15.5	51	15.5	4
TLP SPA 630-02 3020			2	3020	75	3"	35	8.0	51	8.0	4
TLP SPA 630-03 3020			3	3020	75	3"	50	0.5	51	0.5	4
TLP SPA 630-04 3535			4	3535	90	3 1/2"	65	12.0	89	12.0	4
TLP SPA 630-05 3535			5	3535	90	3 1/2"	80	4.5	89	4.5	4
TLP SPA 630-06 4040			6	4040	100	4"	95	3.5	102	3.5	4
TLP SPA 710-03 3020	710	715.5	3	3020	75	3"	50	0.5	51	0.5	4
TLP SPA 710-04 3535			4	3535	90	3 1/2"	65	12.0	89	-	4
TLP SPA 710-05 3535			5	3535	90	3 1/2"	80	4.5	89	4.5	4
TLP SPA 710-06 4040			6	4040	100	4"	95	3.5	102	3.5	4

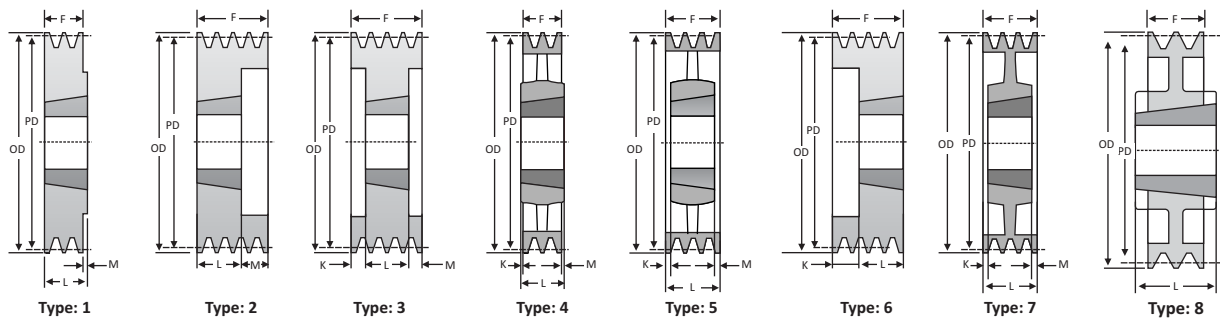
SPA/XPA & A/AX section Pulleys

Product Code	Pitch Diameter (PD) (mm)	Outer Diameter (OD) (mm)	Number of grooves	Bush Number	Bush Max. Bore		F	K	L	M	Pulley Type
					Metric (mm)	Imperial (Inches)					
TLP SPA 800-03 3535	800	805.5	3	3535	90	3 1/2"	50	19.5	89	19.5	4
TLP SPA 800-04 3535			4	3535	90	3 1/2"	65	12.0	89	12.0	4
TLP SPA 800-05 4040			5	4040	100	4"	80	11.0	102	11.0	4
TLP SPA 800-06 4040			6	4040	100	4"	95	3.5	102	3.5	4

- Above 'Pulley Description' is for 'SPA' section Pulleys, replace 'SPA' with 'XPA' or 'A' or 'AX' to arrive at respective product code
- Please refer 'PIX recommended minimum pulley diameter' charts given on page no. 3
- Unlisted sizes are available on request



SPB/XPB & B/BX section Pulleys



Product Code	Pitch Diameter (PD) (mm)	Outer Diameter (OD) (mm)	Number of grooves	Bush Number	Bush Max. Bore		F	K	L	M	Pulley Type
					Metric (mm)	Imperial (Inches)					
TLP SPB 90-01 1210	90	97	1	1210	32	1 1/4"	25	-	25	-	1
TLP SPB 90-02 1210			2	1210	32	1 1/4"	44	-	19	-	6
TLP SPB 90-03 1210			3	1210	32	1 1/4"	63	38.0	25	-	6
TLP SPB 95-01 1210	95	102	1	1210	32	1 1/4"	25	-	25	-	1
TLP SPB 95-02 1610			2	1610	42	1 5/8"	44	19.0	25	-	6
TLP SPB 95-03 1610			3	1610	42	1 5/8"	63	-	25	-	6
TLP SPB 100-01 1610	100	107	1	1610	42	1 5/8"	25	-	25	-	1
TLP SPB 100-02 1610			2	1610	42	1 5/8"	44	19.0	25	-	6
TLP SPB 100-03 1610			3	1610	42	1 5/8"	63	38.0	25	-	6
TLP SPB 106-01 1610	106	113	1	1610	42	1 5/8"	25	-	25	-	1
TLP SPB 106-02 1610			2	1610	42	1 5/8"	44	19.0	25	-	6
TLP SPB 106-03 1610			3	1610	42	1 5/8"	63	38.0	25	-	6
TLP SPB 112-01 1610	112	119	1	1610	42	1 5/8"	25	-	25	-	1
TLP SPB 112-02 1610			2	1610	42	1 5/8"	44	19.0	25	-	6
TLP SPB 112-03 1610			3	1610	42	1 5/8"	63	38.0	25	-	6
TLP SPB 118-01 1610	118	125	1	1610	42	1 5/8"	25	-	25	-	1
TLP SPB 118-02 1610			2	1610	42	1 5/8"	44	-	25	19.0	6
TLP SPB 118-03 1610			3	1610	42	1 5/8"	63	-	25	38.0	6
TLP SPB 125-01 1610	125	132	1	1610	42	1 5/8"	25	-	25	-	1
TLP SPB 125-02 1610			2	1610	42	1 5/8"	44	19.0	25	-	6
TLP SPB 125-03 1610			3	1610	42	1 5/8"	63	38.0	25	-	6
TLP SPB 125-04 2012			4	2012	50	2"	82	25.0	32	25.0	3
TLP SPB 125-05 2012			5	2012	50	2"	101	34.5	32	34.5	3
TLP SPB 125-06 2012			6	2012	50	2"	120	44.0	32	44.0	3
TLP SPB 132-01 1610	132	139	1	1610	42	1 5/8"	25	-	25	-	1
TLP SPB 132-02 1610			2	1610	42	1 5/8"	44	19.0	25	-	6
TLP SPB 132-03 1610			3	1610	42	1 5/8"	63	38.0	25	-	6
TLP SPB 132-04 2012			4	2012	50	2"	82	25.0	32	25.0	3
TLP SPB 132-05 2012			5	2012	50	2"	101	-	32	69.0	2
TLP SPB 132-06 2012			6	2012	50	2"	120	44.0	32	44.0	3
TLP SPB 140-01 1610	140	147	1	1610	42	1 5/8"	25	-	25	-	1
TLP SPB 140-02 1610			2	1610	42	1 5/8"	44	19.0	25	-	6
TLP SPB 140-03 1610			3	1610	42	1 5/8"	63	38.0	25	-	6
TLP SPB 140-04 2012			4	2012	50	2"	82	25.0	32	25.0	3
TLP SPB 140-05 2012			5	2012	50	2"	101	-	32	69.0	2
TLP SPB 140-06 2517			6	2517	60	2 1/2"	120	44.0	32	44.0	3
TLP SPB 150-01 1610	150	157	1	1610	42	1 5/8"	25	-	25	-	1
TLP SPB 150-02 1610			2	1610	42	1 5/8"	44	19.0	25	-	6
TLP SPB 150-03 2012			3	2012	50	2"	63	31.0	32	-	6
TLP SPB 150-04 2012			4	2012	50	2"	82	25.0	32	25.0	3
TLP SPB 150-05 2517			5	2517	60	2 1/2"	101	-	45	56.0	2
TLP SPB 150-06 2517			6	2517	60	2 1/2"	120	-	45	75.0	2
TLP SPB 150-08 2517			8	2517	60	2 1/2"	158	56.5	45	56.5	2
TLP SPB 160-01 1610			160	167	1	1610	42	1 5/8"	25	-	25
TLP SPB 160-02 2012	2	2012			50	2"	44	12.0	32	-	6
TLP SPB 160-03 2517	3	2517			60	2 1/2"	63	18.0	45	-	6
TLP SPB 160-04 2517	4	2517			60	2 1/2"	82	18.5	45	18.5	3
TLP SPB 160-05 2517	5	2517			60	2 1/2"	101	28.0	45	28.0	3
TLP SPB 160-06 2517	6	2517			60	2 1/2"	120	-	45	75.0	2
TLP SPB 160-08 3020	8	3020			75	3"	158	51.5	51	53.5	3

SPB/XPB & B/BX section Pulleys

Product Code	Pitch Diameter (PD) (mm)	Outer Diameter (OD) (mm)	Number of grooves	Bush Number	Bush Max. Bore		F	K	L	M	Pulley Type		
					Metric (mm)	Imperial (Inches)							
TLP SPB 170-01 1610	170	177	1	1610	42	1 5/8"	25	-	25	-	1		
TLP SPB 170-02 2012			2	2012	50	2"	44	12.0	32	-	6		
TLP SPB 170-03 2517			3	2517	60	2 1/2"	63	18.0	45	-	6		
TLP SPB 170-04 2517			4	2517	60	2 1/2"	82	18.5	45	18.5	3		
TLP SPB 170-05 3020			5	3020	75	3"	101	28.0	51	25.0	3		
TLP SPB 170-06 3020			6	3020	75	3"	120	-	51	69.0	2		
TLP SPB 170-08 3030			8	3030	75	3"	158	41.0	76	41.0	3		
TLP SPB 180-01 1610			180	187	1	1610	42	1 5/8"	25	-	25	-	1
TLP SPB 180-02 2012	2	2012			50	2"	44	12.0	32	-	6		
TLP SPB 180-03 2517	3	2517			60	2 1/2"	63	18.0	45	-	6		
TLP SPB 180-04 2517	4	2517			60	2 1/2"	82	18.5	45	18.5	3		
TLP SPB 180-05 3020	5	3020			75	3"	101	25.0	51	25.0	3		
TLP SPB 180-06 3020	6	3020			75	3"	120	-	51	69.0	2		
TLP SPB 180-08 3030	8	3030			75	3"	158	41.0	76	41.0	3		
TLP SPB 190-01 2012	190	197			1	2012	50	2"	25	-	32	-	1
TLP SPB 190-02 2517			2	2517	60	2 1/2"	44	-	45	-	1		
TLP SPB 190-03 2517			3	2517	60	2 1/2"	63	18.0	45	-	6		
TLP SPB 190-04 2517			4	2517	60	2 1/2"	82	18.5	45	18.5	3		
TLP SPB 190-05 3020			5	3020	75	3"	101	28.0	51	25.0	3		
TLP SPB 190-06 3020			6	3020	75	3"	120	-	51	75.0	2		
TLP SPB 190-08 3030			8	3030	75	3"	158	41.0	76	41.0	3		
TLP SPB 200-01 2012			200	207	1	2012	50	2"	25	-	32	7.0	1
TLP SPB 200-02 2517	2	2517			60	2 1/2"	44	-	45	1.0	1		
TLP SPB 200-03 2517	3	2517			60	2 1/2"	63	-	45	18.0	2		
TLP SPB 200-04 3020	4	3020			75	3"	82	-	51	31.0	2		
TLP SPB 200-05 3020	5	3020			75	3"	101	-	51	50.0	2		
TLP SPB 200-06 3020	6	3020			75	3"	120	-	51	69.0	2		
TLP SPB 200-08 3535	8	3535			90	3 1/2"	158	34.5	89	34.5	3		
TLP SPB 212-01 2012	212	219			1	2012	50	2"	25	-	32	7.0	1
TLP SPB 212-02 2517			2	2517	60	2 1/2"	44	-	45	1.0	1		
TLP SPB 212-03 2517			3	2517	60	2 1/2"	63	-	45	18.0	2		
TLP SPB 212-04 3020			4	3020	75	3"	82	-	51	31.0	2		
TLP SPB 212-05 3020			5	3020	75	3"	101	-	51	50.0	2		
TLP SPB 212-06 3020			6	3020	75	3"	120	-	51	69.0	2		
TLP SPB 212-08 3535			8	3535	90	3 1/2"	158	34.5	89	34.5	3		
TLP SPB 224-01 2012			224	231	1	2012	50	2"	25	-	32	7.0	1
TLP SPB 224-02 2517	2	2517			60	2 1/2"	44	-	45	1.0	1		
TLP SPB 224-03 2517	3	2517			60	2 1/2"	63	-	45	18.0	2		
TLP SPB 224-04 3020	4	3020			75	3"	82	-	51	31.0	2		
TLP SPB 224-05 3020	5	3020			75	3"	101	-	51	50.0	2		
TLP SPB 224-06 3020	6	3020			75	3"	120	-	51	69.0	2		
TLP SPB 224-08 3535	8	3535			90	3 1/2"	158	34.5	89	34.5	3		
TLP SPB 224-10 3535	10	3535			90	3 1/2"	196	53.5	89	53.5	3		
TLP SPB 236-01 2012	236	243	1	2012	50	2"	25	-	32	7.0	1		
TLP SPB 236-02 2517			2	2517	60	2 1/2"	44	-	45	1.0	1		
TLP SPB 236-03 2517			3	2517	60	2 1/2"	63	-	45	18.0	2		
TLP SPB 236-04 3020			4	3020	75	3"	82	-	51	31.0	2		
TLP SPB 236-05 3020			5	3020	75	3"	101	-	51	50.0	2		
TLP SPB 236-06 3020			6	3020	75	3"	120	-	51	69.0	2		
TLP SPB 236-08 3535			8	3535	90	3 1/2"	158	34.5	89	34.5	3		
TLP SPB 236-10 3535			10	3535	90	3 1/2"	196	53.5	89	53.5	3		
TLP SPB 250-01 2012			250	257	1	2012	50	2"	25	-	32	7.0	1
TLP SPB 250-02 2517					2	2517	60	2 1/2"	44	-	45	-	8
TLP SPB 250-03 3020	3	3020			75	3"	63	-	51	12.0	2		
TLP SPB 250-04 3020	4	3020			75	3"	82	-	51	31.0	2		
TLP SPB 250-05 3020	5	3020			75	3"	101	-	51	50.0	2		
TLP SPB 250-06 3020	6	3020			75	3"	120	-	51	69.0	2		
TLP SPB 250-08 3535	8	3535			90	3 1/2"	158	34.5	89	34.5	3		
TLP SPB 250-10 3535	10	3535			90	3 1/2"	196	53.5	89	53.5	3		

SPB/XPB & B/BX section Pulleys

Product Code	Pitch Diameter (PD) (mm)	Outer Diameter (OD) (mm)	Number of grooves	Bush Number	Bush Max. Bore		F	K	L	M	Pulley Type		
					Metric (mm)	Imperial (Inches)							
TLP SPB 265-01 2012	265	272	1	2012	50	2"	25	-	32	7.0	1		
TLP SPB 265-02 2517			2	2517	60	2 1/2"	44	-	45	-	8		
TLP SPB 265-03 3020			3	3020	75	3"	63	6.0	51	6.0	7		
TLP SPB 265-04 3020			4	3020	75	3"	82	15.5	51	15.5	7		
TLP SPB 265-05 3535			5	3535	90	3 1/2"	101	6.0	89	6.0	7		
TLP SPB 265-06 3535			6	3535	90	3 1/2"	120	15.5	89	15.5	7		
TLP SPB 265-08 3535			8	3535	90	3 1/2"	158	34.5	89	34.5	7		
TLP SPB 265-10 3535			10	3535	90	3 1/2"	196	53.5	89	53.5	7		
TLP SPB 280-01 2012			280	287	1	2012	50	2"	25	-	32	7.0	1
TLP SPB 280-02 2517					2	2517	60	2 1/2"	44	-	45	-	8
TLP SPB 280-03 3020	3	3020			75	3"	63	6.0	51	6.0	7		
TLP SPB 280-04 3020	4	3020			75	3"	82	15.5	51	15.5	7		
TLP SPB 280-05 3535	5	3535			90	3 1/2"	101	6.0	89	6.0	7		
TLP SPB 280-06 3535	6	3535			90	3 1/2"	120	15.5	89	15.5	7		
TLP SPB 280-08 3535	8	3535			90	3 1/2"	158	34.5	89	34.5	7		
TLP SPB 280-10 3535	10	3535			90	3 1/2"	196	53.5	89	53.5	7		
TLP SPB 300-01 2012	300	307			1	2012	50	2"	25	-	32	7.0	1
TLP SPB 300-02 2517					2	2517	60	2 1/2"	44	-	45	-	8
TLP SPB 300-03 3020			3	3020	75	3"	63	6.0	51	6.0	7		
TLP SPB 300-04 3535			4	3535	90	3 1/2"	82	-	51	-	8		
TLP SPB 300-05 3535			5	3535	90	3 1/2"	101	6.0	89	6.0	7		
TLP SPB 300-06 3535			6	3535	90	3 1/2"	120	15.5	89	15.5	7		
TLP SPB 300-08 3535			8	3535	90	3 1/2"	158	34.5	89	34.5	7		
TLP SPB 300-10 3535			10	3535	90	3 1/2"	196	53.5	89	53.5	7		
TLP SPB 315-01 2012			315	322	1	2012	50	2"	25	-	32	7.0	1
TLP SPB 315-02 2517					2	2517	60	2 1/2"	44	-	45	-	8
TLP SPB 315-03 3020	3	3020			75	3"	63	6.0	51	6.0	7		
TLP SPB 315-04 3535	4	3535			90	3 1/2"	82	-	51	-	8		
TLP SPB 315-05 3535	5	3535			90	3 1/2"	101	6.0	89	6.0	7		
TLP SPB 315-06 3535	6	3535			90	3 1/2"	120	15.5	89	15.5	7		
TLP SPB 315-08 3535	8	3535			90	3 1/2"	158	34.5	89	35.0	7		
TLP SPB 315-10 3535	10	3535			90	3 1/2"	196	53.5	89	53.5	7		
TLP SPB 335-02 2517	335	342			2	2517	60	2 1/2"	44	-	45	1.0	1
TLP SPB 335-03 3020					3	3020	75	3"	63	6.0	51	6.0	7
TLP SPB 335-04 3535			4	3535	90	3 1/2"	82	-	51	-	8		
TLP SPB 335-05 3535			5	3535	90	3 1/2"	101	3.5	89	6.0	7		
TLP SPB 335-06 3535			6	3535	90	3 1/2"	120	15.5	89	15.5	7		
TLP SPB 335-08 3535			8	3535	90	3 1/2"	158	34.5	89	34.5	7		
TLP SPB 335-10 4040			10	4040	100	4"	196	53.5	89	47.0	7		
TLP SPB 355-02 3020			355	362	2	3020	75	3"	44	3.5	51	3.5	4
TLP SPB 355-03 3020					3	3020	75	3"	63	6.0	51	6.0	5
TLP SPB 355-04 3535					4	3535	90	3 1/2"	82	-	89	-	8
TLP SPB 355-05 3535	5	3535			90	3 1/2"	101	6.0	89	6.0	7		
TLP SPB 355-06 3535	6	3535			90	3 1/2"	120	15.5	89	15.5	7		
TLP SPB 355-08 3535	8	3535			90	3 1/2"	158	34.5	89	34.5	7		
TLP SPB 355-10 4040	10	4040			100	4"	196	47.0	102	47.0	7		
TLP SPB 375-02 3020	375	382			2	3020	75	3"	44	3.5	51	3.5	4
TLP SPB 375-03 3535					3	3535	90	3 1/2"	63	13.0	89	13.0	4
TLP SPB 375-04 3535					4	3535	90	3 1/2"	82	3.5	89	3.5	4
TLP SPB 375-05 3535			5	3535	90	3 1/2"	101	6.0	89	6.0	5		
TLP SPB 375-06 3535			6	3535	90	3 1/2"	120	15.5	89	15.5	5		
TLP SPB 375-08 4040			8	4040	100	4"	158	28.0	102	28.0	5		
TLP SPB 375-10 4040			10	4040	100	4"	196	47.0	102	47.0	5		
TLP SPB 400-02 3020			400	407	2	3020	75	3"	44	3.5	51	3.5	4
TLP SPB 400-03 3535					3	3535	90	3 1/2"	63	13.0	89	13.0	4
TLP SPB 400-04 3535					4	3535	90	3 1/2"	82	3.5	89	3.5	4
TLP SPB 400-05 3535	5	3535			90	3 1/2"	101	6.0	89	6.0	5		
TLP SPB 400-06 3535	6	3535			90	3 1/2"	120	15.5	89	15.5	5		
TLP SPB 400-08 4040	8	4040			100	4"	158	28.0	102	28.0	5		
TLP SPB 400-10 4040	10	4040			100	4"	196	47.0	102	47.0	5		

SPB/XPB & B/BX section Pulleys

Product Code	Pitch Diameter (PD) (mm)	Outer Diameter (OD) (mm)	Number of grooves	Bush Number	Bush Max. Bore		F	K	L	M	Pulley Type
					Metric (mm)	Imperial (Inches)					
TLP SPB 425-02 3020	425	432	2	3020	75	3"	44	3.5	51	3.5	4
TLP SPB 425-03 3535			3	3535	90	3 1/2"	63	13.0	89	13.0	4
TLP SPB 425-04 3535			4	3535	90	3 1/2"	82	3.5	89	3.5	4
TLP SPB 425-05 3535			5	3535	90	3 1/2"	101	6.0	89	6.0	5
TLP SPB 425-06 3535			6	3535	90	3 1/2"	120	15.5	89	15.5	5
TLP SPB 425-08 4040			8	4040	100	4"	158	28.0	102	28.0	5
TLP SPB 425-10 4040			10	4040	100	4"	196	47.0	102	47.0	5
TLP SPB 450-02 3020	450	457	2	3020	75	3"	44	3.5	51	3.5	4
TLP SPB 450-03 3535			3	3535	90	3 1/2"	63	13.0	89	13.0	4
TLP SPB 450-04 3535			4	3535	90	3 1/2"	82	3.5	89	3.5	4
TLP SPB 450-05 3535			5	3535	90	3 1/2"	101	6.0	89	6.0	5
TLP SPB 450-06 4040			6	4040	100	4"	120	9.0	102	9.0	5
TLP SPB 450-08 4545			8	4545	110	4 1/2"	158	22.0	114	22.0	5
TLP SPB 450-10 4545			10	4545	110	4 1/2"	196	41.0	114	41.0	5
TLP SPB 475-02 3020	475	482	2	3020	75	3"	44	3.5	51	3.5	4
TLP SPB 475-03 3535			3	3535	90	3 1/2"	63	13.0	89	13.0	4
TLP SPB 475-04 3535			4	3535	90	3 1/2"	82	3.5	89	3.5	4
TLP SPB 475-05 3535			5	3535	90	3 1/2"	101	6.0	89	6.0	5
TLP SPB 475-06 4040			6	4040	100	4"	120	9.0	102	9.0	5
TLP SPB 475-08 4545			8	4545	110	4 1/2"	158	22.0	114	22.0	5
TLP SPB 475-10 4545			10	4545	110	4 1/2"	196	41.0	114	41.0	5
TLP SPB 500-02 3020	500	507	2	3020	75	3"	44	3.5	51	3.5	4
TLP SPB 500-03 3535			3	3535	90	3 1/2"	63	13.0	89	13.0	4
TLP SPB 500-04 3535			4	3535	90	3 1/2"	82	3.5	89	3.5	4
TLP SPB 500-05 3535			5	3535	90	3 1/2"	101	6.0	89	6.0	5
TLP SPB 500-06 4040			6	4040	100	4"	120	9.0	102	9.0	5
TLP SPB 500-08 4545			8	4545	110	4 1/2"	158	22.0	114	22.0	5
TLP SPB 500-10 4545			10	4545	110	4 1/2"	196	41.0	114	41.0	5
TLP SPB 530-02 3020	530	537	2	3020	75	3"	44	3.5	51	3.5	4
TLP SPB 530-03 3535			3	3535	90	3 1/2"	63	13.0	89	13.0	4
TLP SPB 530-04 3535			4	3535	90	3 1/2"	82	3.5	89	3.5	4
TLP SPB 530-05 4040			5	4040	100	4"	101	0.5	102	0.5	4
TLP SPB 530-06 4040			6	4040	100	4"	120	9.0	102	9.0	5
TLP SPB 530-08 4545			8	4545	110	4 1/2"	158	22.0	114	22.0	5
TLP SPB 530-10 4545			10	4545	110	4 1/2"	196	41.0	114	41.0	5
TLP SPB 560-02 3020	560	567	2	3020	75	3"	44	3.5	51	3.5	4
TLP SPB 560-03 3535			3	3535	90	3 1/2"	63	13.0	89	13.0	4
TLP SPB 560-04 3535			4	3535	90	3 1/2"	82	3.5	89	3.5	4
TLP SPB 560-05 4040			5	4040	100	4"	101	0.5	102	0.5	4
TLP SPB 560-06 4040			6	4040	100	4"	120	9.0	102	9.0	5
TLP SPB 560-08 4545			8	4545	110	4 1/2"	158	22.0	114	22.0	5
TLP SPB 560-10 4545			10	4545	110	4 1/2"	196	41.0	114	41.0	5
TLP SPB 600-02 3020	600	607	2	3020	75	3"	44	3.5	51	3.5	4
TLP SPB 600-03 3535			3	3535	90	3 1/2"	63	13.0	89	13.0	4
TLP SPB 600-04 3535			4	3535	90	3 1/2"	82	3.5	89	3.5	4
TLP SPB 600-05 4040			5	4040	100	4"	101	0.5	102	0.5	4
TLP SPB 600-06 4040			6	4040	100	4"	120	9.0	102	9.0	5
TLP SPB 600-08 4545			8	4545	110	4 1/2"	158	22.0	114	22.0	5
TLP SPB 600-10 4545			10	4545	110	4 1/2"	196	41.0	114	41.0	5
TLP SPB 630-02 3030	630	637	2	3030	75	3"	44	16.0	76	16.0	4
TLP SPB 630-03 3535			3	3535	90	3 1/2"	63	13.0	89	13.0	4
TLP SPB 630-04 3535			4	3535	90	3 1/2"	82	3.5	89	3.5	4
TLP SPB 630-05 4040			5	4040	100	4"	101	0.5	102	0.5	4
TLP SPB 630-06 4040			6	4040	100	4"	120	9.0	102	9.0	5
TLP SPB 630-08 4545			8	4545	110	4 1/2"	158	22.0	114	22.0	5
TLP SPB 630-10 4545			10	4545	110	4 1/2"	196	41.0	114	41.0	5
TLP SPB 710-02 3030	710	717	2	3030	75	3"	44	16.0	76	16.0	4
TLP SPB 710-03 3535			3	3535	90	3 1/2"	63	13.0	89	13.0	4
TLP SPB 710-04 3535			4	3535	90	3 1/2"	82	3.5	89	3.5	4
TLP SPB 710-05 4040			5	4040	100	4"	101	0.5	102	0.5	4
TLP SPB 710-06 4545			6	4545	110	4 1/2"	120	3.0	114	3.0	5
TLP SPB 710-08 4545			8	4545	110	4 1/2"	158	22.0	114	22.0	5
TLP SPB 710-10 4545			10	4545	110	4 1/2"	196	41.0	114	41.0	5

SPB/XPB & B/BX section Pulleys

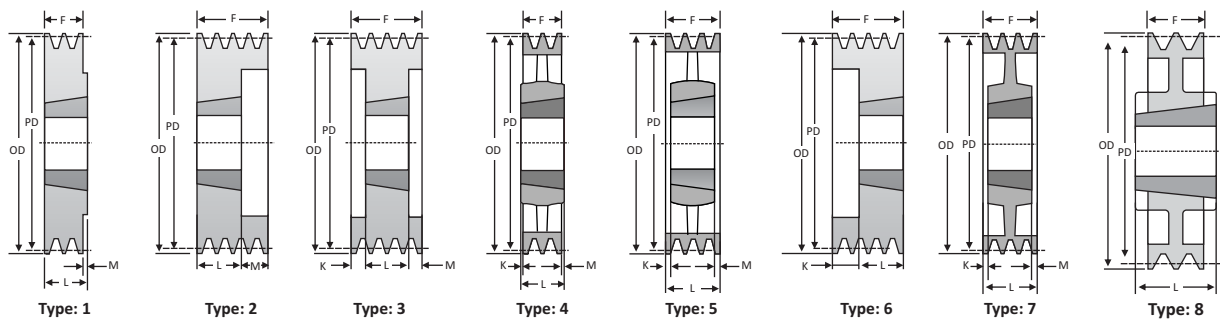
Product Code	Pitch Diameter (PD) (mm)	Outer Diameter (OD) (mm)	Number of grooves	Bush Number	Bush Max. Bore		F	K	L	M	Pulley Type
					Metric (mm)	Imperial (Inches)					
TLP SPB 762-02 3030	762	769	2	3030	75	3"	44	16.0	76	16.0	4
TLP SPB 762-03 3535			3	3535	90	3 1/2"	63	13.0	89	13.0	4
TLP SPB 762-04 4040			4	4040	100	4"	82	10.0	102	10.0	4
TLP SPB 762-05 4040			5	4040	100	4"	101	0.5	102	0.5	4
TLP SPB 762-06 4545			6	4545	110	4 1/2"	120	3.0	114	3.0	5
TLP SPB 762-08 4545			8	4545	110	4 1/2"	158	22.0	114	22.0	5
TLP SPB 762-10 4545			10	4545	110	4 1/2"	196	41.0	114	41.0	5
TLP SPB 800-02 3030	800	807	2	3030	75	3"	44	16.0	76	16.0	4
TLP SPB 800-03 3535			3	3535	90	3 1/2"	63	13.0	89	13.0	4
TLP SPB 800-04 4040			4	4040	100	4"	82	10.0	102	10.0	4
TLP SPB 800-05 4040			5	4040	100	4"	101	0.5	102	0.5	4
TLP SPB 800-06 4545			6	4545	110	4 1/2"	120	3.0	114	3.0	5
TLP SPB 800-08 4545			8	4545	110	4 1/2"	158	22.0	114	22.0	5
TLP SPB 800-10 4545			10	4545	110	4 1/2"	196	41.0	114	41.0	5
TLP SPB 900-03 3535	900	907	3	3535	90	3 1/2"	63	13.0	89	13.0	4
TLP SPB 900-04 4040			4	4040	100	4"	82	10.0	102	10.0	4
TLP SPB 900-05 4545			5	4545	110	4 1/2"	101	6.5	114	6.5	4
TLP SPB 900-06 4545			6	4545	110	4 1/2"	120	3.0	114	3.0	5
TLP SPB 900-08 4545			8	4545	110	4 1/2"	158	22.0	114	22.0	5
TLP SPB 900-10 5050			10	5050	125	5"	196	34.5	127	34.5	5
TLP SPB 1000-03 3535	1000	1007	3	3535	90	3 1/2"	50	-	89	-	4
TLP SPB 1000-04 4040			4	4040	100	4"	82	10.0	102	10.0	4
TLP SPB 1000-05 4545			5	4545	110	4 1/2"	101	6.5	114	6.5	4
TLP SPB 1000-06 4545			6	4545	110	4 1/2"	120	3.0	127	3.0	5
TLP SPB 1000-08 5050			8	5050	125	5"	158	15.5	127	15.5	5
TLP SPB 1000-10 5050			10	5050	125	5"	196	34.5	127	34.5	5
TLP SPB 1250-03 4040	1250	1257	3	4040	100	4"	63	19.5	102	19.5	4
TLP SPB 1250-04 4040			4	4040	100	4"	82	10.0	102	10.0	4
TLP SPB 1250-05 4545			5	4545	110	4 1/2"	101	6.5	114	6.5	4
TLP SPB 1250-06 5050			6	5050	125	5"	120	3.0	127	3.0	5
TLP SPB 1250-08 5050			8	5050	125	5"	158	15.5	127	15.5	5
TLP SPB 1250-10 5050			10	5050	125	5"	196	34.5	127	34.5	5

• Above 'Pulley Description' is for 'SPB' section Pulleys, replace 'SPB' with 'XPB, or 'B' or 'BX' to arrive at respective product code

• Please refer 'PIX recommended minimum pulley diameter' charts given on page no. 3

• Unlisted sizes are available on request

SPC/XPC & C/CX section Pulleys



Product Code	Pitch Diameter (PD) (mm)	Outer Diameter (OD) (mm)	Number of grooves	Bush Number	Bush Max. Bore		F	K	L	M	Pulley Type
					Metric (mm)	Imperial (Inches)					
TLP SPC 180-02 2517	180	189.6	2	2517	60.0	2 1/2"	60.0	-	45.0	14.5	2
TLP SPC 180-03 2517			3	2517	60.0	2 1/2"	85.0	20.0	45.0	20.0	3
TLP SPC 180-04 3020			4	3020	75.0	3"	111.0	30.0	51.0	-	3
TLP SPC 180-06 3020			6	3020	75.0	3"	162.0	55.5	51.0	-	3
TLP SPC 190-02 2517	190	199.6	2	2517	60.0	2 1/2"	60.0	-	45.0	14.5	2
TLP SPC 190-03 2517			3	2517	60.0	2 1/2"	85.0	20.0	45.0	20.0	3
TLP SPC 190-04 3020			4	3020	75.0	3"	111.0	30.0	51.0	-	3
TLP SPC 190-05 3020			5	3020	75.0	3"	136.0	42.5	51.0	-	3
TLP SPC 190-06 3020	6	3020	75.0	3"	162.0	55.5	51.0	-	3		
TLP SPC 200-03 2517	200	209.6	3	2517	60.0	2 1/2"	85.0	-	45.0	40.0	2
TLP SPC 200-04 3020			4	3020	75.0	3"	111.0	30.0	51.0	30.0	3
TLP SPC 200-05 3535			5	3535	90.0	3 1/2"	136.0	16.0	89.0	31.0	3
TLP SPC 200-06 3535			6	3535	90.0	3 1/2"	162.0	16.0	89.0	57.0	3
TLP SPC 200-07 3535			7	3535	90.0	3 1/2"	187.0	36.0	89.0	62.0	3
TLP SPC 200-08 3535			8	3535	90.0	3 1/2"	213.0	46.0	89.0	78.0	3
TLP SPC 212-03 3020	212	221.6	3	3020	75.0	3"	85.0	-	51.0	34.0	2
TLP SPC 212-04 3020			4	3020	75.0	3"	111.0	30.0	51.0	30.0	3
TLP SPC 212-05 3535			5	3535	90.0	3 1/2"	136.0	16.0	89.0	31.0	3
TLP SPC 212-06 3535			6	3535	90.0	3 1/2"	162.0	36.5	89.0	36.5	3
TLP SPC 212-07 3535			7	3535	90.0	3 1/2"	187.0	36.0	89.0	62.0	3
TLP SPC 212-08 3535			8	3535	90.0	3 1/2"	213.0	46.0	89.0	78.0	3
TLP SPC 224-03 3020	224	233.6	3	3020	75.0	3"	85.0	-	51.0	34.0	2
TLP SPC 224-04 3535			4	3535	90.0	3 1/2"	111.0	11.0	89.0	11.0	3
TLP SPC 224-05 3535			5	3535	90.0	3 1/2"	136.0	23.5	89.0	23.5	3
TLP SPC 224-06 3535			6	3535	90.0	3 1/2"	162.0	36.5	89.0	36.5	3
TLP SPC 224-07 3535			7	3535	90.0	3 1/2"	187.0	36.0	89.0	62.0	3
TLP SPC 224-08 3535			8	3535	90.0	3 1/2"	213.0	46.0	89.0	78.0	3
TLP SPC 236-03 3020	236	245.6	3	3020	75.0	3"	85.0	-	51.0	34.0	2
TLP SPC 236-04 3535			4	3535	90.0	3 1/2"	111.0	11.0	89.0	11.0	3
TLP SPC 236-05 3535			5	3535	90.0	3 1/2"	136.0	23.5	89.0	23.5	3
TLP SPC 236-06 3535			6	3535	90.0	3 1/2"	162.0	36.5	89.0	36.5	3
TLP SPC 236-07 3535			7	3535	90.0	3 1/2"	187.0	36.0	89.0	62.0	3
TLP SPC 236-08 3535			8	3535	90.0	3 1/2"	213.0	46.0	89.0	78.0	3
TLP SPC 250-03 3020	250	259.6	3	3020	75.0	3"	85.0	-	51.0	34.0	2
TLP SPC 250-04 3535			4	3535	90.0	3 1/2"	111.0	11.0	89.0	11.0	3
TLP SPC 250-05 3535			5	3535	90.0	3 1/2"	136.0	23.5	89.0	23.5	3
TLP SPC 250-06 3535			6	3535	90.0	3 1/2"	162.0	36.5	89.0	36.5	3
TLP SPC 250-07 3535			7	3535	90.0	3 1/2"	187.0	36.0	89.0	62.0	3
TLP SPC 250-08 3535			8	3535	90.0	3 1/2"	213.0	62.0	89.0	62.0	3
TLP SPC 250-10 4040	10	4040	100.0	4"	264.0	81.0	102.0	81.0	3		
TLP SPC 265-03 3535	265	274.6	3	3535	90.0	3 1/2"	89.0	2.0	85.0	2.0	7
TLP SPC 265-04 3535			4	3535	90.0	3 1/2"	111.0	11.0	89.0	11.0	3
TLP SPC 265-05 3535			5	3535	90.0	3 1/2"	136.0	23.5	89.0	23.5	3
TLP SPC 265-06 3535			6	3535	90.0	3 1/2"	162.0	36.5	89.0	36.5	3
TLP SPC 265-07 3535			7	3535	90.0	3 1/2"	187.0	36.0	89.0	62.0	3
TLP SPC 265-08 3535			8	3535	90.0	3 1/2"	213.0	62.0	89.0	62.0	3
TLP SPC 265-10 4040			10	4040	100.0	4"	264.0	81.0	102.0	81.0	3

SPC/XPC & C/CX section Pulleys

Product Code	Pitch Diameter (PD) (mm)	Outer Diameter (OD) (mm)	Number of grooves	Bush Number	Bush Max. Bore		F	K	L	M	Pulley Type
					Metric (mm)	Imperial (Inches)					
TLP SPC 280-03 3535	280	289.6	3	3535	90.0	3 1/2"	89.0	2.0	85.0	2.0	7
TLP SPC 280-04 3535			4	3535	90.0	3 1/2"	111.0	11.0	89.0	11.0	3
TLP SPC 280-05 3535			5	3535	90.0	3 1/2"	136.0	23.5	89.0	23.5	3
TLP SPC 280-06 3535			6	3535	90.0	3 1/2"	162.0	36.5	89.0	36.5	3
TLP SPC 280-07 3535			7	3535	90.0	3 1/2"	187.0	36.0	89.0	62.0	3
TLP SPC 280-08 3535			8	3535	90.0	3 1/2"	213.0	62.0	89.0	62.0	3
TLP SPC 280-10 4040			10	4040	100.0	4"	264.0	81.0	102.0	81.0	3
TLP SPC 300-03 3535			300	309.6	3	3535	90.0	3 1/2"	85.0	-	89.0
TLP SPC 300-04 3535	4	3535			90.0	3 1/2"	111.0	11.0	89.0	11.0	7
TLP SPC 300-05 3535	5	3535			90.0	3 1/2"	136.0	23.5	89.0	23.5	7
TLP SPC 300-06 3535	6	3535			90.0	3 1/2"	162.0	36.5	89.0	36.5	7
TLP SPC 300-07 3535	7	3535			90.0	3 1/2"	187.0	49.0	89.0	49.0	7
TLP SPC 300-08 4040	8	4040			100.0	4"	213.0	55.5	102.0	55.5	3
TLP SPC 300-10 4545	10	4545			110.0	4 1/2"	264.0	75.0	114.0	75.0	3
TLP SPC 315-03 3535	315	324.6			3	3535	90.0	3 1/2"	85.0	-	89.0
TLP SPC 315-04 3535			4	3535	90.0	3 1/2"	111.0	11.0	89.0	11.0	7
TLP SPC 315-05 3535			5	3535	90.0	3 1/2"	136.0	23.5	89.0	23.5	7
TLP SPC 315-06 3535			6	3535	90.0	3 1/2"	162.0	36.5	89.0	36.5	7
TLP SPC 315-07 3535			7	3535	90.0	3 1/2"	187.0	49.0	89.0	49.0	7
TLP SPC 315-08 4040			8	4040	100.0	4"	213.0	55.5	102.0	55.5	3
TLP SPC 315-10 4545			10	4545	110.0	4 1/2"	264.0	75.0	114.0	75.0	3
TLP SPC 335-03 3535			335	344.6	3	3535	90.0	3 1/2"	85.0	-	89.0
TLP SPC 335-04 3535	4	3535			90.0	3 1/2"	111.0	11.0	89.0	11.0	7
TLP SPC 335-05 3535	5	3535			90.0	3 1/2"	136.0	23.5	89.0	23.5	7
TLP SPC 335-06 3535	6	3535			90.0	3 1/2"	162.0	36.5	89.0	36.5	7
TLP SPC 335-07 3535	7	3535			90.0	3 1/2"	187.0	49.0	89.0	49.0	7
TLP SPC 335-08 4040	8	4040			100.0	4"	213.0	55.5	102.0	55.5	3
TLP SPC 335-10 4545	10	4545			110.0	4 1/2"	264.0	75.0	114.0	75.0	3
TLP SPC 355-03 3535	355	364.6			3	3535	90.0	3 1/2"	85.0	-	89.0
TLP SPC 355-04 3535			4	3535	90.0	3 1/2"	111.0	11.0	89.0	11.0	7
TLP SPC 355-05 3535			5	3535	90.0	3 1/2"	136.0	23.5	89.0	23.5	7
TLP SPC 355-06 3535			6	3535	90.0	3 1/2"	162.0	36.5	89.0	36.5	7
TLP SPC 355-07 4040			7	4040	100.0	4"	187.0	42.5	102.0	42.5	7
TLP SPC 355-08 4040			8	4040	100.0	4"	213.0	55.5	102.0	55.5	7
TLP SPC 355-10 4545			10	4545	110.0	4 1/2"	264.0	75.0	114.0	75.0	7
TLP SPC 375-03 3535			375	384.6	3	3535	90.0	3 1/2"	85.0	-	89.0
TLP SPC 375-04 3535	4	3535			90.0	3 1/2"	111.0	11.0	89.0	11.0	7
TLP SPC 375-05 3535	5	3535			90.0	3 1/2"	136.0	23.5	89.0	23.5	7
TLP SPC 375-06 4040	6	4040			100.0	4"	162.0	30.0	102.0	30.0	7
TLP SPC 375-07 4040	7	4040			100.0	4"	187.0	42.5	102.0	42.5	7
TLP SPC 375-08 4545	8	4545			110.0	4 1/2"	213.0	49.5	114.0	49.5	7
TLP SPC 375-10 4545	10	4545			110.0	4 1/2"	264.0	75.0	114.0	75.0	7
TLP SPC 400-03 3535	400	409.6			3	3535	90.0	3 1/2"	85.0	2.0	89.0
TLP SPC 400-04 3535			4	3535	90.0	3 1/2"	111.0	11.0	89.0	11.0	5
TLP SPC 400-05 3535			5	3535	90.0	3 1/2"	136.0	23.5	89.0	23.5	5
TLP SPC 400-06 4040			6	4040	100.0	4"	162.0	30.0	102.0	30.0	7
TLP SPC 400-07 4545			7	4545	110.0	4 1/2"	187.0	36.5	114.0	36.5	7
TLP SPC 400-08 4545			8	4545	110.0	4 1/2"	213.0	49.5	114.0	49.5	7
TLP SPC 400-10 5050			10	5050	125.0	5"	264.0	68.5	127.0	68.5	7
TLP SPC 425-03 3535			425	434.6	3	3535	90.0	3 1/2"	85.0	2.0	89.0
TLP SPC 425-04 3535	4	3535			90.0	3 1/2"	111.0	11.0	89.0	11.0	5
TLP SPC 425-05 4040	5	4040			100.0	4"	136.0	17.0	102.0	17.0	7
TLP SPC 425-06 4545	6	4545			110.0	4 1/2"	162.0	24.0	114.0	24.0	7
TLP SPC 425-07 4545	7	4545			110.0	4 1/2"	187.0	36.5	114.0	36.5	7
TLP SPC 425-08 5050	8	5050			125.0	5"	213.0	43.0	127.0	43.0	7
TLP SPC 425-10 5050	10	5050			125.0	5"	264.0	68.5	127.0	68.5	7

SPC/XPC & C/CX section Pulleys

Product Code	Pitch Diameter (PD) (mm)	Outer Diameter (OD) (mm)	Number of grooves	Bush Number	Bush Max. Bore		F	K	L	M	Pulley Type
					Metric (mm)	Imperial (Inches)					
TLP SPC 450-03 3535	450	459.6	3	3535	90.0	3 1/2"	85.0	2.0	89.0	2.0	4
TLP SPC 450-04 3535			4	3535	90.0	3 1/2"	111.0	11.0	89.0	11.0	5
TLP SPC 450-05 4040			5	4040	100.0	4"	136.0	17.0	102.0	17.0	5
TLP SPC 450-06 4545			6	4545	110.0	4 1/2"	162.0	24.0	114.0	24.0	7
TLP SPC 450-07 5050			7	5050	125.0	5"	187.0	30.0	127.0	30.0	7
TLP SPC 450-08 5050			8	5050	125.0	5"	213.0	43.0	127.0	43.0	7
TLP SPC 450-10 5050			10	5050	125.0	5"	264.0	68.5	127.0	68.5	7
TLP SPC 475-03 3535	475	484.6	3	3535	90.0	3 1/2"	85.0	2.0	89.0	2.0	4
TLP SPC 475-04 3535			4	3535	90.0	3 1/2"	111.0	11.0	89.0	11.0	5
TLP SPC 475-05 4040			5	4040	100.0	4"	136.0	17.0	102.0	17.0	5
TLP SPC 475-06 4545			6	4545	110.0	4 1/2"	162.0	24.0	114.0	24.0	7
TLP SPC 475-07 5050			7	5050	125.0	5"	187.0	30.0	127.0	30.0	7
TLP SPC 475-08 5050			8	5050	125.0	5"	213.0	43.0	127.0	43.0	7
TLP SPC 475-10 5050			10	5050	125.0	5"	264.0	68.5	127.0	68.5	7
TLP SPC 500-03 3535	500	509.6	3	3535	90.0	3 1/2"	85.0	2.0	89.0	2.0	4
TLP SPC 500-04 3535			4	3535	90.0	3 1/2"	111.0	11.0	89.0	11.0	5
TLP SPC 500-05 4040			5	4040	100.0	4"	136.0	17.0	102.0	17.0	5
TLP SPC 500-06 4545			6	4545	110.0	4 1/2"	162.0	24.0	114.0	24.0	5
TLP SPC 500-07 5050			7	5050	125.0	5"	187.0	30.0	127.0	30.0	7
TLP SPC 500-08 5050			8	5050	125.0	5"	213.0	43.0	127.0	43.0	7
TLP SPC 500-10 5050			10	5050	125.0	5"	264.0	68.5	127.0	68.5	7
TLP SPC 530-03 3535	530	539.6	3	3535	90.0	3 1/2"	85.0	2.0	89.0	2.0	4
TLP SPC 530-04 4040			4	4040	100.0	4"	111.0	4.5	102.0	4.5	5
TLP SPC 530-05 4545			5	4545	110.0	4 1/2"	136.0	11.0	114.0	11.0	5
TLP SPC 530-06 5050			6	5050	125.0	5"	162.0	17.5	127.0	17.5	5
TLP SPC 530-07 5050			7	5050	125.0	5"	187.0	30.0	127.0	30.0	7
TLP SPC 530-08 5050			8	5050	125.0	5"	213.0	43.0	127.0	43.0	7
TLP SPC 530-10 5050			10	5050	125.0	5"	264.0	68.5	127.0	68.5	7
TLP SPC 560-03 3535	560	569.6	3	3535	90.0	3 1/2"	85.0	-	89.0	-	8
TLP SPC 560-04 4040			4	4040	100.0	4"	111.0	4.5	102.0	4.5	5
TLP SPC 560-05 4545			5	4545	110.0	4 1/2"	136.0	11.0	114.0	11.0	5
TLP SPC 560-06 5050			6	5050	125.0	5"	162.0	17.5	127.0	17.5	5
TLP SPC 560-07 5050			7	5050	125.0	5"	187.0	30.0	127.0	30.0	5
TLP SPC 560-08 5050			8	5050	125.0	5"	213.0	43.0	127.0	43.0	5
TLP SPC 560-10 5050			10	5050	125.0	5"	264.0	68.5	127.0	68.5	5
TLP SPC 600-03 4040	600	609.6	3	4040	100.0	4"	85.0	-	102.0	-	8
TLP SPC 600-04 4545			4	4545	110.0	4 1/2"	111.0	1.5	114.0	1.5	4
TLP SPC 600-05 4545			5	4545	110.0	4 1/2"	136.0	4.5	114.0	4.5	4
TLP SPC 600-06 5050			6	5050	125.0	5"	162.0	17.5	127.0	17.5	5
TLP SPC 600-07 5050			7	5050	125.0	5"	187.0	30.0	127.0	30.0	5
TLP SPC 600-08 5050			8	5050	125.0	5"	213.0	43.0	127.0	43.0	5
TLP SPC 600-10 5050			10	5050	125.0	5"	264.0	68.5	127.0	68.5	5
TLP SPC 630-03 4545	630	639.6	3	4545	110.0	4 1/2"	85.0	14.5	114.0	14.5	4
TLP SPC 630-04 4545			4	4545	110.0	4 1/2"	111.0	1.5	114.0	1.5	4
TLP SPC 630-05 5050			5	5050	125.0	5"	136.0	4.5	127.0	4.5	5
TLP SPC 630-06 5050			6	5050	125.0	5"	162.0	17.5	127.0	17.5	5
TLP SPC 630-07 5050			7	5050	125.0	5"	187.0	30.0	127.0	30.0	5
TLP SPC 630-08 5050			8	5050	125.0	5"	213.0	43.0	127.0	43.0	5
TLP SPC 630-10 5050			10	5050	125.0	5"	264.0	68.5	127.0	68.5	5
TLP SPC 710-03 4545	710	719.6	3	4545	110.0	4 1/2"	85.0	14.5	114.0	14.5	4
TLP SPC 710-04 4545			4	4545	110.0	4 1/2"	111.0	1.5	114.0	1.5	4
TLP SPC 710-05 5050			5	5050	125.0	5"	136.0	4.5	127.0	4.5	5
TLP SPC 710-06 5050			6	5050	125.0	5"	162.0	17.5	127.0	17.5	5
TLP SPC 710-07 5050			7	5050	125.0	5"	187.0	30.0	127.0	30.0	5
TLP SPC 710-08 5050			8	5050	125.0	5"	213.0	43.0	127.0	43.0	5
TLP SPC 710-10 5050			10	5050	125.0	5"	264.0	68.5	127.0	68.5	5

SPC/XPC & C/CX section Pulleys

Product Code	Pitch Diameter (PD) (mm)	Outer Diameter (OD) (mm)	Number of grooves	Bush Number	Bush Max. Bore		F	K	L	M	Pulley Type		
					Metric (mm)	Imperial (Inches)							
TLP SPC 800-03 5050	800	809.6	3	5050	125.0	5"	85.0	2.0	89.0	2.5	4		
TLP SPC 800-04 5050			4	5050	125.0	5"	102.0	4.5	111.0	4.5	4		
TLP SPC 800-05 5050			5	5050	125.0	5"	136.0	17.0	102.0	17.0	5		
TLP SPC 800-06 5050			6	5050	125.0	5"	162.0	17.5	127.0	17.5	5		
TLP SPC 800-07 5050			7	5050	125.0	5"	187.0	30.0	127.0	30.0	5		
TLP SPC 800-08 5050			8	5050	125.0	5"	213.0	43.0	127.0	43.0	5		
TLP SPC 1000-03 5050			1000	1009.6	3	5050	125.0	5"	85.0	8.5	102.0	8.5	4
TLP SPC 1000-04 5050					4	5050	125.0	5"	111.0	8.0	127.0	8.0	4
TLP SPC 1000-05 5050	5	5050			125.0	5"	136.0	4.5	127.0	4.5	5		
TLP SPC 1000-06 5050	6	5050			125.0	5"	162.0	17.5	127.0	17.5	5		
TLP SPC 1000-07 5050	7	5050			125.0	5"	187.0	30.0	127.0	30.0	5		
TLP SPC 1000-08 5050	8	5050			125.0	5"	213.0	43.0	127.0	43.0	5		
TLP SPC 1250-03 5050	1250	1259.6	3	5050	125.0	5"	85.0	8.5	102.0	8.5	4		
TLP SPC 1250-04 5050			4	5050	125.0	5"	111.0	4.5	127.0	4.5	4		
TLP SPC 1250-05 5050			5	5050	125.0	5"	136.0	17.5	127.0	17.5	5		
TLP SPC 1250-06 5050			6	5050	125.0	5"	162.0	30.0	127.0	30.0	5		
TLP SPC 1250-07 5050			7	5050	125.0	5"	187.0	43.0	127.0	43.0	5		
TLP SPC 1250-08 5050			8	5050	125.0	5"	213.0	43.0	127.0	43.0	5		

- Above 'Pulley Description' is for 'SPC' section Pulleys, replace 'SPC' with 'XPC' or 'C' or 'CX' to arrive at respective product code
- Please refer 'PIX recommended minimum pulley diameter' charts given on page no. 3
- Unlisted sizes are available on request

V-Belt Pulleys with SIP* Bore



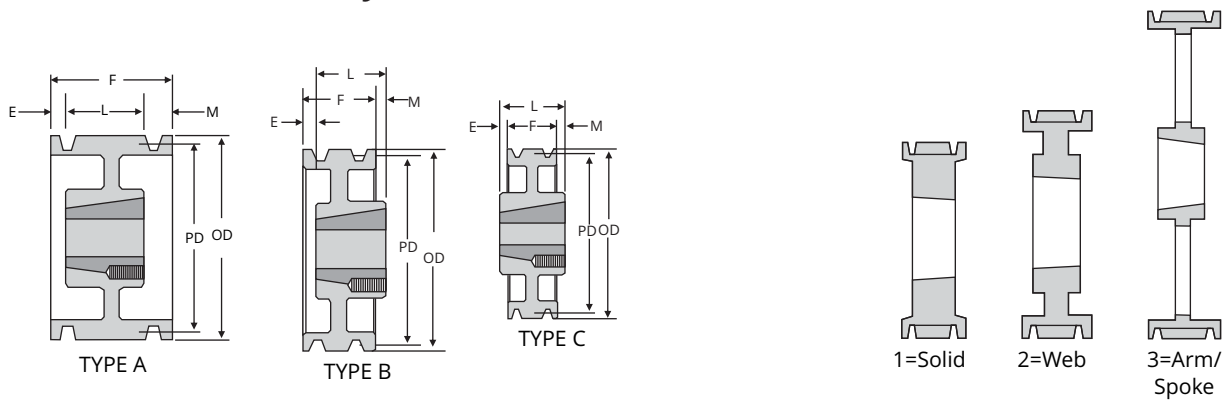
SIP*: Standard imperial Pulley

Standard Imperial Pulleys are generally required in case of non standard shaft diameters. Pilot bore Pulleys require back-reaming or enlarging bore diameter to suit to the shaft diameter.

PIX-PowerWare®-Standard Imperial Pulleys are available in standard A, B & C sections, Poly-V & Timing sections.

They can also be supplied as per customer's specific requirements. They are made of superior material with consistent quality and surface finish. Adequate surface treatment is done to avoid rusting and corrosion to improve the appearance & wear resistance.

3V & 3VX Section Pulleys



Product Code	Pitch Diameter (PD) (inches)	Outer Diameter (OD) (inches)	No. of grooves	Bush Number	Bush Max. Bore		E	L	M	F	Pulley Type
					Imperial (Inches)	Metric (mm)					
TLP 3V 265-01 1108	2.60	2.65	1	1108	1-1/8	28.0	3/16	11/16	-	7/8	A-1
TLP 3V 265-02 1108			2	1108	1-1/8	28.0	7/32	7/8	-	1-3/32	A-1
TLP 3V 265-03 1108			3	1108	1-1/8	28.0	5/8	7/8	-	1-1/2	A-1
TLP 3V 265-04 1108			4	1108	1-1/8	28.0	1-1/32	7/8	-	1-29/32	A-1
TLP 3V 280-01 1108	2.75	2.80	1	1108	1-1/8	28.0	3/16	11/16	-	7/8	A-1
TLP 3V 280-02 1108			2	1108	1-1/8	28.0	7/32	7/8	-	1-3/32	A-1
TLP 3V 280-03 1108			3	1108	1-1/8	28.0	5/8	7/8	-	1-1/2	A-1
TLP 3V 280-04 1108			4	1108	1-1/8	28.0	1-1/32	7/8	-	1-29/32	A-1
TLP 3V 300-01 1108	2.95	3.00	1	1108	1-1/8	28.0	3/16	11/16	-	7/8	A-1
TLP 3V 300-02 1210			2	1210	1-1/4	32.0	3/32	1	-	1-3/32	A-1
TLP 3V 300-03 1210			3	1210	1-1/4	32.0	1/2	1	-	1-1/2	A-1
TLP 3V 300-04 1210			4	1210	1-1/4	32.0	29/32	1	-	1-29/32	A-1
TLP 3V 315-01 1108	3.10	3.15	1	1108	1-1/8	28.0	3/16	11/16	-	7/8	A-1
TLP 3V 315-02 1210			2	1210	1-1/4	32.0	3/32	1	-	1-3/32	A-1
TLP 3V 315-03 1210			3	1210	1-1/4	32.0	1/2	1	-	1-1/2	A-1
TLP 3V 315-04 1210			4	1210	1-1/4	32.0	29/32	1	-	1-29/32	A-1
TLP 3V 335-01 1610	3.30	3.35	1	1610	1-5/8	42.0	5/16	1	-	11/16	A-1
TLP 3V 335-02 1610			2	1610	1-5/8	42.0	3/32	1	-	1-3/32	A-1
TLP 3V 335-03 1610			3	1610	1-5/8	42.0	1/2	1	-	1-1/2	A-1
TLP 3V 335-04 1610			4	1610	1-5/8	42.0	29/32	1	-	1-29/32	A-1
TLP 3V 365-01 1610	3.60	3.65	1	1610	1-5/8	42.0	5/16	1	-	11/16	A-1
TLP 3V 365-02 1610			2	1610	1-5/8	42.0	3/32	1	-	1-3/32	A-1
TLP 3V 365-03 1610			3	1610	1-5/8	42.0	1/2	1	-	1-1/2	A-1
TLP 3V 365-04 1610			4	1610	1-5/8	42.0	29/32	1	-	1-29/32	A-1
TLP 3V 412-01 1610	4.07	4.12	1	1610	1-5/8	42.0	-	11/16	5/16	1	B-1
TLP 3V 412-02 1610			2	1610	1-5/8	42.0	3/32	1	-	1-3/32	A-1
TLP 3V 412-03 1610			3	1610	1-5/8	42.0	1/2	1	-	1-1/2	A-1
TLP 3V 412-04 1610			4	1610	1-5/8	42.0	29/32	1	-	1-29/32	A-1
TLP 3V 450-01 1610	4.45	4.50	1	1610	1-5/8	42.0	-	11/16	5/16	1	B-1
TLP 3V 450-02 1610			2	1610	1-5/8	42.0	3/32	1	-	1-3/32	A-1
TLP 3V 450-03 1610			3	1610	1-5/8	42.0	1/2	1	-	1-1/2	A-1
TLP 3V 450-04 1610			4	1610	1-5/8	42.0	29/32	1	-	1-29/32	A-1
TLP 3V 450-05 1615			5	1615	1-5/8	42.0	-	1-1/2	13/16	2-5/16	A-1
TLP 3V 475-01 1610	4.70	4.75	1	1610	1-5/8	42.0	-	11/16	5/16	1	B-1
TLP 3V 475-02 1610			2	1610	1-5/8	42.0	3/32	1	-	1-3/32	A-1
TLP 3V 475-03 1610			3	1610	1-5/8	42.0	1/2	1	-	1-1/2	A-1
TLP 3V 475-04 1610			4	1610	1-5/8	42.0	29/32	1	-	1-29/32	A-1
TLP 3V 475-05 2517			5	2517	2-1/2	60.0	9/16	1-3/4	-	2-5/16	A-1
TLP 3V 475-06 2517			6	2517	2-1/2	60.0	31/32	1-3/4	-	2-23/32	A-1
TLP 3V 475-08 2517			8	2517	2-1/2	60.0	1-25/32	1-3/4	-	3-17/32	A-1
TLP 3V 475-10 2517			10	2517	2-1/2	60.0	2-29/32	1-3/4	-	4-11/32	A-1

• Unlisted sizes are available on request.

3V & 3VX Section Pulleys

Product Code	Pitch Diameter (PD) (inches)	Outer Diameter (OD) (inches)	No. of grooves	Bush Number	Bush Max. Bore		E	L	M	F	Pulley Type		
					Imperial (Inches)	Metric (mm)							
TLP 3V 500-01 1610	4.95	5.00	1	1610	1-5/8	42.0	-	11/16	5/16	1	B-1		
TLP 3V 500-02 1610			2	1610	1-5/8	42.0	3/32	1	-	1-3/32	A-1		
TLP 3V 500-03 1610			3	1610	1-5/8	42.0	1/2	1	-	1-1/2	A-1		
TLP 3V 500-04 1610			4	1610	1-5/8	42.0	29/32	1	-	1-29/32	A-1		
TLP 3V 500-05 2517			5	2517	2-1/2	60.0	9/16	1-3/4	-	2-5/16	A-1		
TLP 3V 500-06 2517			6	2517	2-1/2	60.0	31/32	1-3/4	-	2-23/32	A-1		
TLP 3V 500-08 2517			8	2517	2-1/2	60.0	1-25/32	1-3/4	-	3-17/32	A-1		
TLP 3V 500-10 2517			10	2517	2-1/2	60.0	2-29/32	1-3/4	-	4-11/32	A-1		
TLP 3V 530-01 1610			5.25	5.30	1	1610	1-5/8	42.0	-	11/16	5/16	1	B-1
TLP 3V 530-02 1610					2	1610	1-5/8	42.0	3/32	1	-	1-3/32	A-1
TLP 3V 530-03 1610	3	1610			1-5/8	42.0	1/2	1	-	1-1/2	A-1		
TLP 3V 530-04 1610	4	1610			1-5/8	42.0	29/32	1	-	1-29/32	A-1		
TLP 3V 530-05 2517	5	2517			2-1/2	60.0	9/16	1-3/4	-	2-5/16	A-1		
TLP 3V 530-06 2517	6	2517			2-1/2	60.0	31/32	1-3/4	-	2-23/32	A-1		
TLP 3V 530-08 2517	8	2517			2-1/2	60.0	1-1/32	1-3/4	3/4	3-17/32	A-1		
TLP 3V 530-10 2517	10	2517			2-1/2	60.0	1-27/32	1-3/4	3/4	4-11/32	A-1		
TLP 3V 560-01 1610	5.55	5.60			1	1610	1-5/8	42.0	-	11/16	5/16	1	B-1
TLP 3V 560-02 1610					2	1610	1-5/8	42.0	3/32	1	-	1-3/32	A-1
TLP 3V 560-03 1610			3	1610	1-5/8	42.0	1/2	1	-	1-1/2	A-1		
TLP 3V 560-04 1610			4	1610	1-5/8	42.0	29/32	1	-	1-29/32	A-1		
TLP 3V 560-05 2517			5	2517	2-1/2	60.0	9/16	1-3/4	-	2-5/16	A-1		
TLP 3V 560-06 2517			6	2517	2-1/2	60.0	31/32	1-3/4	-	2-23/32	A-1		
TLP 3V 560-08 2517			8	2517	2-1/2	60.0	1/4	1-3/4	1-17/32	3-17/32	A-1		
TLP 3V 560-10 2517			10	2517	2-1/2	60.0	1/2	1-3/4	2-3/32	4-11/32	A-1		
TLP 3V 600-01 1610			5.95	6.00	1	1610	1-5/8	42.0	-	11/16	5/16	1	B-1
TLP 3V 600-02 1610					2	1610	1-5/8	42.0	3/32	1	-	1-3/32	A-1
TLP 3V 600-03 2517	3	2517			2-1/2	60.0	5/32	1-3/4	13/32	1-1/2	B-1		
TLP 3V 600-04 2517	4	2517			2-1/2	60.0	5/32	1-3/4	-	1-29/32	A-1		
TLP 3V 600-05 2517	5	2517			2-1/2	60.0	9/16	1-3/4	-	2-5/16	A-1		
TLP 3V 600-06 2517	6	2517			2-1/2	60.0	31/32	1-3/4	-	2-23/32	A-1		
TLP 3V 600-08 2517	8	2517			2-1/2	60.0	1/4	1-3/4	1-17/32	3-17/32	A-1		
TLP 3V 600-10 2517	10	2517			2-1/2	60.0	1/2	1-3/4	2-3/32	4-11/32	A-1		
TLP 3V 650-01 1610	6.45	6.50			1	1610	1-5/8	42.0	-	11/16	5/16	1	B-1
TLP 3V 650-02 1610					2	1610	1-5/8	42.0	3/32	1	-	1-3/32	A-1
TLP 3V 650-03 2517			3	2517	2-1/2	60.0	5/32	1-1/2	13/32	1-3/4	B-1		
TLP 3V 650-04 2517			4	2517	2-1/2	60.0	5/32	1-3/4	-	1-29/32	A-1		
TLP 3V 650-05 2517			5	2517	2-1/2	60.0	9/16	1-3/4	-	2-5/16	A-1		
TLP 3V 650-06 2517			6	2517	2-1/2	60.0	31/32	1-3/4	-	2-23/32	A-1		
TLP 3V 650-08 2517			8	2517	2-1/2	60.0	1/4	1-3/4	1-17/32	3-17/32	A-1		
TLP 3V 650-10 2517			10	2517	2-1/2	60.0	1/2	1-3/4	2-3/32	4-11/32	A-1		
TLP 3V 690-01 1610			6.85	6.90	1	1610	1-5/8	42.0	-	11/16	5/16	1	B-1
TLP 3V 690-02 1610					2	1610	1-5/8	42.0	3/32	1	-	1-3/32	A-1
TLP 3V 690-03 2517	3	2517			2-1/2	60.0	5/32	1-1/2	13/32	1-3/4	B-1		
TLP 3V 690-04 2517	4	2517			2-1/2	60.0	5/32	1-3/4	-	1-29/32	A-1		
TLP 3V 690-05 2517	5	2517			2-1/2	60.0	9/16	1-3/4	-	2-5/16	A-1		
TLP 3V 690-06 2517	6	2517			2-1/2	60.0	31/32	1-3/4	-	2-23/32	A-1		
TLP 3V 690-08 2517	8	2517			2-1/2	60.0	1/4	1-3/4	1-17/32	3-17/32	A-1		
TLP 3V 690-10 2517	10	2517			2-1/2	60.0	1/2	1-3/4	2-3/32	4-11/32	A-1		
TLP 3V 800-01 2517	7.95	8.00			1	2517	2-1/2	60.0	-	1-1/16	11/16	1-3/4	B-2
TLP 3V 800-02 2517					2	2517	2-1/2	60.0	-	1-3/32	21/32	1-3/4	B-2
TLP 3V 800-03 2517			3	2517	2-1/2	60.0	5/32	1-1/2	13/32	1-3/4	B-1		
TLP 3V 800-04 2517			4	2517	2-1/2	60.0	5/32	1-3/4	-	1-29/32	A-1		
TLP 3V 800-05 2517			5	2517	2-1/2	60.0	9/16	1-3/4	-	2-5/16	A-1		
TLP 3V 800-06 2517			6	2517	2-1/2	60.0	31/32	1-3/4	-	2-23/32	A-1		
TLP 3V 800-08 3020			8	3020	3	75.0	1/2	2	1-1/32	3-17/32	A-1		
TLP 3V 800-10 3020			10	3020	3	75.0	1/4	2	2-3/32	4-11/32	A-1		

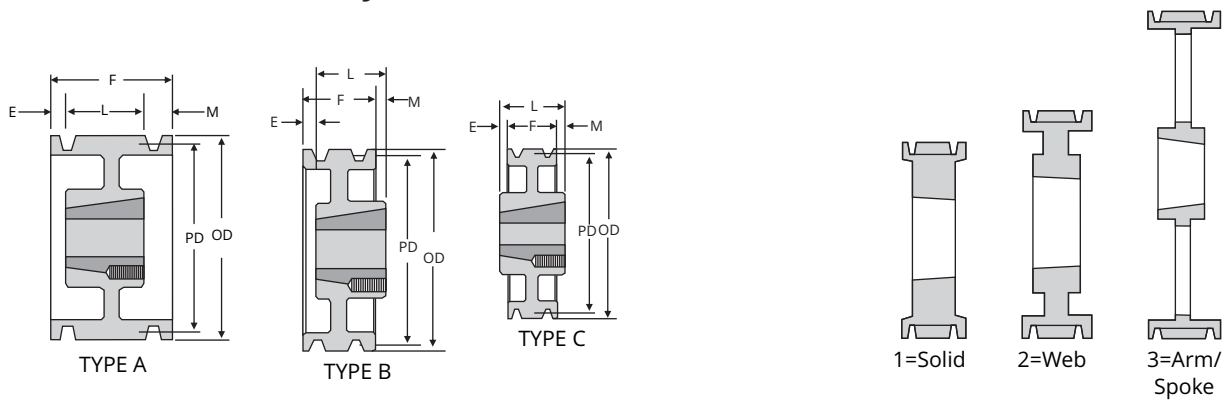
• Unlisted sizes are available on request.

3V & 3VX Section Pulleys

Product Code	Pitch Diameter (PD) (inches)	Outer Diameter (OD) (inches)	No. of grooves	Bush Number	Bush Max. Bore		E	L	M	F	Pulley Type		
					Imperial (Inches)	Metric (mm)							
TLP 3V 1060-01 2517	10.55	10.60	1	2517	2-1/2	60.0	-	1-1/16	11/16	1-3/4	B-2		
TLP 3V 1060-02 2517			2	2517	2-1/2	60.0	-	1-3/32	21/32	1-3/4	B-2		
TLP 3V 1060-03 2517			3	2517	2-1/2	60.0	-	1-1/2	1/4	1-3/4	B-2		
TLP 3V 1060-04 2517			4	2517	2-1/2	60.0	5/32	1-3/4	-	1-29/32	A-2		
TLP 3V 1060-05 2517			5	2517	2-1/2	60.0	9/16	1-3/4	-	2-5/16	A-2		
TLP 3V 1060-06 2517			6	2517	2-1/2	60.0	31/32	1-3/4	-	2-23/32	A-2		
TLP 3V 1060-08 3020			8	3020	3	75.0	1/2	2	1-1/32	3-17/32	A-2		
TLP 3V 1060-10 3020			10	3020	3	75.0	27/32	2	1-1/2	4-11/32	A-2		
TLP 3V 1400-01 2517			13.95	14.00	1	2517	2-1/2	60.0	-	15/16	13/16	1-3/4	B-3
TLP 3V 1400-02 2517					2	2517	2-1/2	60.0	-	1-3/32	21/32	1-3/4	B-3
TLP 3V 1400-03 2517	3	2517			2-1/2	60.0	-	1-1/2	1/4	1-3/4	B-3		
TLP 3V 1400-04 2517	4	2517			2-1/2	60.0	-	1-3/4	5/32	1-29/32	A-3		
TLP 3V 1400-05 2517	5	2517			2-1/2	60.0	-	1-3/4	9/16	2-5/16	A-3		
TLP 3V 1400-06 2517	6	2517			2-1/2	60.0	31/32	1-3/4	-	2-23/32	A-3		
TLP 3V 1400-08 3020	8	3020			3	75.0	21/32	2	7/8	3-17/32	A-3		
TLP 3V 1400-10 3535	10	3535			3-1/2	90.0	-	3-1/2	27/32	4-11/32	A-2		
TLP 3V 1900-01 3020	18.95	19.00			1	3020	3	75.0	-	13/16	1-3/16	2	B-3
TLP 3V 1900-02 3020					2	3020	3	75.0	-	1-3/32	29/32	2	B-3
TLP 3V 1900-03 3020			3	3020	3	75.0	-	1-1/2	1/2	2	B-3		
TLP 3V 1900-04 3020			4	3020	3	75.0	-	2	3/32	1-29/32	C-3		
TLP 3V 1900-05 3020			5	3020	3	75.0	-	2	5/16	2-5/16	A-3		
TLP 3V 1900-06 3020			6	3020	3	75.0	-	2	23/32	2-23/32	A-3		
TLP 3V 1900-08 3535			8	3535	3-1/2	90.0	-	3-1/2	1/32	3-17/32	A-3		
TLP 3V 1900-10 3535			10	3535	3-1/2	90.0	-	3-1/2	27/32	4-11/32	A-3		
TLP 3V 2500-02 3020			24.95	25.00	2	3020	3	75.0	1/8	2	25/32	1-3/32	C-3
TLP 3V 2500-03 3020					3	3020	3	75.0	-	2	1/2	1-1/2	B-3
TLP 3V 2500-04 3020	4	3020			3	75.0	-	2	3/32	1-29/32	C-3		
TLP 3V 2500-05 3030	5	3030			3	75.0	-	3	11/16	2-5/16	B-3		
TLP 3V 2500-06 3030	6	3030			3	75.0	-	3	9/32	2-23/32	B-3		
TLP 3V 2500-08 3535	8	3535			3-1/2	90.0	-	3-1/2	1/32	3-17/32	A-3		
TLP 3V 2500-10 4040	10	4040			4	100.0	-	4	11/32	4-11/32	A-3		
TLP 3V 3350-03 3020	33.45	33.50			3	3020	3	75.0	1/4	2	1/4	1-1/2	B-3
TLP 3V 3350-04 3030					4	3030	3	75.0	35/64	3	35/64	1-29/32	C-3
TLP 3V 3350-05 3030					5	3030	3	75.0	11/32	3	11/32	2-5/16	C-3
TLP 3V 3350-06 3030			6	3030	3	75.0	9/64	3	9/64	2-23/32	C-3		
TLP 3V 3350-08 4040			8	4040	4	100.0	15/64	4	15/64	3-17/32	C-3		
TLP 3V 3350-10 4040			10	4040	4	100.0	-	4	11/32	4-11/32	A-3		

- Above 'Pulley Description' is for '3V' section Pulleys, replace '3V' with 3VX to arrive at respective product code
- Please refer 'PIX recommended minimum pulley diameter' charts given on page no. 3
- Unlisted sizes are available on request

5V & 5VX Section Pulleys



Product Code	Pitch Diameter (PD) (inches)	Outer Diameter (OD) (inches)	No. of grooves	Bush Number	Bush Max. Bore		E	L	M	F	Pulley Type		
					Imperial (Inches)	Metric (mm)							
TLP 5V 440-02 1610	4.3	4.4	2	1610	1-5/8	42.0	1/16	1	5/8	1-11/16	A-1		
TLP 5V 440-03 1610			3	-	-	-	1-3/8	-	-	2-3/8	-		
TLP 5V 440-04 1610			4	-	-	-	2-1/16	-	-	3-1/16	-		
TLP 5V 465-02 1610	4.55	4.65	2	1610	1-5/8	42.0	1/16	1	5/8	1-11/16	A-1		
TLP 5V 465-03 1610			3	-	-	-	1/16	-	1-5/16	2-3/8	-		
TLP 5V 465-04 1610			4	-	-	-	2-1/16	-	-	3-1/16	-		
TLP 5V 490-02 1610	4.80	4.90	2	1610	1-5/8	42.0	1/16	1	5/8	1-11/16	A-1		
TLP 5V 490-03 1610			3	-	-	-	1/16	-	1-5/16	2-3/8	-		
TLP 5V 490-04 1610			4	-	-	-	2-1/16	-	-	3-1/16	-		
TLP 5V 520-02 1610	5.10	5.20	2	1610	1-5/8	42.0	1/16	1	5/8	1-11/16	A-1		
TLP 5V 520-03 1610			3	-	-	-	1/16	-	1-5/16	2-3/8	-		
TLP 5V 520-04 2517			4	-	-	-	2-1/16	-	-	3-1/16	-		
TLP 5V 550-02 1610	5.40	5.50	2	1610	2-1/2	60.0	1/16	1	5/8	1-11/16	A-1		
TLP 5V 550-03 1610			3	1610	-	-	1/16	1	1-5/16	2-3/8	-		
TLP 5V 550-04 2517			4	2517	-	-	1-5/16	1-3/4	-	3-1/16	-		
TLP 5V 590-02 1610	5.80	5.90	2	1610	1-5/8	42.0	1/16	1	5/8	1-11/16	A-1		
TLP 5V 590-03 2517			3	2517	2-1/2	60.0	-	1-3/4	5/8	2-3/8	-		
TLP 5V 590-04 2517			4	2517	2-1/2	60.0	1-5/16	1-3/4	-	3-1/16	-		
TLP 5V 590-05 2517			5	2517	2-1/2	60.0	9/16	1-3/4	1-7/16	3-3/4	-		
TLP 5V 590-06 2517			6	2517	2-1/2	60.0	1-1/8	1-3/4	1-9/16	4-7/16	-		
TLP 5V 630-02 1610			6.20	6.30	2	1610	1-5/8	42.0	-	1	11/16	1-11/16	A-1
TLP 5V 630-03 2517	3	2517			2-1/2	60.0	-	1-3/4	5/8	2-3/8	-		
TLP 5V 630-04 2517	4	2517			2-1/2	60.0	-	1-3/4	1-5/16	3-1/16	-		
TLP 5V 630-05 2517	5	2517			2-1/2	60.0	9/16	1-3/4	1-7/16	3-3/4	-		
TLP 5V 630-06 2517	6	2517			2-1/2	60.0	13/16	1-3/4	1-7/8	4-7/16	-		
TLP 5V 670-02 1610	6.60	6.70			2	1610	1-5/8	42.0	-	1	11/16	1-11/16	A-1
TLP 5V 670-03 2517			3	2517	2-1/2	60.0	-	1-3/4	5/8	2-3/8	-		
TLP 5V 670-04 2517			4	2517	2-1/2	60.0	-	1-3/4	1-5/16	3-1/16	-		
TLP 5V 670-05 2517			5	2517	2-1/2	60.0	9/16	1-3/4	1-7/16	3-3/4	-		
TLP 5V 670-06 2517			6	2517	2-1/2	60.0	13/16	1-3/4	1-7/8	4-7/16	-		
TLP 5V 710-02 2517			7.00	7.10	2	2517	2-1/2	60.0	1/16	1-3/4	-	1-11/16	B-1
TLP 5V 710-03 2517	3	2517			2-1/2	60.0	5/8	1-3/4	-	2-3/8	A-1		
TLP 5V 710-04 2517	4	2517			2-1/2	60.0	1-5/16	1-3/4	-	3-1/16	A-1		
TLP 5V 710-05 3020	5	3020			3	75.0	1/2	2	1-1/4	3-3/4	A-1		
TLP 5V 710-06 3020	6	3020			3	75.0	3/4	2	1-11/16	4-7/16	A-1		
TLP 5V 710-08 3030	8	3030			3	75.0	1	3	1-13/16	5-13/16	A-1		
TLP 5V 750-02 2517	7.40	7.50			2	2517	2-1/2	60.0	1/16	1-3/4	-	1-11/16	B-1
TLP 5V 750-03 2517					3	2517	2-1/2	60.0	5/8	1-3/4	-	2-3/8	A-1
TLP 5V 750-04 2517			4	2517	2-1/2	60.0	1-5/16	1-3/4	-	3-1/16	A-1		
TLP 5V 750-05 3020			5	3020	3	75.0	1/2	2	1-1/4	3-3/4	A-1		
TLP 5V 750-06 3020			6	3020	3	75.0	3/4	2	1-11/16	4-7/16	A-1		
TLP 5V 750-08 3030			8	3030	3	75.0	1	3	1-13/16	5-13/16	A-1		

5V & 5VX Section Pulleys

Product Code	Pitch Diameter (PD) (inches)	Outer Diameter (OD) (inches)	No. of grooves	Bush Number	Bush Max. Bore		E	L	M	F	Pulley Type		
					Imperial (Inches)	Metric (mm)							
TLP 5V 800-02 2517	7.90	8.00	2	2517	2-1/2	60.0	1/16	1-11/16	0	1-3/4	B-1		
TLP 5V 800-03 2517			3	2517	2-1/2	60.0	5/8	1-3/4	0	2-3/8	A-1		
TLP 5V 800-04 2517			4	2517	2-1/2	60.0	1-5/16	1-3/4	0	3-1/16	A-1		
TLP 5V 800-05 3020			5	3020	3	75.0	1/2	2	1-1/4	3-3/4	A-1		
TLP 5V 800-06 3020			6	3020	3	75.0	3/4	2	1-11/16	4-7/16	A-1		
TLP 5V 800-08 3030			8	3030	3	75.0	1	3	1-13/16	5-13/16	A-1		
TLP 5V 800-10 3030			10	3030	3	75.0	1	3	3-3/16	7-3/16	A-1		
TLP 5V 850-02 2517			8.40	8.50	2	2517	2-1/2	60.0	1/16	1-11/16	0	1-3/4	B-2
TLP 5V 850-03 2517					3	2517	2-1/2	60.0	5/8	1-3/4	0	2-3/8	A-2
TLP 5V 850-04 2517					4	2517	2-1/2	60.0	1-5/16	1-3/4	0	3-1/16	A-2
TLP 5V 850-05 3020	5	3020			3	75.0	1/2	2	1-1/4	3-3/4	A-1		
TLP 5V 850-06 3020	6	3020			3	75.0	3/4	2	1-11/16	4-7/16	A-1		
TLP 5V 850-08 3030	8	3030			3	75.0	1	3	1-13/16	5-13/16	A-1		
TLP 5V 850-10 3030	10	3030			3	75.0	1	3	3-3/16	7-3/16	A-1		
TLP 5V 900-02 2517	8.90	9.00			2	2517	2-1/2	60.0	1/16	1-11/16	0	1-3/4	B-2
TLP 5V 900-03 2517			3	2517	2-1/2	60.0	5/8	1-3/4	0	2-3/8	A-2		
TLP 5V 900-04 2517			4	2517	2-1/2	60.0	1-5/16	1-3/4	0	3-1/16	A-2		
TLP 5V 900-05 3020			5	3020	3	75.0	1/2	2	1-1/4	3-3/4	A-1		
TLP 5V 900-06 3020			6	3020	3	75.0	3/4	2	1-11/16	4-7/16	A-1		
TLP 5V 900-08 3030			8	3030	3-1/2	90.0	1	3-1/2	1-5/16	5-13/16	A-1		
TLP 5V 900-10 3535			10	3535	3-1/2	90.0	1	3-1/2	2-11/16	7-3/16	A-1		
TLP 5V 925-02 3020			9.15	9.25	2	3020	3	75.0	0	1-11/16	5/16	2	B-2
TLP 5V 925-03 3020					3	3020	3	75.0	0	2	3/8	2-3/8	A-1
TLP 5V 925-04 3020					4	3020	3	75.0	1/2	2	9/16	3-1/16	A-1
TLP 5V 925-05 3020	5	3020			3	75.0	1/2	2	1-1/4	3-3/4	A-1		
TLP 5V 925-06 3535	6	3535			3-1/2	90.0	0	3-1/2	15/16	4-7/16	A-1		
TLP 5V 925-08 3535	8	3535			3-1/2	90.0	1	3-1/2	1-5/16	5-13/16	A-1		
TLP 5V 925-10 4040	10	4040			4	100.0	1	4	2-3/16	7-3/16	A-1		
TLP 5V 975-02 3020	9.65	9.75			2	3020	3	75.0	0	1-11/16	5/16	2	B-2
TLP 5V 975-03 3020					3	3020	3	75.0	0	2	3/8	2-3/8	A-1
TLP 5V 975-04 3020					4	3020	3	75.0	1/2	2	9/16	3-1/16	A-1
TLP 5V 975-05 3020			5	3020	3	75.0	1/2	2	1-1/4	3-3/4	A-1		
TLP 5V 975-06 3535			6	3535	3-1/2	90.0	0	3-1/2	15/16	4-7/16	A-1		
TLP 5V 975-08 3535			8	3535	3-1/2	90.0	1	3-1/2	1-5/16	5-13/16	A-1		
TLP 5V 975-10 4040			10	4040	4	100.0	1	4	2-3/16	7-3/16	A-1		
TLP 5V 1030-02 3020			10.20	10.30	2	3020	3	75.0	0	1-11/16	5/16	2	B-2
TLP 5V 1030-03 3020	3	3020			3	75.0	0	2	3/8	2-3/8	A-2		
TLP 5V 1030-04 3020	4	3020			3	75.0	1/2	2	9/16	3-1/16	A-2		
TLP 5V 1030-05 3020	5	3020			3	75.0	1/2	2	1-1/4	3-3/4	A-2		
TLP 5V 1030-06 3535	6	3535			3-1/2	90.0	0	3-1/2	15/16	4-7/16	A-1		
TLP 5V 1030-08 3535	8	3535			3-1/2	90.0	1	3-1/2	1-5/16	5-13/16	A-1		
TLP 5V 1030-10 4040	10	4040			4	100.0	1	4	2-3/16	7-3/16	A-1		
TLP 5V 1090-02 3020	10.80	10.90			2	3020	3	75.0	0	1-11/16	5/16	2	B-2
TLP 5V 1090-03 3020					3	3020	3	75.0	0	2	3/8	2-3/8	A-2
TLP 5V 1090-04 3020					4	3020	3	75.0	1/2	2	9/16	3-1/16	A-2
TLP 5V 1090-05 3020			5	3020	3	75.0	1/2	2	1-1/4	3-3/4	A-2		
TLP 5V 1090-06 3535			6	3535	3-1/2	90.0	0	3-1/2	15/16	4-7/16	A-1		
TLP 5V 1090-08 3535			8	3535	3-1/2	90.0	1	3-1/2	1-5/16	5-13/16	A-1		
TLP 5V 1090-10 4040			10	4040	4	100.0	1	4	2-3/16	7-3/16	A-1		
TLP 5V 1180-02 3020			11.70	11.80	2	3020	3	75.0	0	1-11/16	5/16	2	B-2
TLP 5V 1180-03 3020	3	3020			3	75.0	0	2	3/8	2-3/8	A-2		
TLP 5V 1180-04 3020	4	3020			3	75.0	1/2	2	9/16	3-1/16	A-2		
TLP 5V 1180-05 3020	5	3020			3	75.0	1/2	2	1-1/4	3-3/4	A-2		
TLP 5V 1180-06 3535	6	3535			3-1/2	90.0	0	3-1/2	15/16	4-7/16	A-2		
TLP 5V 1180-08 3535	8	3535			3-1/2	90.0	1	3-1/2	1-5/16	5-13/16	A-1		
TLP 5V 1180-10 4040	10	4040			4	100.0	1	4	2-3/16	7-3/16	A-1		

5V & 5VX Section Pulleys

Product Code	Pitch Diameter (PD) (inches)	Outer Diameter (OD) (inches)	No. of grooves	Bush Number	Bush Max. Bore		E	L	M	F	Pulley Type		
					Imperial (Inches)	Metric (mm)							
TLP 5V 1250-02 3020	12.40	12.50	2	3020	3	75.0	-	1-11/16	5/16	2	B-2		
TLP 5V 1250-03 3020			3	3020	3	75.0	-	2	3/8	2-3/8	A-2		
TLP 5V 1250-04 3020			4	3020	3	75.0	-	2	1-1/16	3-1/16	A-2		
TLP 5V 1250-05 3535			5	3535	3-1/2	90.0	-	3-1/2	1/4	3-3/4	A-2		
TLP 5V 1250-06 3535			6	3535	3-1/2	90.0	-	3-1/2	15/16	4-7/16	A-2		
TLP 5V 1250-08 4040			8	4040	4	100.0	1/4	4	1-9/16	5-13/16	A-1		
TLP 5V 1250-10 4040			10	4040	4	100.0	3/4	4	2-7/16	7-3/16	A-2		
TLP 5V 1320-02 3020			13.10	13.20	2	3020	3	75.0	-	1-11/16	5/16	2	B-3
TLP 5V 1320-03 3020					3	3020	3	75.0	-	2	3/8	2-3/8	A-2
TLP 5V 1320-04 3020					4	3020	3	75.0	-	2	1-1/16	3-1/16	A-3
TLP 5V 1320-05 3535	5	3535			3-1/2	90.0	-	3-1/2	1/4	3-3/4	A-2		
TLP 5V 1320-06 3535	6	3535			3-1/2	90.0	-	3-1/2	15/16	4-7/16	A-2		
TLP 5V 1320-08 4040	8	4040			4	100.0	1/4	4	1-9/16	5-13/16	A-1		
TLP 5V 1320-10 4040	10	4040			4	100.0	3/4	4	2-7/16	7-3/16	A-2		
TLP 5V 1400-02 3020	13.90	14.00			2	3020	3	75.0	-	1-11/16	5/16	2	B-3
TLP 5V 1400-03 3020			3	3020	3	75.0	-	2	3/8	2-3/8	A-3		
TLP 5V 1400-04 3535			4	3535	3-1/2	90.0	-	3-1/16	7/16	3-1/2	B-3		
TLP 5V 1400-05 3535			5	3535	3-1/2	90.0	-	3-1/2	1/4	3-3/4	A-3		
TLP 5V 1400-06 3535			6	3535	3-1/2	90.0	-	3-1/2	15/16	4-7/16	A-2		
TLP 5V 1400-08 4040			8	4040	4	100.0	1/4	4	1-9/16	5-13/16	A-2		
TLP 5V 1400-10 4545			10	4545	4-1/2	110.0	3/4	4-1/2	1-15/16	7-3/16	A-2		
TLP 5V 1500-02 3020			14.90	15.00	2	3020	3	75.0	-	1-11/16	5/16	2	B-3
TLP 5V 1500-03 3020	3	3020			3	75.0	-	2	3/8	2-3/8	A-3		
TLP 5V 1500-04 3535	4	3535			3-1/2	90.0	-	3-1/16	7/16	3-1/2	B-3		
TLP 5V 1500-05 3535	5	3535			3-1/2	90.0	-	3-1/2	1/4	3-3/4	A-3		
TLP 5V 1500-06 4040	6	4040			4	100.0	-	4	7/16	4-7/16	A-2		
TLP 5V 1500-08 4040	8	4040			4	100.0	1/4	4	1-9/16	5-13/16	A-2		
TLP 5V 1500-10 4545	10	4545			4-1/2	110.0	3/4	4-1/2	1-15/16	7-3/16	A-2		
TLP 5V 1600-02 3020	15.90	16.00			2	3020	3	75.0	-	1-11/16	5/16	2	B-3
TLP 5V 1600-03 3020					3	3020	3	75.0	-	2	3/8	2-3/8	A-3
TLP 5V 1600-04 3535					4	3535	3-1/2	90.0	-	3-1/16	7/16	3-1/2	B-3
TLP 5V 1600-05 3535			5	3535	3-1/2	90.0	-	3-1/2	1/4	3-3/4	A-3		
TLP 5V 1600-06 4040			6	4040	4	100.0	-	4	7/16	4-7/16	A-3		
TLP 5V 1600-08 4040			8	4040	4	100.0	1/4	4	1-9/16	5-13/16	A-3		
TLP 5V 1600-10 4545			10	4545	4-1/2	110.0	3/4	4-1/2	1-15/16	7-3/16	A-2		
TLP 5V 1870-02 3020			18.60	18.70	2	3020	3	75.0	-	2	5/16	1-11/16	C-3
TLP 5V 1870-03 3020	3	3020			3	75.0	-	2	3/8	2-3/8	A-3		
TLP 5V 1870-04 3535	4	3535			3-1/2	90.0	-	3-1/16	7/16	3-1/2	B-3		
TLP 5V 1870-05 3535	5	3535			3-1/2	90.0	-	3-1/2	1/4	3-3/4	A-3		
TLP 5V 1870-06 4040	6	4040			4	100.0	-	4	7/16	4-7/16	A-3		
TLP 5V 1870-08 4040	8	4040			4	100.0	1/4	4	1-9/16	5-13/16	A-3		
TLP 5V 1870-10 4545	10	4545			4-1/2	110.0	3/4	4-1/2	1-15/16	7-3/16	A-2		
TLP 5V 2120-02 3535	21.10	21.20			2	3535	3-1/2	90.0	3/8	3-1/2	1-7/16	1-11/16	C-3
TLP 5V 2120-03 3535					3	3535	3-1/2	90.0	0	2-3/8	1-1/8	3-1/2	B-3
TLP 5V 2120-04 3535					4	3535	3-1/2	90.0	0	3-1/16	7/16	3-1/2	B-3
TLP 5V 2120-05 4040			5	4040	4	100.0	0	3-3/4	1/4	4	B-3		
TLP 5V 2120-06 4040			6	4040	4	100.0	0	4	7/16	4-7/16	A-3		
TLP 5V 2120-08 4040			8	4040	4	100.0	1/4	4	1-9/16	5-13/16	A-3		
TLP 5V 2120-10 4545			10	4545	4-1/2	110.0	3/4	4-1/2	1-15/16	7-3/16	A-3		
TLP 5V 2360-02 3535			23.50	23.60	2	3535	3-1/2	90.0	1/4	3-1/2	1-9/16	1-11/16	C-3
TLP 5V 2360-03 3535	3	3535			3-1/2	90.0	0	3-3/8	1-1/8	3-1/2	B-3		
TLP 5V 2360-04 3535	4	3535			3-1/2	90.0	0	3-1/16	7/16	3-1/2	B-3		
TLP 5V 2360-05 4040	5	4040			4	100.0	0	3-3/4	1/4	4	B-3		
TLP 5V 2360-06 4040	6	4040			4	100.0	0	4	7/16	4-7/16	A-3		
TLP 5V 2360-08 4040	8	4040			4	100.0	1/4	4	1-9/16	5-13/16	A-3		
TLP 5V 2360-10 4545	10	4545			4-1/2	110.0	3/4	4-1/2	1-15/16	7-3/16	A-3		

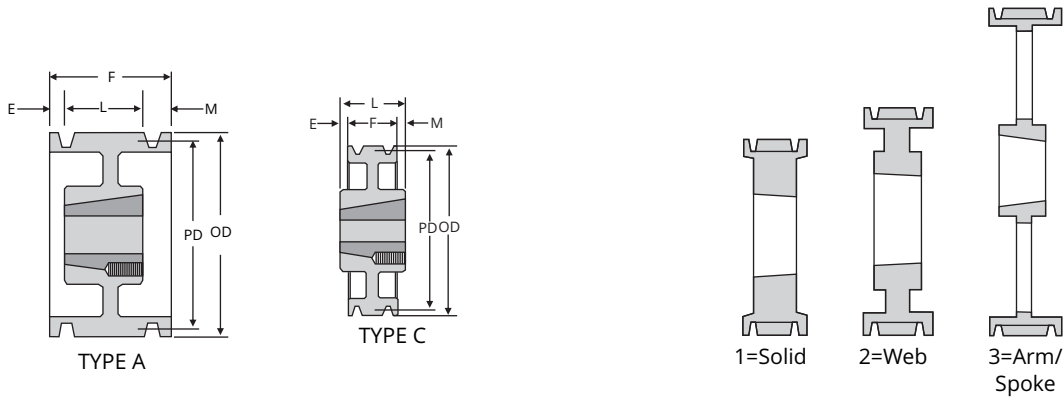
5V & 5VX Section Pulleys

Product Code	Pitch Diameter (PD) (inches)	Outer Diameter (OD) (inches)	No. of grooves	Bush Number	Bush Max. Bore		E	L	M	F	Pulley Type		
					Imperial (Inches)	Metric (mm)							
TLP 5V 2800-02 3535	27.90	28.00	2	3535	3-1/2	90.0	3/8	3-1/2	1-7/16	1-11/16	C-3		
TLP 5V 2800-03 3535			3	3535	3-1/2	90.0	0	2-3/8	1-1/8	3-1/2	B-3		
TLP 5V 2800-04 3535			4	3535	3-1/2	90.0	0	3-1/16	7/16	3-1/2	B-3		
TLP 5V 2800-05 4040			5	4040	4	100.0	0	3-3/4	1/4	4	B-3		
TLP 5V 2800-06 4040			6	4040	4	100.0	0	4	7/16	4-7/16	A-3		
TLP 5V 2800-08 4545			8	4545	4-1/2	110.0	1/4	4-1/2	1-1/16	5-13/16	A-3		
TLP 5V 2800-10 4545			10	4545	4-1/2	110.0	3/4	4-1/2	1-15/16	7-3/16	A-3		
TLP 5V 3150-03 3535			31.40	31.50	3	3535	3-1/2		11/32	3-1/2	25/32	2-3/8	C-3
TLP 5V 3150-04 3535					4	3535	3-1/2	90.0	0	3-1/16	7/16	3-1/2	B-3
TLP 5V 3150-05 4040					5	4040	4	100.0	0	3-3/4	1/4	4	B-3
TLP 5V 3150-06 4040	6	4040			4	100.0	0	4	7/16	4-7/16	A-3		
TLP 5V 3150-08 4545	8	4545			4-1/2	110.0	1/4	4-1/2	1-1/16	5-13/16	A-3		
TLP 5V 3150-10 4545	10	4545			4-1/2	110.0	3/4	4-1/2	1-15/16	7-3/16	A-3		
TLP 5V 3750-03 4040	37.40	37.50			3	4040	4	100.0	1/2	4	1-1/8	2-3/8	C-3
TLP 5V 3750-04 4040			4	4040	4	100.0	0	3-1/16	15/16	4	B-3		
TLP 5V 3750-05 4040			5	4040	4	100.0	0	3-3/4	1/4	4	B-3		
TLP 5V 3750-06 4545			6	4545	4-1/2	110.0	0	4-7/16	1/16	4-1/2	B-3		
TLP 5V 3750-08 4545			8	4545	4-1/2	110.0	1/4	4-1/2	1-1/16	5-13/16	A-3		
TLP 5V 3750-10 4545			10	4545	4-1/2	110.0	3/4	4-1/2	1-15/16	7-3/16	A-3		
TLP 5V 5000-03 4040			49.90	50.00	3	4040	4	100.0	1/2	4	1-1/8	2-3/8	C-3
TLP 5V 5000-04 4040	4	4040			4	100.0	0	3-1/16	15/16	4	B-3		
TLP 5V 5000-05 4545	5	4545			4-1/2	110.0	0	3-3/4	3/4	4-1/2	B-3		
TLP 5V 5000-06 4545	6	4545			4-1/2	110.0	0	4-7/16	1/16	4-1/2	B-3		
TLP 5V 5000-08 4545	8	4545			4-1/2	110.0	1/4	4-1/2	1-1/16	5-13/16	A-3		
TLP 5V 5000-10 5050	10	5050			5	125.0	3/4	5	1-7/16	7-3/16	A-3		

- Above 'Pulley Description' is for '5V' section Pulleys, replace '5V' with 5VX to arrive at respective product code
- Please refer 'PIX recommended minimum pulley diameter' charts given on page no. 3
- Unlisted sizes are available on request

powered by SIS

8V & 8VX Section Pulleys



Product Code	Pitch Diameter (PD) (inches)	Outer Diameter (OD) (inches)	No. of grooves	Bush Number	Bush Max. Bore		E	L	M	F	Pulley Type
					Imperial (Inches)	Metric (mm)					
TLP 8V 1250-04 4040	12.3	12.5	4	4040	4	100.0	0	4	7/8	4-7/8	A-1
TLP 8V 1250-05 4040			5	4040	4	100.0	3/16	4	1-13/16	6	A-1
TLP 8V 1250-06 4040			6	4040	4	100.0	1	4	2-1/8	7-1/8	A-1
TLP 8V 1250-08 4545			8	4545	4-1/2	110.0	1-1/2	4-1/2	3-3/8	9-3/8	A-1
TLP 8V 1250-12 5050			12	5050	5	125.0	3-3/16	5	5-11/16	13-7/8	A-1
TLP 8V 1320-04 4040	13.0	13.2	4	4040	4	100.0	0	4	7/8	4-7/8	A-1
TLP 8V 1320-05 4040			5	4040	4	100.0	3/16	4	1-13/16	6	A-1
TLP 8V 1320-06 4040			6	4040	4	100.0	1	4	2-1/8	7-1/8	A-1
TLP 8V 1320-08 4545			8	4545	4-1/2	110.0	1-1/2	4-1/2	3-3/8	9-3/8	A-1
TLP 8V 1320-10 4545			10	4545	4-1/2	110.0	1	4-1/2	6-1/8	11-5/8	A-1
TLP 8V 1320-12 5050	12	5050	5	125.0	3	5	5-7/8	13-7/8	A-1		
TLP 8V 1400-04 4040	13.8	14.0	4	4040	4	100.0	0	4	7/8	4-7/8	A-1
TLP 8V 1400-05 4040			5	4040	4	100.0	3/16	4	1-13/16	6	A-1
TLP 8V 1400-06 4040			6	4040	4	100.0	1	4	2-1/8	7-1/8	A-1
TLP 8V 1400-08 4545			8	4545	4-1/2	110.0	1-1/2	4-1/2	3-3/8	9-3/8	A-1
TLP 8V 1400-10 4545			10	4545	4-1/2	110.0	1	4-1/2	6-1/8	11-5/8	A-1
TLP 8V 1400-12 5050	12	5050	5	125.0	3-3/16	5	5-11/16	13-7/8	A-1		
TLP 8V 1500-04 4040	14.8	15.0	4	4040	4	100.0	0	4	7/8	4-7/8	A-1
TLP 8V 1500-05 4040			5	4040	4	100.0	3/16	4	1-13/16	6	A-1
TLP 8V 1500-06 4545			6	4545	4-1/2	110.0	1/2	4-1/2	2-1/8	7-1/8	A-1
TLP 8V 1500-08 4545			8	4545	4-1/2	110.0	1-1/2	4-1/2	3-3/8	9-3/8	A-1
TLP 8V 1500-10 5050			10	5050	5	125.0	1	5	5-5/8	11-5/8	A-1
TLP 8V 1500-12 5050	12	5050	5	125.0	1-7/8	5	7	13-7/8	A-1		
TLP 8V 1600-04 4040	15.8	16.0	4	4040	4	100.0	0	4	7/8	4-7/8	A-1
TLP 8V 1600-05 4040			5	4040	4	100.0	1/2	4	1-1/2	6	A-1
TLP 8V 1600-06 4545			6	4545	4-1/2	110.0	1/2	4-1/2	3-3/8	7-1/8	A-2
TLP 8V 1600-08 4545			8	4545	4-1/2	110.0	1-1/2	4-1/2	3-3/8	9-3/8	A-2
TLP 8V 1600-10 5050			10	5050	5	125.0	1	5	5-5/8	11-5/8	A-1
TLP 8V 1600-12 5050	12	5050	5	125.0	1-7/8	5	7	13-7/8	A-1		
TLP 8V 1700-04 4040	16.8	17.0	4	4040	4	100.0	0	4	7/8	4-7/8	A-2
TLP 8V 1700-05 4545			5	4545	4-1/2	100.0	0	4-1/2	1-1/2	6	A-2
TLP 8V 1700-06 4545			6	4545	4-1/2	110.0	1/2	4-1/2	2-1/8	7-1/8	A-2
TLP 8V 1700-08 5050			8	5050	5	125.0	1	5	3-3/8	9-3/8	A-2
TLP 8V 1700-10 5050			10	5050	5	125.0	2-1/4	5	4-3/8	11-5/8	A-2
TLP 8V 1700-12 5050	12	5050	5	125.0	3-1/2	5	5-3/8	13-7/8	A-2		

8V & 8VX Section Pulleys

Product Code	Pitch Diameter (PD) (inches)	Outer Diameter (OD) (inches)	No. of grooves	Bush Number	Bush Max. Bore		E	L	M	F	Pulley Type
					Imperial (Inches)	Metric (mm)					
TLP 8V 1800-04 4040	17.8	18.0	4	4040	4	100.0	0	4	7/8	4-7/8	A-2
TLP 8V 1800-05 4545			5	4545	4-1/2	100.0	0	4-1/2	1-1/2	6	A-2
TLP 8V 1800-06 4545			6	4545	4-1/2	110.0	1/2	4-1/2	2-1/8	7-1/8	A-2
TLP 8V 1800-08 5050			8	5050	5	125.0	1	5	3-3/8	9-3/8	A-2
TLP 8V 1800-10 5050			10	5050	5	125.0	2-1/4	5	4-3/8	11-5/8	A-2
TLP 8V 1800-12 5050			12	5050	5	125.0	3-17/32	5	5-11/32	13-7/8	A-2
TLP 8V 1900-04 4040	18.8	19.0	4	4040	4	100.0	0	4	7/8	4-7/8	A-2
TLP 8V 1900-05 4545			5	4545	4-1/2	100.0	0	4-1/2	1-1/2	6	A-2
TLP 8V 1900-06 4545			6	4545	4-1/2	110.0	1/2	4-1/2	2-1/8	7-1/8	A-2
TLP 8V 1900-08 5050			8	5050	5	125.0	1	5	3-3/8	9-3/8	A-2
TLP 8V 1900-10 5050			10	5050	5	125.0	2-1/4	5	4-3/8	11-5/8	A-2
TLP 8V 1900-12 5050			12	5050	5	125.0	2-1/4	5	6-5/8	13-7/8	A-2
TLP 8V 2000-04 4545	19.8	20.0	4	4545	4-1/2	100.0	0	4-1/2	3/8	4-7/8	A-2
TLP 8V 2000-05 4545			5	4545	4-1/2	100.0	0	4-1/2	1-1/2	6	A-2
TLP 8V 2000-06 5050			6	5050	5	125.0	1/2	5	1-5/8	7-1/8	A-2
TLP 8V 2000-08 5050			8	5050	5	125.0	1	5	3-3/8	9-3/8	A-2
TLP 8V 2000-10 5050			10	5050	5	125.0	2-1/4	5	4-3/8	11-5/8	A-2
TLP 8V 2000-12 5050			12	5050	5	125.0	2-1/4	5	6-5/8	13-7/8	A-2
TLP 8V 2120-04 4545	21.0	21.2	4	4545	4-1/2	100.0	0	4-1/2	3/8	4-7/8	A-3
TLP 8V 2120-05 4545			5	4545	4-1/2	100.0	0	4-1/2	1-1/2	6	A-3
TLP 8V 2120-06 5050			6	5050	5	125.0	1/2	5	1-5/8	7-1/8	A-3
TLP 8V 2120-08 5050			8	5050	5	125.0	1	5	3-3/8	9-3/8	A-3
TLP 8V 2120-10 5050			10	5050	5	125.0	2-1/4	5	4-3/8	11-5/8	A-2
TLP 8V 2120-12 5050			12	5050	5	125.0	2-1/4	5	6-5/8	13-7/8	A-2
TLP 8V 2240-04 4545	22.2	22.4	4	4545	4-1/2	100.0	0	4-1/2	3/8	4-7/8	A-3
TLP 8V 2240-05 4545			5	4545	4-1/2	100.0	0	4-1/2	1-1/2	6	A-3
TLP 8V 2240-06 5050			6	5050	5	125.0	1/2	5	1-5/8	7-1/8	A-3
TLP 8V 2240-08 5050			8	5050	5	125.0	1	5	3-3/8	9-3/8	A-3
TLP 8V 2240-10 5050			10	5050	5	125.0	2-1/4	5	4-3/8	11-5/8	A-3
TLP 8V 2240-12 5050			12	5050	5	125.0	2-1/4	5	6-5/8	13-7/8	A-3
TLP 8V 2480-04 5050	24.6	24.8	4	5050	5	125.0	0	5	1/8	4-7/8	C-3
TLP 8V 2480-05 5050			5	5050	5	125.0	0	5	1	6	A-3
TLP 8V 2480-06 5050			6	5050	5	125.0	1/2	5	1-5/8	7-1/8	A-3
TLP 8V 2480-08 5050			8	5050	5	125.0	1	5	3-3/8	9-3/8	A-3
TLP 8V 2480-10 5050			10	5050	5	125.0	2-1/4	5	4-3/8	11-5/8	A-3
TLP 8V 2480-12 5050			12	5050	5	125.0	5-3/8	5	3-1/2	13-7/8	A-3
TLP 8V 3000-04 5050	29.8	30.0	4	5050	5	125.0	0	5	1/8	4-7/8	C-3
TLP 8V 3000-05 5050			5	5050	5	125.0	0	5	1	6	A-3
TLP 8V 3000-06 5050			6	5050	5	125.0	1/2	5	1-5/8	7-1/8	A-3
TLP 8V 3000-08 5050			8	5050	5	125.0	1	5	3-3/8	9-3/8	A-3
TLP 8V 3000-10 5050			10	5050	5	125.0	2-1/4	5	4-3/8	11-5/8	A-3
TLP 8V 3000-12 6050			12	6050	6	150.0	4	5	4-7/8	13-7/8	A-3
TLP 8V 3550-04 5050	35.3	35.5	4	5050	5	125.0	0	5	1/8	4-7/8	C-3
TLP 8V 3550-05 5050			5	5050	5	125.0	0	5	1	6	A-3
TLP 8V 3550-06 5050			6	5050	5	125.0	1/2	5	1-5/8	7-1/8	A-3
TLP 8V 3550-08 5050			8	5050	5	125.0	1	5	3-3/8	9-3/8	A-3
TLP 8V 3550-10 6050			10	6050	6	150.0	2-1/4	5	4-3/8	11-5/8	A-3
TLP 8V 3550-12 6050			12	6050	6	150.0	4	5	4-7/8	13-7/8	A-3

8V & 8VX Section Pulleys

Product Code	Pitch Diameter (PD) (inches)	Outer Diameter (OD) (inches)	No. of grooves	Bush Number	Bush Max. Bore		E	L	M	F	Pulley Type
					Imperial (Inches)	Metric (mm)					
TLP 8V 4000-04 5050	39.8	40.0	4	5050	5	125.0	0	5	1/8	4-7/8	C-3
TLP 8V 4000-05 5050			5	5050	5	125.0	0	5	1	6	A-3
TLP 8V 4000-06 5050			6	5050	5	125.0	1/2	5	1-5/8	7-1/8	A-3
TLP 8V 4000-08 5050			8	5050	5	125.0	1	5	3-3/8	9-3/8	A-3
TLP 8V 4000-10 6050			10	6050	6	150.0	2-1/4	5	4-3/8	11-5/8	A-3
TLP 8V 4000-12 6050			12	6050	6	150.0	4	5	4-7/8	13-7/8	A-3
TLP 8V 4450-04 5050	44.3	44.5	4	5050	5	125.0	0	5	1/8	4-7/8	C-3
TLP 8V 4450-05 5050			5	5050	5	125.0	0	5	1	6	A-3
TLP 8V 4450-06 5050			6	5050	5	125.0	1/2	5	1-5/8	7-1/8	A-3
TLP 8V 4450-08 6050			8	6050	5	125.0	1	5	3-3/8	9-3/8	A-3
TLP 8V 4450-10 6050			10	6050	6	150.0	2-1/4	5	4-3/8	11-5/8	A-3
TLP 8V 4450-12 6050			12	6050	6	150.0	4	5	4-7/8	13-7/8	A-3
TLP 8V 5300-04 5050	52.8	53.0	4	5050	5	125.0	0	5	1/8	4-7/8	C-3
TLP 8V 5300-05 5050			5	5050	5	125.0	0	5	1	6	A-3
TLP 8V 5300-06 5050			6	5050	5	125.0	1/2	5	1-5/8	7-1/8	A-3
TLP 8V 5300-08 6050			8	6050	6	150.0	1	5	3-3/8	9-3/8	A-3
TLP 8V 5300-10 6050			10	6050	6	150.0	2-1/4	5	4-3/8	11-5/8	A-3
TLP 8V 5300-12 7060			12	7060	6	150.0	5	6	2-7/8	13-7/8	A-3

- Above 'Pulley Description' is for '8V' section Pulleys, replace '8V' with 8VX to arrive at respective product code
- Please refer 'PIX recommended minimum pulley diameter' charts given on page no. 3
- Unlisted sizes are available on request

HAJTASTECHNIKA
 powered by **SIS**

Poly-V Pulleys

Poly-V or Ribbed drive is a special construction Belt drive, which can be used with very small pulley diameters. Poly-V drives help to dampen the noise and vibrations.

Due to reduced pulley size, various applications which require compact drives at high speed are driven by Poly-V drives.

Some of the common applications include engine drive, machine tools, wood working machines, health & fitness utility machines, compressors, fans etc.

Poly-V drives help to achieve optimum drive performance and an augmented drive life.

Standard Poly-V, Pulley groove dimensions:

Cross section	Minimum recommended outer diameter	Groove angle(q) ± 0.25 degrees	Pitch (p)	r _t +0.15 -0.00	2a	r _b	h _g Minimum	d _B ±0.001	S _e
H / PH	13	40	1.60 ± 0.03	0.15	0.58	0.30 +0.00 -0.15	1.04	1.00	2.0 +0.5 -0.3
J / PJ	20	40	2.34 ± 0.03	0.20	0.76	0.40 +0.00 -0.15	1.77	1.50	3.0 +0.8 -0.4
K / PK	40	40	3.56 ± 0.05	0.25	0.96	0.50 +0.00 -0.15	3.16	3.00	3.0 +1.5 -0.0
L / PL	75	40	4.70 ± 0.05	0.40	1.54	0.40 +0.00 -0.15	4.63	4.00	10.0 +2.0 -1.0
M / PM	180	40	9.40 ± 0.08	0.75	2.88	0.75 +0.00 -0.25	9.74	7.00	13.0 +3.0 -1.0

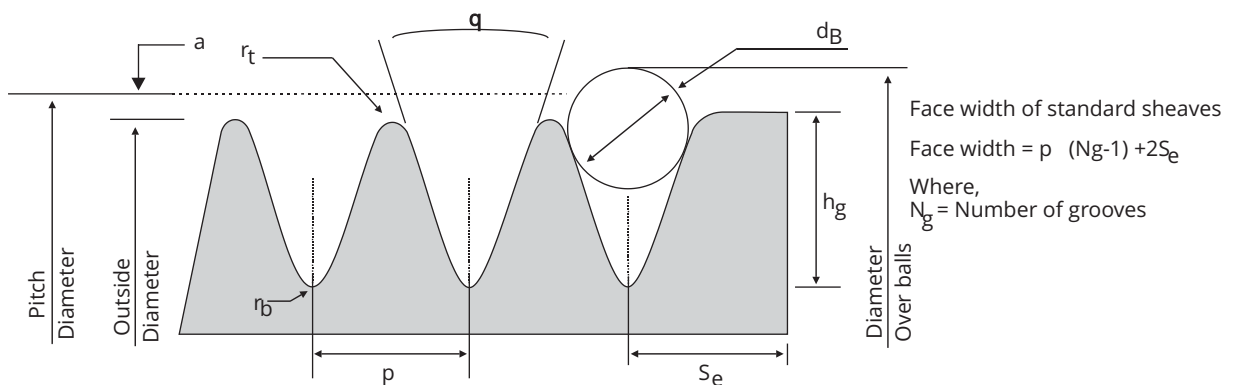
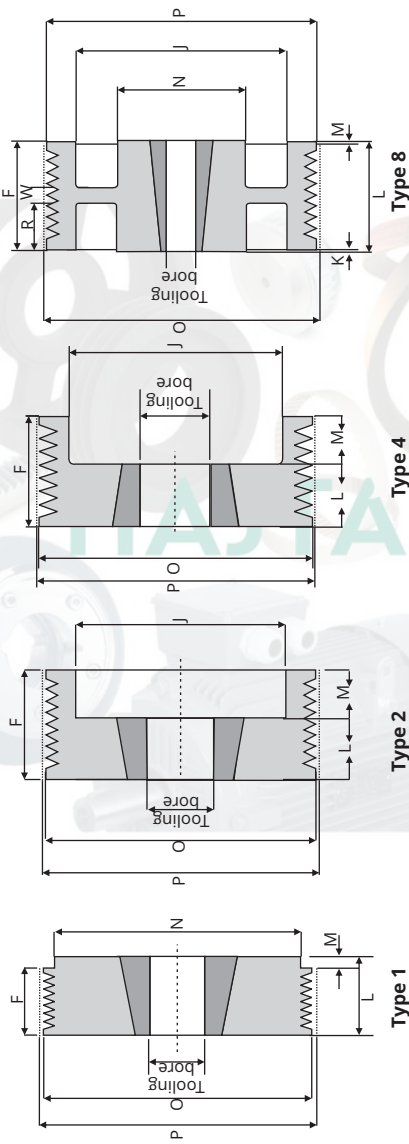


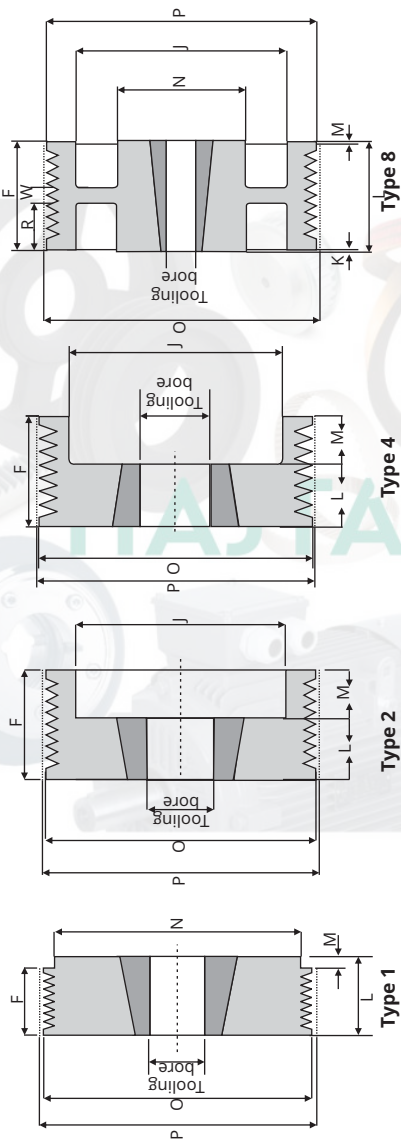
Figure: Standard groove dimensions

Poly-V (12-groove, PJ Section Pulleys)



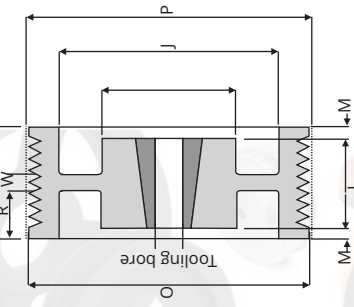
Part Number	Outer Dia (O) (mm)	Pitch Dia (P) (mm)	No. of Grooves	Tooling Bore (mm)	Bush Type	Bush Size	F	J	L	N	M	K	R	Q	S	W	X	Y	Z	R1	R2
TPP PJ 75-12 1210	75	77.4	12	32	2	1210	34	60	25	-	9	-	-	-	-	-	-	-	-	-	-
TPP PJ 80-12 1210	80	82.4	12	32	2	1210	34	64	25	-	9	-	-	-	-	-	-	-	-	-	-
TPP PJ 85-12 1210	85	87.4	12	32	2	1210	34	69	25	-	9	-	-	-	-	-	-	-	-	-	-
TPP PJ 90-12 1610	90	92.4	12	40	2	1610	34	74	25	-	9	-	-	-	-	-	-	-	-	-	-
TPP PJ 95-12 1610	95	97.4	12	40	2	1610	34	79	25	-	9	-	-	-	-	-	-	-	-	-	-
TPP PJ 100-12 1610	100	102.4	12	40	2	1610	34	84	25	-	9	-	-	-	-	-	-	-	-	-	-
TPP PJ 106-12 1610	106	108.4	12	40	2	1610	34	90	25	-	9	-	-	-	-	-	-	-	-	-	-
TPP PJ 112-12 1610	112	114.4	12	40	2	1610	34	96	25	-	9	-	-	-	-	-	-	-	-	-	-
TPP PJ 118-12 1610	118	120.4	12	40	2	1610	34	102	25	-	9	-	-	-	-	-	-	-	-	-	-
TPP PJ 125-12 2012	125	127.4	12	50	2	2012	34	109	32	-	2	-	-	-	-	-	-	-	-	-	-
TPP PJ 132-12 2012	132	134.4	12	50	2	2012	34	116	32	-	2	-	-	-	-	-	-	-	-	-	-
TPP PJ 140-12 2517	140	142.4	12	65	1	2517	34	-	45	124	11	-	-	-	-	-	-	-	-	-	-
TPP PJ 160-12 2517	160	162.4	12	65	1	2517	34	-	45	124	11	-	-	-	-	-	-	-	-	-	-
TPP PJ 180-12 2517	180	182.4	12	65	1	2517	34	-	45	124	11	-	-	-	-	-	-	-	-	-	-
TPP PJ 200-12 2517	200	202.4	12	65	8	2517	34	184	45	124	5.5	5.5	12	-	-	10	-	-	-	-	-
TPP PJ 224-12 2517	224	226.4	12	65	8	2517	34	208	45	124	5.5	5.5	12	-	-	10	-	-	-	-	-
TPP PJ 250-12 2517	250	252.4	12	65	8	2517	34	230	45	124	5.5	5.5	12	-	-	10	-	-	-	-	-
TPP PJ 315-12 2517	315	317.4	12	65	4	2517	34	295	45	124	5.5	5.5	-	270	150	14	12	28	24	7	6
TPP PJ 355-12 2517	355	357.4	12	65	4	2517	34	335	45	124	5.5	5.5	-	310	150	14	12	28	24	7	6
TPP PJ 400-12 2517	400	402.4	12	65	4	2517	34	380	45	124	5.5	5.5	-	355	150	18	16	36	32	9	8

Poly-V (16-groove, PJ Section Pulleys)

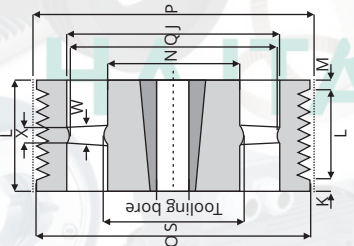


Part Number	Outer Dia (O) (mm)	Pitch Dia (P) (mm)	No. of Grooves	Tooling Bore (mm)	Pulley Type	Bush Size	F	J	L	N	M	K	R	Q	S	W	X	Y	Z	R1	R2
TPP PJ 75-16 1210	75	77.4	16	32	2	1210	44	59	25	-	19	-	-	-	-	-	-	-	-	-	-
TPP PJ 80-16 1210	80	92.4	16	32	2	1210	44	64	25	-	19	-	-	-	-	-	-	-	-	-	-
TPP PJ 85-16 1610	85	87.4	16	40	2	1610	44	70	25	-	19	-	-	-	-	-	-	-	-	-	-
TPP PJ 90-16 1610	90	92.4	16	40	2	1610	44	74	25	-	19	-	-	-	-	-	-	-	-	-	-
TPP PJ 95-16 1610	95	97.4	16	40	2	1610	44	79	25	-	19	-	-	-	-	-	-	-	-	-	-
TPP PJ 100-16 1610	100	102.4	16	40	2	1610	44	84	25	-	19	-	-	-	-	-	-	-	-	-	-
TPP PJ 106-16 1610	106	108.4	16	40	2	1610	44	90	25	-	19	-	-	-	-	-	-	-	-	-	-
TPP PJ 112-16 1610	112	114.4	16	40	2	1610	44	96	25	-	19	-	-	-	-	-	-	-	-	-	-
TPP PJ 118-16 2012	118	120.4	16	50	2	2012	44	102	32	-	12	-	-	-	-	-	-	-	-	-	-
TPP PJ 125-16 2012	125	127.4	16	50	2	2012	44	109	32	-	12	-	-	-	-	-	-	-	-	-	-
TPP PJ 132-16 2012	132	134.4	16	50	2	2012	44	116	32	124	12	-	-	-	-	-	-	-	-	-	-
TPP PJ 140-16 2517	140	142.4	16	65	1	2517	44	-	45	124	1	-	-	-	-	-	-	-	-	-	-
TPP PJ 160-16 2517	160	162.4	16	65	1	2517	44	-	45	124	1	-	-	-	-	-	-	-	-	-	-
TPP PJ 180-16 2517	180	182.4	16	65	1	2517	44	-	45	124	1	-	-	-	-	-	-	-	-	-	-
TPP PJ 200-16 2517	200	202.4	16	65	8	2517	44	184	45	124	1	-	14	-	-	15	-	-	-	-	-
TPP PJ 224-16 2517	224	226.4	16	65	8	2517	44	208	45	124	1	-	14	-	-	15	-	-	-	-	-
TPP PJ 250-16 2517	250	252.4	16	65	8	2517	44	230	45	124	1	-	14	-	-	15	-	-	-	-	-
TPP PJ 315-16 2517	315	317.4	16	65	4	2517	44	295	45	124	1	-	-	270	150	18	16	36	32	9	8
TPP PJ 355-16 2517	355	357.4	16	65	4	2517	44	335	45	124	1	-	-	310	150	18	16	36	32	9	8
TPP PJ 400-16 3020	400	402.4	16	80	4	3020	44	380	51	159	4.5	4.5	-	355	185	20	18	40	36	10	9

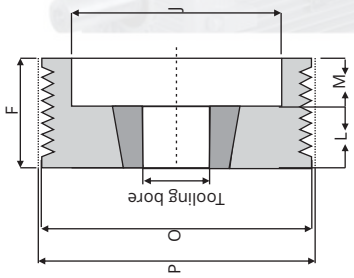
Poly-V (20-groove, PJ Section Pulleys)



Type 2



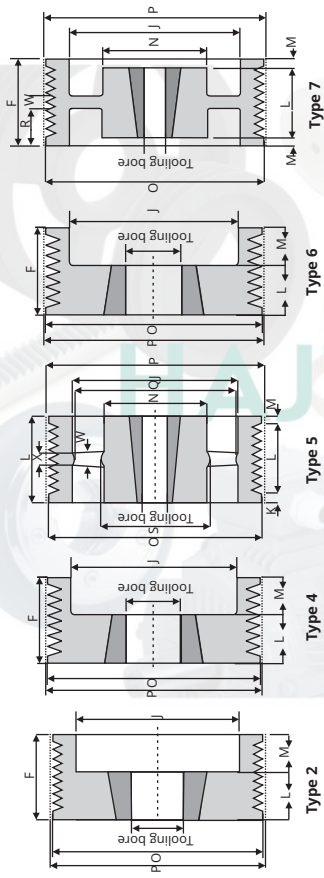
Type 5



Type 7

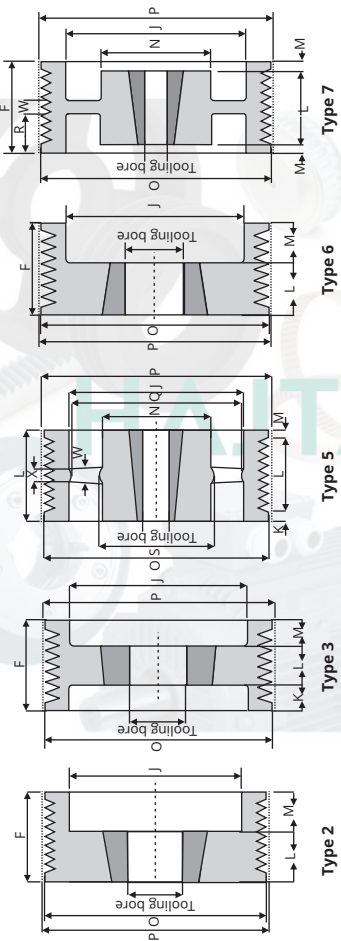
Part Number	Outer Dia (O) (mm)	Pitch Dia (P) (mm)	No. of Grooves	Tooling Bore (mm)	Pulley Type	Bush Size	F	J	L	N	M	K	R	Q	S	W	X	Y	Z	R1	R2
TPP PJ 75-20 1210	75	77.4	20	32	2	1210	53	59	25	-	28	-	-	-	-	-	-	-	-	-	-
TPP PJ 80-20 1210	80	82.4	20	32	2	1210	53	64	25	-	28	-	-	-	-	-	-	-	-	-	-
TPP PJ 85-20 1610	85	87.4	20	40	2	1610	53	70	25	-	28	-	-	-	-	-	-	-	-	-	-
TPP PJ 90-20 1610	90	92.4	20	40	2	1610	53	74	25	-	28	-	-	-	-	-	-	-	-	-	-
TPP PJ 95-20 1610	95	97.4	20	40	2	1610	53	79	25	-	28	-	-	-	-	-	-	-	-	-	-
TPP PJ 100-20 1610	100	102.4	20	40	2	1610	53	84	25	-	28	-	-	-	-	-	-	-	-	-	-
TPP PJ 106-20 1610	106	108.4	20	40	2	1610	53	90	25	-	28	-	-	-	-	-	-	-	-	-	-
TPP PJ 112-20 1610	112	114.4	20	40	2	1610	53	96	25	-	28	-	-	-	-	-	-	-	-	-	-
TPP PJ 118-20 2012	118	120.4	20	50	2	2012	53	102	32	-	21	-	-	-	-	-	-	-	-	-	-
TPP PJ 125-20 2012	125	127.4	20	50	2	2012	53	109	32	-	21	-	-	-	-	-	-	-	-	-	-
TPP PJ 132-20 2012	132	134.4	20	50	2	2012	53	116	32	-	21	-	-	-	-	-	-	-	-	-	-
TPP PJ 140-20 2517	140	142.4	20	65	2	2517	53	124	45	-	8	-	-	-	-	-	-	-	-	-	-
TPP PJ 160-20 2517	160	162.4	20	65	2	2517	53	144	45	-	8	-	-	-	-	-	-	-	-	-	-
TPP PJ 180-20 2517	180	182.4	20	65	2	2517	53	164	45	-	8	-	-	-	-	-	-	-	-	-	-
TPP PJ 200-20 2517	200	202.4	20	65	7	2517	53	184	45	124	4	4	15	-	-	22	-	-	-	-	-
TPP PJ 224-20 2517	224	226.4	20	65	7	2517	53	208	45	124	4	4	15	-	-	22	-	-	-	-	-
TPP PJ 250-20 2517	250	252.4	20	65	7	2517	53	230	45	124	4	4	15	-	-	22	-	-	-	-	-
TPP PJ 315-20 2517	315	317.4	20	65	5	2517	53	295	45	124	4	4	-	270	150	18	16	36	32	9	8
TPP PJ 355-20 2517	355	357.4	20	65	5	2517	53	335	45	124	4	4	-	310	150	18	16	36	32	9	8
TPP PJ 400-20 3020	400	402.4	20	80	5	3020	53	380	51	159	1	1	-	355	185	20	18	40	36	10	9

Poly-V (12-groove, PL Section Pulleys)



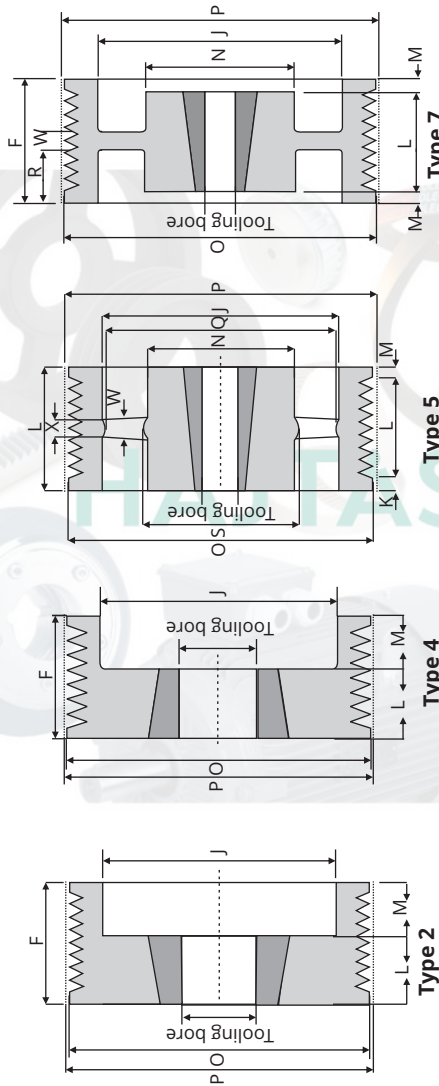
Part Number	Outer Dia (O) (mm)	Pitch Dia (P) (mm)	No. of Grooves	Tooting Bore (mm)	Pulley Type	Bush Size	F	J	L	N	M	K	R	Q	S	W	X	Y	Z	R1	R2
TPP PL 75-12 1215	75	81	12	32	6	1215	63	45	38	-	-	25	-	-	-	-	-	-	-	-	-
TPP PL 80-12 1215	80	86	12	32	6	1215	63	50	38	-	-	25	-	-	-	-	-	-	-	-	-
TPP PL 85-12 1615	85	91	12	40	6	1615	63	55	38	-	-	25	-	-	-	-	-	-	-	-	-
TPP PL 90-12 1615	90	96	12	40	6	1615	63	60	38	-	-	25	-	-	-	-	-	-	-	-	-
TPP PL 95-12 1615	95	101	12	40	6	1615	63	65	38	-	-	25	-	-	-	-	-	-	-	-	-
TPP PL 100-12 1615	100	106	12	40	2	1615	63	70	38	-	25	-	-	-	-	-	-	-	-	-	-
TPP PL 106-12 1615	106	1120	12	40	2	1615	63	76	38	-	25	-	-	-	-	-	-	-	-	-	-
TPP PL 112-12 1615	112	118	12	40	2	1615	63	82	38	-	25	-	-	-	-	-	-	-	-	-	-
TPP PL 118-12 1615	118	124	12	40	2	1615	63	88	38	-	25	-	-	-	-	-	-	-	-	-	-
TPP PL 125-12 2517	125	131	12	65	2	2517	63	98	45	-	18	-	-	-	-	-	-	-	-	-	-
TPP PL 132-12 2517	132	138	12	65	2	2517	63	102	45	-	18	-	-	-	-	-	-	-	-	-	-
TPP PL 140-12 2517	140	146	12	65	2	2517	63	110	45	-	18	-	-	-	-	-	-	-	-	-	-
TPP PL 160-12 2517	160	166	12	65	2	2517	63	130	45	-	18	-	-	-	-	-	-	-	-	-	-
TPP PL 180-12 2517	180	186	12	65	2	2517	63	150	45	-	18	-	-	-	-	-	-	-	-	-	-
TPP PL 200-12 3020	200	206	12	80	2	3020	63	170	51	-	12	-	-	-	-	-	-	-	-	-	-
TPP PL 224-12 3020	224	230	12	80	2	3020	63	194	51	-	12	-	-	-	-	-	-	-	-	-	-
TPP PL 250-12 3020	250	256	12	80	7	3020	63	220	51	159	6	6	21	-	-	20	-	-	-	-	-
TPP PL 315-12 3020	315	321	12	80	7	3020	63	285	51	159	6	6	21	-	-	20	-	-	-	-	-
TPP PL 355-12 3020	355	361	12	80	5	3020	63	325	51	159	6	6	-	300	185	20	18	40	36	10	9
TPP PL 400-12 3525	400	406	12	105	4	3525	63	370	65	178	1	1	-	345	200	22	20	44	4	11	10
TPP PL 500-12 3525	500	506	12	105	4	3525	63	470	65	178	1	1	-	445	200	24	22	48	44	12	11
TPP PL 560-12 3525	560	566	12	105	4	3525	63	530	65	178	1	1	-	505	200	26	24	52	48	13	12
TPP PL 630-12 3525	630	636	12	105	4	3525	63	590	65	178	1	1	-	565	200	28	26	56	52	14	13
TPP PL 800-12 3525	800	806	12	105	4	3525	63	760	65	178	1	1	-	735	200	30	28	60	56	15	14

Poly-V (16-groove, PL Section Pulleys)



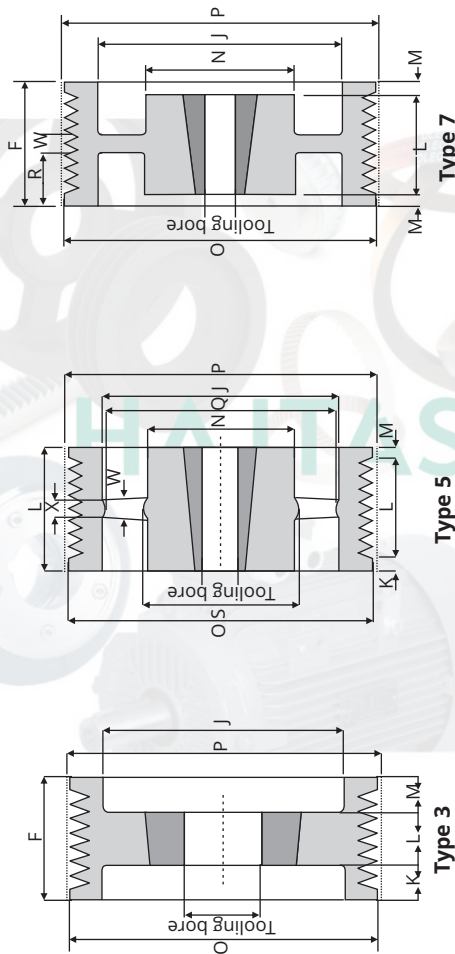
Part Number	Outer Dia (O) (mm)	Pitch Dia (P) (mm)	No. of Grooves	Tooling Bore (mm)	Pulley Type	Bush Size	F	J	L	N	M	K	R	Q	S	W	X	Y	Z	R1	R2
TPP PL 85-16 1615	85	91	16	40	6	1615	81.5	55	38	-	-	43.5	-	-	-	-	-	-	-	-	-
TPP PL 90-16 1615	90	96	16	40	6	1615	81.5	60	38	-	-	435	-	-	-	-	-	-	-	-	-
TPP PL 95-16 1615	95	101	16	40	6	1615	81.5	65	38	-	-	43.5	-	-	-	-	-	-	-	-	-
TPP PL 100-16 1615	100	106	16	40	6	1615	81.5	70	38	-	-	43.5	-	-	-	-	-	-	-	-	-
TPP PL 106-16 2012	106	112	16	50	6	2012	81.5	76	32	-	-	49.5	-	-	-	-	-	-	-	-	-
TPP PL 112-16 2012	112	118	16	50	2	2012	81.5	83	32	-	-	49.5	-	-	-	-	-	-	-	-	-
TPP PL 118-16 2012	118	124	16	50	2	2012	81.5	88	32	-	-	36.5	-	-	-	-	-	-	-	-	-
TPP PL 125-16 2517	125	1310	16	65	2	2517	81.5	98	45	-	-	36.5	-	-	-	-	-	-	-	-	-
TPP PL 132-16 2517	132	138	16	65	2	2517	81.5	102	45	-	-	36.5	-	-	-	-	-	-	-	-	-
TPP PL 140-16 2517	140	146	16	65	2	2517	81.5	110	45	-	-	36.5	-	-	-	-	-	-	-	-	-
TPP PL 160-16 2517	160	166	16	65	3	2517	81.5	130	45	-	-	18.5	18	-	-	-	-	-	-	-	-
TPP PL 100-16 3020	100	186	16	80	3	3020	81.5	150	51	-	-	15.5	15	-	-	-	-	-	-	-	-
TPP PL 200-16 3020	200	206	16	80	3	3020	81.5	170	51	-	-	15.5	15	-	-	-	-	-	-	-	-
TPP PL 224-16 3020	224	230	16	80	3	3020	81.5	194	51	-	-	15.5	15	-	-	-	-	-	-	-	-
TPP PL 250-16 3020	250	256	16	80	7	3020	81.5	220	51	159	15.5	15	28	-	-	-	-	-	-	-	-
TPP PL 315-16 3525	315	321	16	105	7	3525	81.5	285	65	178	8.5	8	26	-	-	-	-	-	-	-	-
TPP PL 355-16 3525	355	361	16	105	5	3525	81.5	325	65	178	8.5	8	-	300	200	22	20	44	40	11	10
TPP PL 400-16 3525	400	406	16	105	5	3525	81.5	370	65	178	8.5	8	-	345	200	24	22	48	44	12	11
TPP PL 500-16 3525	500	506	16	105	5	3525	81.5	470	65	178	8.5	8	-	445	200	26	24	52	48	13	12
TPP PL 560-16 3525	560	566	16	105	5	3525	81.5	530	65	178	8.5	8	-	505	200	28	26	56	52	14	13
TPP PL 630-16 3525	630	636	16	105	5	3525	81.5	590	65	170	8.5	8	-	565	200	30	28	60	56	15	14
TPP PL 800-16 4030	800	806	16	120	5	4030	81.5	760	76	216	3.0	2.5	-	735	240	32	30	64	60	16	15

Poly-V (8-groove, PM Section Pulleys)



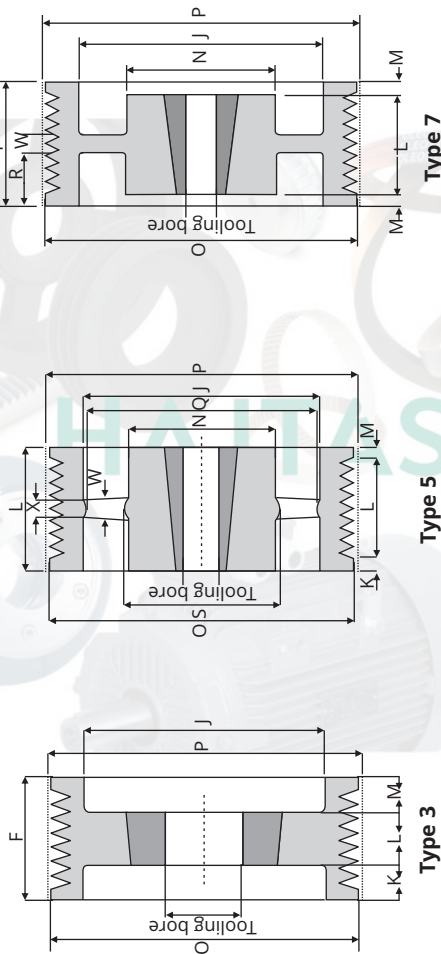
Part Number	Outer Dia (O) (mm)	Pitch Dia (P) (mm)	No. of Grooves	Tooling Bore (mm)	Pulley Type	Bush Size	F	J	L	N	M	K	R	Q	S	W	X	Y	Z	R1	R2
TPP PM 180-08 3020	180	188	8	80	2	3020	81	140	51	-	30	-	-	-	-	-	-	-	-	-	-
TPP PM 200-08 3020	200	208	8	80	2	3020	81	160	51	-	30	-	-	-	-	-	-	-	-	-	-
TPP PM 224-08 3020	224	232	8	80	2	3020	81	184	51	-	30	-	-	-	-	-	-	-	-	-	-
TPP PM 250-08 3020	250	258	8	80	2	3020	81	210	51	-	30	-	-	-	-	-	-	-	-	-	-
TPP PM 315-08 3525	315	323	8	105	7	3525	81	275	65	178	8.0	8.0	25	-	-	30	-	-	-	-	-
TPP PM 355-08 3525	355	363	8	105	7	3525	81	315	65	178	8.0	8.0	25	-	-	30	-	-	-	-	-
TPP PM 375-08 3525	375	383	8	105	5	3525	81	335	65	178	8.0	8.0	-	310	200	24	22	48	44	12	11
TPP PM 400-08 3525	400	408	8	105	5	3525	81	360	65	178	8.0	8.0	-	335	200	24	22	48	44	12	11
TPP PM 425-08 3525	425	433	8	105	5	3525	81	385	65	178	8.0	8.0	-	360	200	24	22	48	44	12	11
TPP PM 450-08 3525	450	458	8	105	5	3525	81	410	65	178	8.0	8.0	-	385	200	25	23	50	46	12	11
TPP PM 475-08 3525	475	483	8	105	5	3525	81	435	65	178	8.0	8.0	-	410	200	25	23	50	46	12	11
TPP PM 500-08 3525	500	508	8	105	5	3525	81	460	65	178	8.0	8.0	-	435	200	26	24	52	48	13	12
TPP PM 530-08 4030	530	538	8	120	5	4030	81	490	76	216	2.5	2.5	-	465	240	28	26	56	52	14	13
TPP PM 560-08 4030	560	568	8	120	5	4030	81	520	76	216	2.5	2.5	-	495	240	28	26	56	52	14	13
TPP PM 630-08 4030	630	638	8	120	5	4030	81	590	76	216	2.5	2.5	-	565	240	30	28	60	56	15	14
TPP PM 800-08 4030	800	808	8	120	5	4030	81	750	76	216	2.5	2.5	-	725	240	32	30	64	60	16	15
TPP PM 1000-08 4535	1000	1008	8	130	4	4535	81	950	89	242	4.0	4.0	-	925	265	36	34	72	68	18	17

Poly-V (12-grooves, PM Section Pulleys)



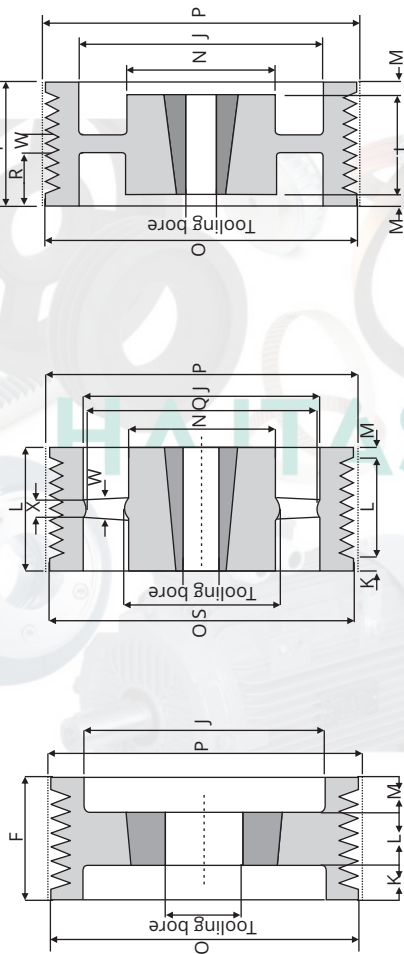
Part Number	Outer Dia (O) (mm)	Pitch Dia (P) (mm)	No. of Grooves	Tooling Bore (mm)	Pull Type	Bush Size	F	J	L	N	M	K	R	Q	S	W	X	Y	Z	R1	R2
TPPPM 180-12 3020	180	188	12	80	3	3020	118.5	140	51	-	37.5	30.0	-	-	-	-	-	-	-	-	-
TPPPM 200-12 3535	200	208	12	105	3	3535	118.5	160	89	-	15.0	14.5	-	-	-	-	-	-	-	-	-
TPPPM 224-12 3535	224	232	12	105	3	3535	118.5	184	39	-	15.0	14.5	-	-	-	-	-	-	-	-	-
TPPPM 250-12 3535	250	258	12	105	3	3535	118.5	210	89	-	15.0	14.5	-	-	-	-	-	-	-	-	-
TPPPM 315-12 3535	315	323	12	105	7	3535	118.5	275	89	178	15.0	14.5	42	-	-	35	-	-	-	-	-
TPPPM 355-12 3535	355	363	12	105	7	3535	118.5	315	89	178	15.0	14.5	42	-	-	35	-	-	-	-	-
TPPPM 375-12 3535	375	383	12	105	5	3535	118.5	335	89	178	15.0	14.5	-	310	200	24	22	48	44	12	11
TPPPM 400-12 3535	400	408	12	105	5	3535	118.5	366	89	178	15.0	14.5	-	335	200	26	24	52	48	13	12
TPPPM 425-12 4040	425	433	12	120	5	4040	118.5	385	102	216	8.5	8.0	-	360	240	26	24	52	48	13	12
TPPPM 450-12 4040	450	458	12	120	5	4040	118.5	410	102	216	8.5	8.0	-	385	240	26	24	52	48	13	12
TPPPM 475-12 4040	475	483	12	120	5	4040	118.5	435	102	216	8.5	8.0	-	410	240	28	26	56	52	14	13
TPPPM 500-12 4040	500	508	12	120	5	4040	118.5	460	102	216	8.5	8.0	-	435	240	28	26	56	52	14	13
TPPPM 530-12 4545	530	538	12	130	5	4545	118.5	490	114	242	2.5	2.0	-	465	265	28	26	56	52	14	13
TPPPM 560-12 4545	560	560	12	130	5	4545	118.5	520	114	242	2.5	2.0	-	495	265	28	26	56	52	14	13
TPPPM 630-12 5040	630	638	12	145	5	5040	118.5	590	102	267	8.7	8.3	-	565	290	30	28	60	56	15	14
TPPPM 800-12 5040	800	808	12	145	5	5040	118.5	750	102	267	8.7	8.3	-	725	290	36	34	72	68	18	17
TPPPM 1000-12 5040	1000	1008	12	145	5	5040	118.5	950	102	267	8.7	8.3	-	925	290	38	36	76	72	19	18

Poly-V (16-grooves, PM Section Pulleys)



Part Number	Outer Dia (O) (mm)	Pitch Dia (P) (mm)	No. of Grooves	Tooling Bore (mm)	Pull -ey Type	Bush Size	F	J	L	N	M	K	R	Q	S	W	X	Y	Z	R1	R2
TPPPM 180-16 3030	180	188	16	80	3	3030	156	140	76	-	48	32	-	-	-	-	-	-	-	-	-
TPPPM 200-16 3535	200	208	16	105	3	3535	156	160	89	-	35	32	-	-	-	-	-	-	-	-	-
TPPPM 224-16 3535	224	232	16	105	3	3535	156	184	89	-	35	32	-	-	-	-	-	-	-	-	-
TPPPM 250-16 3535	250	258	16	105	3	3535	156	210	89	-	35	32	-	-	-	-	-	-	-	-	-
TPPPM 315-16 3535	315	323	16	105	7	3535	156	275	89	178	35	32	60	-	-	35	-	-	-	-	-
TPPPM 355-16 3535	355	363	16	105	7	3535	156	315	89	178	35	32	60	-	-	35	-	-	-	-	-
TPPPM 375-16 4040	375	383	16	120	7	4040	156	335	102	216	27	27	58	-	-	40	-	-	-	-	-
TPPPM 400-16 4040	400	408	16	120	7	4040	156	360	102	216	27	27	58	-	-	40	-	-	-	-	-
TPPPM 425-16 4545	425	433	16	130	7	4545	156	385	114	242	21	21	58	-	-	40	-	-	-	-	-
TPPPM 450-16 4545	450	458	16	130	5	4545	156	410	114	242	21	21	-	385	265	28	26	56	52	14	13
TPPPM 475-16 4545	475	483	16	130	5	4545	156	435	114	242	21	21	-	410	265	30	28	60	56	15	14
TPPPM 500-16 4545	500	508	16	130	5	4545	156	460	114	242	21	21	-	435	265	30	28	60	56	15	14
TPPPM 530-16 5050	530	538	16	145	5	5050	156	490	127	267	15	14	-	465	290	32	30	64	60	16	15
TPPPM 560-16 5050	560	568	16	145	5	5050	156	520	127	267	15	14	-	495	290	32	30	64	60	16	15
TPPPM 630-16 5050	630	638	16	145	5	5050	156	590	127	267	15	14	-	565	290	34	32	68	64	17	16
TPPPM 800-16 5050	800	808	16	145	5	5050	156	750	127	267	15	14	-	725	290	38	36	76	72	19	18
TPPPM 1000-16 5050	1000	1008	16	145	5	5050	156	950	127	267	15	14	-	925	290	40	38	80	76	20	19

Poly-V (20-groove, PM Section Pulleys)



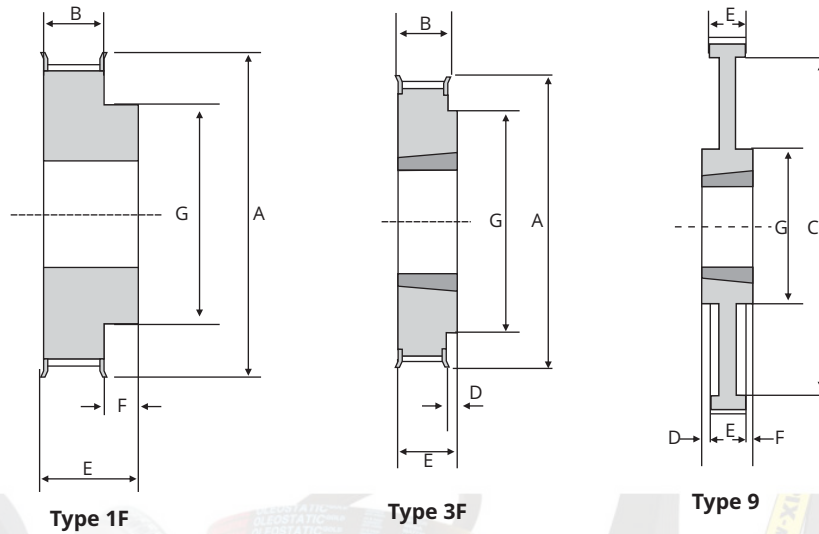
Type 7

Type 5

Type 3

Part Number	Outer Dia (O) (mm)	Pitch Dia (P) (mm)	No. of Grooves	Tooling Bore (mm)	Pull Type	Bush Size	F	J	L	N	M	K	R	Q	S	W	X	Y	Z	R1	R2
TPP PM 180-20 3030	180	188	20	80	3	3030	194	140	76	-	80	38	-	-	-	-	-	-	-	-	-
TPP PM 200-20 3535	200	208	20	105	3	3535	194	160	89	-	60	45	-	-	-	-	-	-	-	-	-
TPP PM 224-20 3535	224	232	20	105	3	3535	194	184	89	-	60	45	-	-	-	-	-	-	-	-	-
TPP PM 250-20 3535	250	258	20	105	3	3535	194	210	89	-	60	45	-	-	-	-	-	-	-	-	-
TPP PM 315-20 4040	315	323	20	120	3	4040	194	275	102	-	46	46	-	-	-	-	-	-	-	-	-
TPP PM 355-20 4040	355	363	20	120	7	4040	194	315	102	216	46	46	77	-	-	40	-	-	-	-	-
TPP PM 375-20 4545	375	383	20	130	7	4545	194	335	114	242	40	40	77	-	-	40	-	-	-	-	-
TPP PM 400-20 4545	400	408	20	130	7	4545	194	360	114	242	40	40	77	-	-	40	-	-	-	-	-
TPP PM 425-20 5050	425	433	20	145	7	5050	194	385	127	267	34	33	72	-	-	50	-	-	-	-	-
TPP PM 450-20 5050	450	458	20	145	7	5050	194	410	127	267	34	33	72	-	-	50	-	-	-	-	-
TPP PM 475-20 5050	475	483	20	145	5	5050	194	435	127	267	34	33	-	410	290	32	30	64	60	16	15
TPP PM 500-20 5050	500	508	20	145	5	5050	194	460	127	267	34	33	-	435	290	32	30	64	60	16	15
TPP PM 530-20 5050	530	538	20	145	5	5050	194	490	127	267	34	33	-	465	290	34	32	68	64	17	16
TPP PM 560-20 5050	560	568	20	145	5	5050	194	520	127	267	34	33	-	495	290	34	32	68	64	17	16
TPP PM 630-20 5050	630	638	20	145	5	5050	194	590	127	267	34	33	-	565	290	36	34	72	68	18	17
TPP PM 800-20 5050	800	808	20	145	5	5050	194	750	127	267	34	33	-	725	290	40	38	90	76	20	19
TPP PM 1000-20 5050	1000	1008	20	145	5	5050	194	950	127	267	34	33	-	925	290	44	42	88	84	22	21

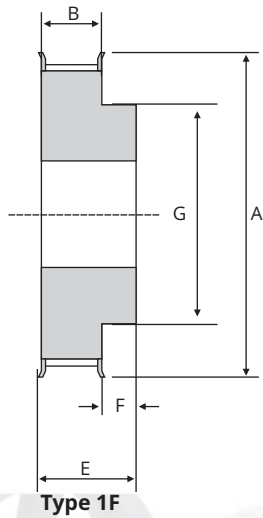
L050- 1/2" (13mm) wide Belts



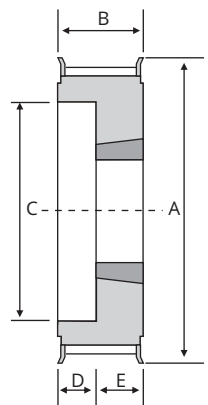
Part Number	Pitch Dia (P) (mm)	No. of Teeth	Bush No.	Max. Bore		Pulley Type	A (mm)	B (mm)	C (mm)	D (mm)	E (mm)	F (mm)	G (mm)
				Met. (mm)	Imp. (inches)								
TTP 14 L 13 *	42.45	14	Pitch bore 10mm	19.0	-	1F	49.0	19.0	-	-	30.0	11.0	32.0
TTP 15 L 13 *	45.48	15		22.0	-	1F	52.0	19.0	-	-	30.0	11.0	35.0
TTP 16 L 13 *	48.51	16		25.0	-	1F	56.0	19.0	-	-	30.0	11.0	38.0
TTP 17 L 13 *	51.54	17		25.0	-	1F	57.0	19.0	-	-	30.0	11.0	38.0
TTP 18 L 13 1108	54.57	18	1108	28.0	1 1/8	3F	67.0	19.0	-	3.0	22.0	-	46.0
TTP 19 L 13 1108	57.61	19	1108	28.0	1 1/8	3F	67.0	19.0	-	3.0	22.0	-	46.0
TTP 20 L 13 1108	60.64	20	1108	28.0	1 1/8	3F	67.0	19.0	-	3.0	22.0	-	46.0
TTP 21 L 13 1108	63.67	21	1108	28.0	1 1/8	3F	70.0	19.0	-	3.0	22.0	-	48.0
TTP 22 L 13 1108	66.70	22	1108	28.0	1 1/8	3F	75.0	19.0	-	3.0	22.0	-	51.0
TTP 23 L 13 1108	69.73	23	1108	28.0	1 1/8	3F	79.0	19.0	-	3.0	22.0	-	54.0
TTP 24 L 13 1108	72.77	24	1108	28.0	1 1/8	3F	79.0	19.0	-	3.0	22.0	-	54.0
TTP 25 L 13 1108	75.80	25	1108	28.0	1 1/8	3F	83.0	19.0	-	3.0	22.0	-	54.0
TTP 26 L 13 1108	78.83	26	1108	28.0	1 1/8	3F	86.0	19.0	-	3.0	22.0	-	60.0
TTP 27 L 13 1108	81.86	27	1108	28.0	1 1/8	3F	90.0	19.0	-	3.0	22.0	-	64.0
TTP 28 L 13 1108	84.89	28	1108	28.0	1 1/8	3F	90.0	19.0	-	3.0	22.0	-	64.0
TTP 30 L 13 1108	90.96	30	1108	28.0	1 1/8	3F	98.0	19.0	-	3.0	22.0	-	73.0
TTP 32 L 13 1108	97.02	32	1108	28.0	1 1/8	3F	103.0	19.0	-	3.0	25.0	-	76.0
TTP 36 L 13 1108	109.15	36	1108	28.0	1 1/8	3F	114.0	19.0	-	3.0	25.0	-	76.0
TTP 40 L 13 1610	121.25	40	1610	42.0	1 5/8	3F	127.0	19.0	-	3.0	25.0	-	89.0
TTP 48 L 13 1610	145.53	48	1610	42.0	1 5/8	3F	151.0	19.0	-	3.0	25.0	-	114.0
TTP 60 L 13 1610	181.91	60	1610	42.0	1 5/8	9	-	19.0	165.0	3.0	25.0	3.0	92.0
TTP 72 L 13 1610	218.30	72	1610	42.0	1 5/8	9	-	19.0	202.0	3.0	25.0	3.0	92.0
TTP 84 L 13 1610	254.68	84	1610	42.0	1 5/8	9	-	19.0	238.0	3.0	25.0	3.0	92.0
TTP 96 L 13 2012	291.06	96	2012	50.0	1 5/8	9	-	19.0	275.0	6.5	32.0	6.5	111.0
TTP 120 L 13 2012	363.83	120	2012	50.0	2	9	-	19.0	344.0	6.5	32.0	6.5	111.0

Met.: Metric, Imp.: Imperial, Dia.: Diameter, Max.: Maximum
 * stands for Pilot bore

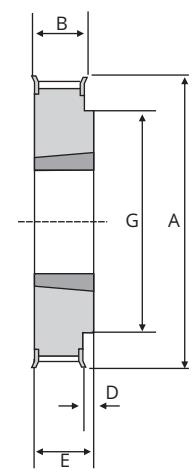
L075- 3/4" (19mm) wide Belts



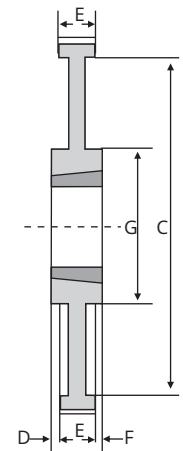
Type 1F



Type 4F



Type 3F

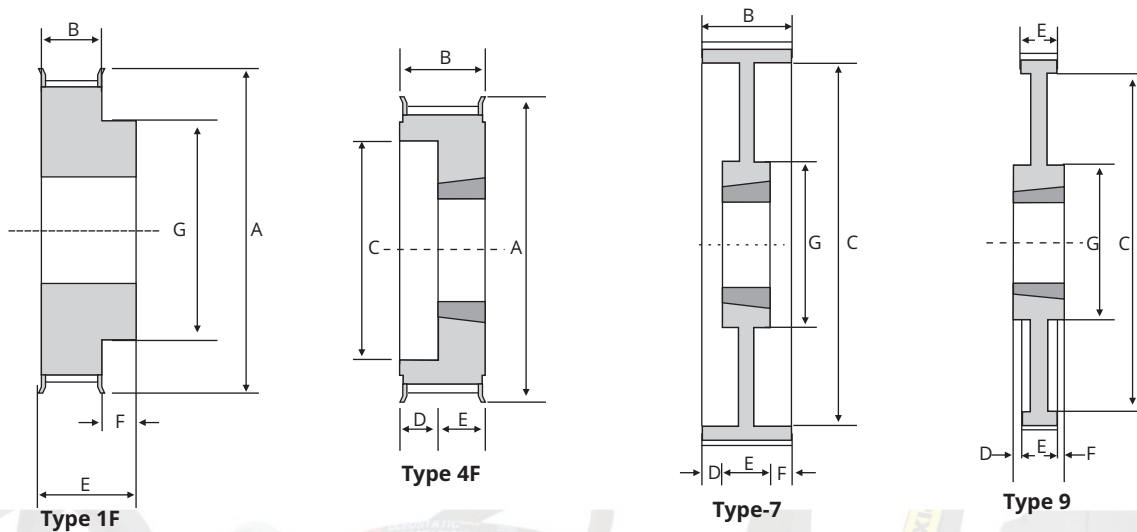


Type 9

Part Number	Pitch Dia (P) (mm)	No. of Teeth	Bush No.	Max. Bore		Pulley Type	A (mm)	B (mm)	C (mm)	D (mm)	E (mm)	F (mm)	G (mm)
				Met. (mm)	Imp. (inches)								
TTP 14 L 19 *	42.45	14	Pitch bore 10mm	19.0	-	1F	49.0	25.0	-	-	37.0	12.0	32.0
TTP 15 L 19 *	45.48	15		22.0	-	1F	52.0	25.0	-	-	37.0	12.0	35.0
TTP 16 L 19 *	48.51	16		25.0	-	1F	56.0	25.0	-	-	37.0	12.0	38.0
TTP 17 L 19 *	51.54	17		25.0	-	1F	57.0	25.0	-	-	37.0	12.0	38.0
TTP 18 L 19 1108	54.57	18	1108	28.0	1 1/8	4F	67.0	25.0	-	3.00	22.0	-	-
TTP 19 L 19 1108	57.61	19	1108	28.0	1 1/8	4F	67.0	25.0	-	3.00	22.0	-	-
TTP 20 L 19 1108	60.64	20	1108	28.0	1 1/8	4F	67.0	25.0	-	3.00	22.0	-	-
TTP 21 L 19 1108	63.67	21	1108	28.0	1 1/8	4F	70.0	25.0	-	3.00	22.0	-	-
TTP 22 L 19 1108	66.70	22	1108	28.0	1 1/8	4F	75.0	25.0	-	3.00	22.0	-	-
TTP 23 L 19 1108	69.73	23	1108	28.0	1 1/8	4F	79.0	25.0	-	3.00	22.0	-	-
TTP 24 L 19 1108	72.77	24	1108	28.0	1 1/8	4F	79.0	25.0	-	3.00	22.0	-	-
TTP 25 L 19 1108	75.80	25	1108	28.0	1 1/8	4F	83.0	25.0	-	3.00	22.0	-	-
TTP 26 L 19 1108	78.83	26	1108	28.0	1 1/8	4F	86.0	25.0	-	3.00	22.0	-	-
TTP 27 L 19 1108	81.86	27	1108	28.0	1 1/8	4F	90.0	25.0	-	3.00	22.0	-	-
TTP 28 L 19 1108	84.89	28	1108	28.0	1 1/8	4F	90.0	25.0	-	3.00	22.0	-	-
TTP 30 L 19 1108	90.96	30	1108	28.0	1 1/8	4F	98.0	25.0	-	3.00	22.0	-	-
TTP 32 L 19 1108	97.02	32	1108	28.0	1 1/8	4F	103.0	25.0	-	3.00	22.0	-	-
TTP 36 L 19 1108	109.15	36	1108	28.0	1 5/8	3F	114.0	25.0	-	0.00	25.0	-	-
TTP 40 L 19 1610	121.25	40	1610	42.0	1 5/8	3F	127.0	25.0	-	0.00	25.0	-	-
TTP 48 L 19 1610	145.53	48	1610	42.0	1 5/8	3F	151.0	25.0	-	0.00	25.0	-	-
TTP 60 L 19 1610	181.91	60	1610	42.0	1 5/8	9	-	25.0	165.0	0.00	25.0	0.0	92.0
TTP 72 L 19 1610	218.30	72	1610	42.0	1 5/8	9	-	25.0	202.0	0.00	25.0	0.0	92.0
TTP 84 L 19 1610	254.68	84	1610	42.0	1 5/8	9	-	25.0	238.0	3.50	32.0	3.5	92.0
TTP 96 L 19 2012	291.06	96	2012	50.0	1 5/8	9	-	25.0	275.0	3.50	32.0	3.5	111.0
TTP 120 L 19 2012	363.83	120	2012	50.0	2	9	-	25.0	344.0	3.50	32.0	3.5	111.0

Met.: Metric, Imp.: Imperial, Dia.: Diameter, Max.: Maximum
 * stands for Pilot bore

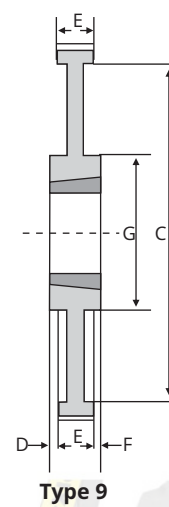
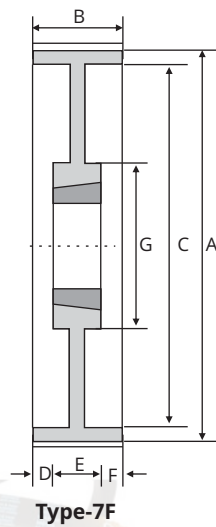
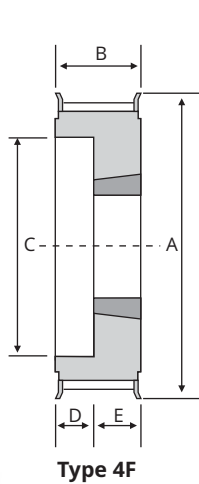
L100-1" (25mm) wide Belts



Part Number	Pitch Dia (P) (mm)	No. of Teeth	Bush No.	Max. Bore		Pulley Type	A (mm)	B (mm)	C (mm)	D (mm)	E (mm)	F (mm)	G (mm)
				Met. (mm)	Imp. (inches)								
TTP 14 L 25 *	42.45	14	Pitch bore 10mm	19.0	-	1F	49.0	32.0	-	-	37.0	11.0	32.0
TTP 15 L 25 *	45.48	15		22.0	-	1F	52.0	32.0	-	-	37.0	11.0	35.0
TTP 16 L 25 *	48.51	16		25.0	-	1F	56.0	32.0	-	-	37.0	11.0	38.0
TTP 17 L 25 *	51.54	17		25.0	-	1F	57.0	32.0	-	-	37.0	11.0	38.0
TTP 18 L 25 1108	54.57	18	1108	28.0	1 1/8	4F	67.0	32.0	38.0	10.0	22.0	-	-
TTP 19 L 25 1108	57.61	19	1108	28.0	1 1/8	4F	67.0	32.0	38.0	10.0	22.0	-	-
TTP 20 L 25 1108	60.64	20	1108	28.0	1 1/8	4F	67.0	32.0	38.0	10.0	22.0	-	-
TTP 21 L 25 1108	63.67	21	1108	28.0	1 1/8	4F	70.0	32.0	38.0	10.0	22.0	-	-
TTP 22 L 25 1108	66.70	22	1108	28.0	1 1/8	4F	75.0	32.0	48.0	10.0	22.0	-	-
TTP 23 L 25 1108	69.73	23	1108	28.0	1 1/8	4F	79.0	32.0	48.0	10.0	22.0	-	-
TTP 24 L 25 1108	72.77	24	1108	28.0	1 1/8	4F	79.0	32.0	48.0	10.0	22.0	-	-
TTP 25 L 25 1108	75.80	25	1108	28.0	1 1/8	4F	83.0	32.0	45.0	10.0	22.0	-	-
TTP 26 L 25 1108	78.83	26	1108	28.0	1 1/8	4F	86.0	32.0	45.0	10.0	22.0	-	-
TTP 27 L 25 1108	81.86	27	1108	28.0	1 1/8	4F	90.0	32.0	45.0	10.0	22.0	-	-
TTP 28 L 25 1108	84.89	28	1108	28.0	1 1/8	4F	90.0	32.0	45.0	10.0	22.0	-	-
TTP 30 L 25 1108	90.96	30	1108	28.0	1 1/8	4F	98.0	32.0	52.0	7.0	22.0	-	-
TTP 32 L 25 1108	97.02	32	1108	28.0	1 1/8	4F	103.0	32.0	52.0	7.0	22.0	-	-
TTP 36 L 25 1108	109.15	36	1108	28.0	1 5/8	4F	114.0	32.0	76.0	7.0	25.0	-	-
TTP 40 L 25 1610	121.25	40	1610	42.0	1 5/8	4F	127.0	32.0	89.0	7.0	25.0	-	-
TTP 48 L 25 1610	145.53	48	1610	42.0	1 5/8	4F	151.0	32.0	108.0	7.0	25.0	-	-
TTP 60 L 25 1610	181.91	60	1610	42.0	1 5/8	7	-	32.0	165.0	3.5	25.0	3.5	92.0
TTP 72 L 25 1610	218.30	72	1610	42.0	2	9	-	32.0	202.0	0.0	25.0	0.0	92.0
TTP 84 L 25 1610	254.68	84	1610	42.0	2	9	-	32.0	238.0	0.0	32.0	0.0	92.0
TTP 96 L 25 2012	291.06	96	2012	50.0	2	9	-	32.0	275.0	0.0	32.0	0.0	111.0
TTP 120 L 25 2012	363.83	120	2012	50.0	2	9	-	32.0	344.0	0.0	32.0	0.0	111.0

Met.: Metric, Imp.: Imperial, Dia.: Diameter, Max.: Maximum
 * stands for Pilot bore

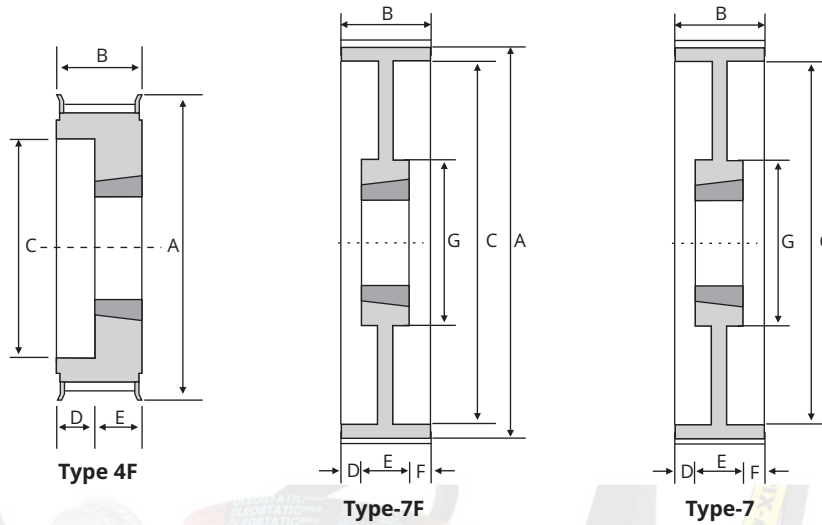
H100 - 3/4" (19mm) & 1" (25mm) wide Belts



Part Number	Pitch Dia (P) (mm)	No. of Teeth	Bush No.	Max. Bore		Pulley Type	A (mm)	B (mm)	C (mm)	D (mm)	E (mm)	F (mm)	G (mm)
				Met. (mm)	Imp. (inches)								
TTP 18 H 19 1210	72.77	18	1210	32.0	1 1/4	4F	79.0	32.0	51.0	7.0	25.0	-	-
TTP 19 H 19 1210	76.81	19	1210	32.0	1 1/4	4F	83.0	32.0	51.0	7.0	25.0	-	-
TTP 20 H 19 1210	80.85	20	1210	32.0	1 1/4	4F	86.0	32.0	57.0	7.0	25.0	-	-
TTP 21 H 19 1210	84.89	21	1210	32.0	1 1/4	4F	90.0	32.0	52.0	7.0	25.0	-	-
TTP 22 H 19 1210	88.84	22	1210	32.0	1 1/4	4F	95.0	32.0	52.0	7.0	25.0	-	-
TTP 23 H 19 1610	92.98	23	1610	42.0	1 5/8	4F	98.0	32.0	64.0	7.0	25.0	-	-
TTP 24 H 19 1610	97.02	24	1610	42.0	1 5/8	4F	103.0	32.0	64.0	7.0	25.0	-	-
TTP 25 H 19 1610	101.06	25	1610	42.0	1 5/8	4F	106.0	32.0	64.0	7.0	25.0	-	-
TTP 26 H 19 1610	105.11	26	1610	42.0	1 5/8	4F	111.0	32.0	70.0	7.0	25.0	-	-
TTP 27 H 19 1610	109.15	27	1610	42.0	1 5/8	4F	114.0	32.0	76.0	7.0	25.0	-	-
TTP 28 H 19 1610	113.19	28	1610	42.0	1 5/8	4F	119.0	32.0	81.0	7.0	25.0	-	-
TTP 30 H 19 1610	121.28	30	1610	42.0	1 5/8	4F	127.0	32.0	89.0	7.0	25.0	-	-
TTP 32 H 19 1610	129.36	32	1610	42.0	1 5/8	4F	135.0	32.0	95.0	7.0	25.0	-	-
TTP 36 H 19 1610	145.53	36	1610	42.0	1 5/8	4F	151.0	32.0	111.0	7.0	25.0	-	-
TTP 40 H 19 1610	161.70	40	1610	42.0	1 5/8	4F	168.0	32.0	130.0	7.0	25.0	-	-
TTP 48 H 19 2012	194.04	48	2012	50.0	2	7F	200.0	32.0	162.0	0.0	32.0	0.0	111.0
TTP 50 H 19 2012	242.55	50	2012	50.0	2	9	-	32.0	210.0	0.0	32.0	0.0	111.0
TTP 72 H 19 2012	291.06	72	2012	50.0	2	9	-	32.0	257.0	0.0	32.0	0.0	111.0
TTP 84 H 19 2012	339.57	84	2012	50.0	2	9	-	32.0	306.0	0.0	32.0	0.0	111.0
TTP 96 H 19 2517	388.08	96	2517	60.0	2 1/2	9	-	32.0	354.0	6.5	45.0	6.5	124.0
TTP 120 H 19 2517	485.10	120	2517	60.0	2 1/2	9	-	32.0	451.0	6.5	45.0	6.5	124.0
TTP 156 H 19 2517	630.64	156	2517	60.0	2 1/2	9	-	32.0	597.0	6.5	45.0	6.5	124.0

Met.: Metric, Imp.: Imperial, Dia.: Diameter, Max.: Maximum

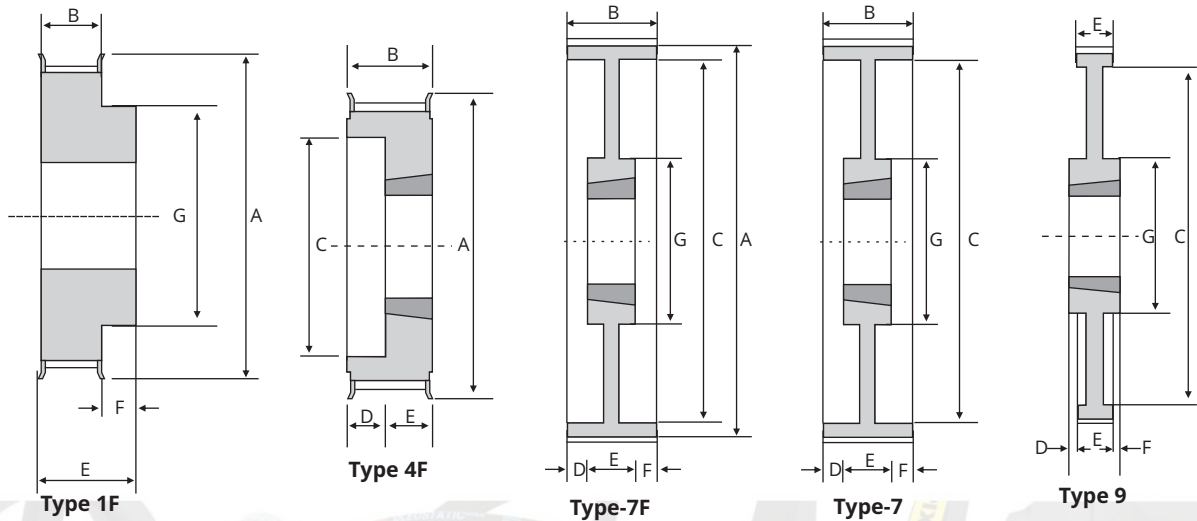
H150- 1 1/2" (38mm) wide Belts



Part Number	Pitch Dia (P) (mm)	No. of Teeth	Bush No.	Max. Bore		Pulley Type	A (mm)	B (mm)	C (mm)	D (mm)	E (mm)	F (mm)	G (mm)
				Met. (mm)	Imp. (inches)								
TTP 18 H 38 1210	72.77	18	1210	32.0	1 1/4	4F	79.0	45.0	51.0	20.0	25.0	-	-
TTP 19 H 38 1210	76.81	19	1210	32.0	1 1/4	4F	83.0	45.0	51.0	20.0	25.0	-	-
TTP 20 H 38 1210	80.85	20	1210	32.0	1 1/4	4F	86.0	45.0	57.0	20.0	25.0	-	-
TTP 21 H 38 1210	84.89	21	1210	32.0	1 1/4	4F	90.0	45.0	52.0	20.0	25.0	-	-
TTP 22 H 38 1210	88.84	22	1210	32.0	1 1/4	4F	95.0	45.0	52.0	20.0	25.0	-	-
TTP 23 H 38 1610	92.98	23	1610	42.0	1 5/8	4F	98.0	45.0	64.0	20.0	25.0	-	-
TTP 24 H 38 1610	97.02	24	1610	42.0	1 5/8	4F	103.0	45.0	64.0	20.0	25.0	-	-
TTP 25 H 38 1610	101.06	25	1610	42.0	1 5/8	4F	106.0	45.0	64.0	20.0	25.0	-	-
TTP 26 H 38 1610	105.11	26	1610	42.0	1 5/8	4F	111.0	45.0	70.0	20.0	25.0	-	-
TTP 27 H 38 1610	109.15	27	1610	42.0	1 5/8	4F	114.0	45.0	76.0	20.0	25.0	-	-
TTP 28 H 38 1610	113.19	28	1610	42.0	1 5/8	4F	119.0	45.0	81.0	20.0	25.0	-	-
TTP 30 H 38 1610	121.28	30	1610	42.0	1 5/8	4F	127.0	45.0	89.0	20.0	25.0	-	-
TTP 32 H 38 1610	129.36	32	1610	42.0	1 5/8	4F	135.0	45.0	95.0	20.0	25.0	-	-
TTP 36 H 38 1610	145.53	36	1610	42.0	1 5/8	4F	151.0	45.0	111.0	20.0	25.0	-	-
TTP 40 H 38 1610	161.70	40	1610	42.0	1 5/8	4F	168.0	45.0	130.0	20.0	25.0	-	-
TTP 48 H 38 2012	194.04	48	2012	50.0	2	7F	200.0	45.0	162.0	6.5	32.0	6.5	111.0
TTP 50 H 38 2012	242.55	50	2012	50.0	2	7	-	48.0	210.0	8.0	32.0	8.0	111.0
TTP 72 H 38 2012	291.06	72	2012	50.0	2	7	-	48.0	257.0	8.0	32.0	8.0	111.0
TTP 84 H 38 2012	339.57	84	2012	50.0	2	7	-	48.0	306.0	8.0	32.0	8.0	111.0
TTP 96 H 38 2517	388.08	96	2517	60.0	2 1/2	7	-	48.0	354.0	1.5	45.0	1.5	124.0
TTP 120 H 38 2517	485.10	120	2517	60.0	2 1/2	7	-	48.0	451.0	1.5	45.0	1.5	124.0
TTP 156 H 38 2517	630.64	156	2517	60.0	2 1/2	7	-	48.0	597.0	1.5	45.0	1.5	124.0

Met.: Metric, Imp.: Imperial, Dia.: Diameter, Max.: Maximum

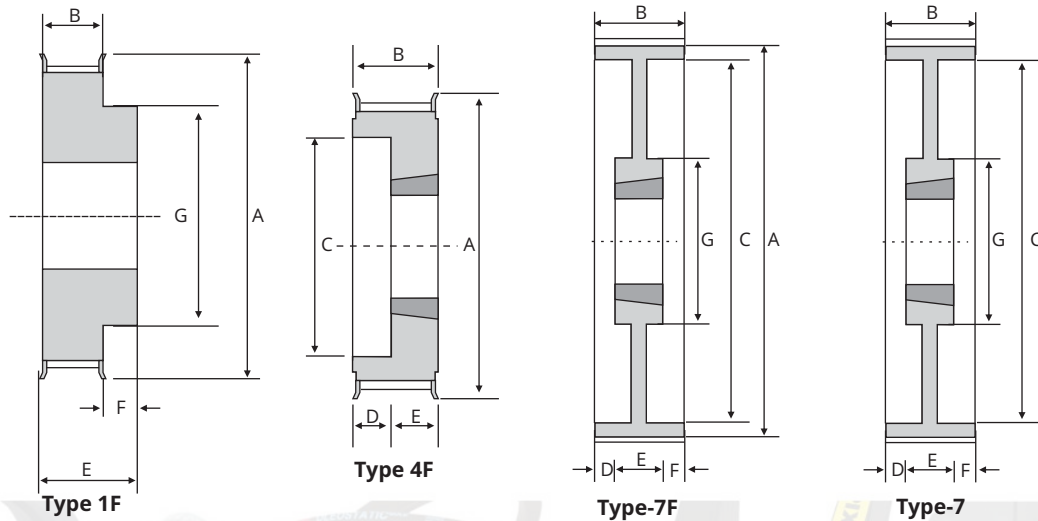
H200 - 2" (51mm) wide Belts



Part Number	Pitch Dia (P) (mm)	No. of Teeth	Bush No.	Max. Bore		Pulley Type	A (mm)	B (mm)	C (mm)	D (mm)	E (mm)	F (mm)	G (mm)
				Met. (mm)	Imp. (inches)								
TTP 18 H 51 *	72.77	18	Only Pilot bore	42.0	-	1F	79.0	58.0	-	-	58.0	0.0	-
TTP 19 H 51 *	76.81	19		42.0	-	1F	83.0	58.0	-	-	58.0	0.0	-
TTP 20 H 51 *	80.85	20		42.0	-	1F	86.0	58.0	-	-	58.0	0.0	-
TTP 21 H 51 1610	84.89	21	1610	42.0	1 5/8	4F	90.0	58.0	59.0	33.0	25.0	-	-
TTP 22 H 51 1210	88.84	22	1210	42.0	1 5/8	4F	95.0	58.0	64.0	33.0	25.0	-	-
TTP 23 H 51 1610	92.98	23	1610	42.0	1 5/8	4F	98.0	58.0	64.0	33.0	25.0	-	-
TTP 24 H 51 1610	97.02	24	1610	42.0	1 5/8	4F	103.0	58.0	64.0	33.0	25.0	-	-
TTP 25 H 51 1610	101.06	25	1610	42.0	1 5/8	4F	106.0	58.0	64.0	33.0	25.0	-	-
TTP 26 H 51 1610	105.11	26	1610	42.0	1 5/8	4F	111.0	58.0	70.0	33.0	25.0	-	-
TTP 27 H 51 1610	109.15	27	1610	42.0	1 5/8	4F	114.0	58.0	76.0	33.0	25.0	-	-
TTP 28 H 51 1610	113.19	28	1610	42.0	1 5/8	4F	119.0	58.0	76.0	33.0	25.0	-	-
TTP 30 H 51 1610	121.28	30	1610	42.0	1 5/8	4F	127.0	58.0	89.0	33.0	25.0	-	-
TTP 32 H 51 2012	129.36	32	2012	50.0	2	4F	135.0	58.0	97.0	26.0	32.0	-	-
TTP 36 H 51 2012	145.53	36	2012	50.0	2	4F	151.0	58.0	111.0	26.0	32.0	-	-
TTP 40 H 51 2012	161.70	40	2012	50.0	2	4F	168.0	58.0	130.0	26.0	32.0	-	-
TTP 48 H 51 2517	194.04	48	2517	60.0	2 1/2	7F	200.0	58.0	162.0	6.5	45.0	6.5	124.0
TTP 50 H 51 2517	242.55	50	2517	60.0	2 1/2	7	-	59.0	210.0	7.0	45.0	7.0	124.0
TTP 72 H 51 2517	291.06	72	2517	60.0	2 1/2	7	-	59.0	257.0	7.0	45.0	7.0	124.0
TTP 84 H 51 2517	339.57	84	2517	60.0	2 1/2	7	-	59.0	306.0	7.0	45.0	7.0	124.0
TTP 96 H 51 2517	388.08	96	2517	60.0	2 1/2	7	-	59.0	354.0	7.0	45.0	7.0	124.0
TTP 120 H 51 2517	485.10	120	2517	60.0	2 1/2	7	-	59.0	451.0	7.0	45.0	7.0	146.0
TTP 156 H 51 3030	630.64	156	3030	75.0	3	9	-	59.0	597.0	8.5	75.0	8.5	146.0

Met.: Metric, Imp.: Imperial, Dia.: Diameter, Max.: Maximum
 * stands for Pilot bore

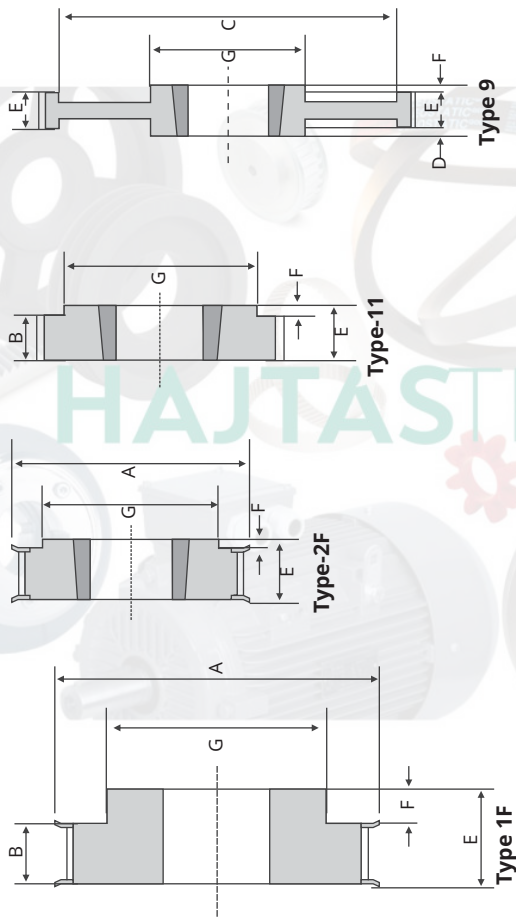
H300 -3" (76mm) wide Belts



Part Number	Pitch Dia (P) (mm)	No. of Teeth	Bush No.	Max. Bore		Pulley Type	A (mm)	B (mm)	C (mm)	D (mm)	E (mm)	F (mm)	G (mm)
				Met. (mm)	Imp. (inches)								
TTP 18 H 76 *	72.77	18	Pilot bore 25mm	42.0	-	1F	79.0	84.0	-	-	84.0	0.0	-
TTP 19 H 76 *	76.81	19		42.0	-	1F	83.0	84.0	-	-	84.0	0.0	-
TTP 20 H 76 *	80.85	20		42.0	-	1F	86.0	84.0	-	-	84.0	0.0	-
TTP 21 H 76 1615	84.89	21	1615	42.0	1 5/8	4F	90.0	84.0	59.0	46.0	38.0	-	-
TTP 22 H 76 1615	88.84	22	1615	42.0	1 5/8	4F	95.0	84.0	64.0	46.0	38.0	-	-
TTP 23 H 76 1615	92.98	23	1615	42.0	1 5/8	4F	98.0	84.0	64.0	46.0	38.0	-	-
TTP 24 H 76 1615	97.02	24	1615	42.0	1 5/8	4F	103.0	84.0	64.0	46.0	38.0	-	-
TTP 25 H 76 1615	101.06	25	1615	42.0	1 5/8	4F	106.0	84.0	64.0	46.0	38.0	-	-
TTP 26 H 76 1615	105.11	26	1615	42.0	1 5/8	4F	111.0	84.0	70.0	46.0	38.0	-	-
TTP 27 H 76 2012	109.15	27	2012	50.0	2	4F	114.0	84.0	76.5	52.0	32.0	-	-
TTP 28 H 76 2012	113.19	28	2012	50.0	2	4F	119.0	84.0	76.5	52.0	32.0	-	-
TTP 30 H 76 2012	121.28	30	2012	50.0	2	4F	127.0	84.0	89.0	52.0	32.0	-	-
TTP 32 H 76 2517	129.36	32	2517	60.0	2 1/2	4F	135.0	84.0	97.0	39.0	45.0	-	-
TTP 36 H 76 2517	145.53	36	2517	60.0	2 1/2	4F	151.0	84.0	111.0	39.0	45.0	-	-
TTP 40 H 76 2517	161.70	40	2517	60.0	2 1/2	4F	168.0	84.0	130.0	39.0	45.0	-	-
TTP 48 H 76 2517	194.04	48	2517	60.0	2 1/2	7F	200.0	84.0	162.0	19.5	45.0	19.5	124.0
TTP 50 H 76 2517	242.55	50	2517	60.0	2 1/2	7	-	86.0	210.0	20.5	45.0	20.5	124.0
TTP 72 H 76 2517	291.06	72	2517	60.0	2 1/2	7	-	86.0	257.0	20.5	45.0	20.5	124.0
TTP 84 H 76 2517	339.57	84	2517	60.0	2 1/2	7	-	86.0	306.0	20.5	45.0	20.5	124.0
TTP 96 H 76 3030	388.08	96	3030	75.0	3	7	-	86.0	354.0	5.0	76.0	5.0	146.0
TTP 120 H 76 3030	485.10	120	3030	75.0	3	7	-	86.0	451.0	5.0	76.0	5.0	146.0
TTP 156 H 76 3030	630.64	156	3030	75.0	3	7	-	86.0	597.0	5.0	76.0	5.0	178.0

Met.: Metric, Imp.: Imperial, Dia.: Diameter, Max.: Maximum
 * stands for Pilot bore

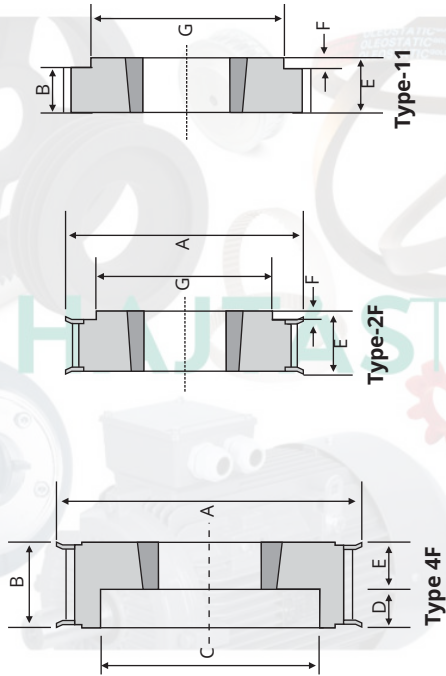
5mm pitch High Torque (HTD) Pulley (15mm wide Belts):



Part Number	Pitch Dia (P) (mm)	No. of Teeth	Outside Dia. (mm)	Bush No.	Max. Bore		Pulley Type	A (mm)	B (mm)	C (mm)	D (mm)	E (mm)	F (mm)	G (mm)
					Met. (mm)	Imp. (inches)								
TTP 28 5M 15 *	44.56	28	43.42	PB	19.0	3/4	1F	49.0	22.0	-	-	30.0	8.0	31.0
TTP 32 5M 15 *	50.93	32	49.79	PB	22.0	7/8	1F	56.0	22.0	-	-	30.0	8.0	38.0
TTP 34 5M 15 1008	54.11	34	52.97	1008	25.0	1	2F	57.0	22.0	-	-	22.0	-	-
TTP 36 5M 15 1108	57.3	36	56.15	1108	28.0	1 1/8	2F	62.0	22.0	-	-	22.0	-	-
TTP 38 5M 15 1108	60.48	38	59.34	1108	28.0	1 1/8	2F	66.0	22.0	-	-	22.0	-	-
TTP 40 5M 15 1108	63.66	40	62.52	1108	28.0	1 1/8	2F	70.0	22.0	-	-	22.0	-	-
TTP 44 5M 15 1210	70.03	44	68.59	1210	28.0	1 1/8	2F	75.0	22.0	-	-	22.0	-	-
TTP 48 5M 15 1210	76.39	48	75.25	1210	32.0	1 1/4	2F	79.0	22.0	-	-	25.0	3.0	59.0
TTP 56 5M 15 1210	89.13	56	87.98	1210	32.0	1 1/4	2F	95.0	22.0	-	-	25.0	3.0	75.0
TTP 64 5M 15 1210	101.86	64	100.72	1210	32.0	1 1/4	2F	106.0	22.0	-	-	25.0	3.0	80.0
TTP 72 5M 15 1210	114.59	72	113.45	1210	42.0	1 5/8	2F	-	22.0	-	-	25.0	3.0	92.0
TTP 80 5M 15 1610	127.32	80	126.18	1610	42.0	1 5/8	11	-	22.0	-	-	25.0	3.0	92.0
TTP 90 5M 15 1610	143.24	90	142.1	1610	42.0	1 5/8	11	-	22.0	-	-	25.0	3.0	92.0
TTP 112 5M 15 2012	178.25	112	177.11	2012	50.0	2	11	-	20.0	-	-	32.0	12.0	110.0
TTP 136 5M 15 2012	216.45	136	215.31	2012	50.0	2	9	-	20.0	199.0	6.0	32.0	6.0	106.0
TTP 150 5M 15 2012	238.73	150	237.59	2012	50.0	2	9	-	20.0	222.0	6.0	32.0	6.0	106.0

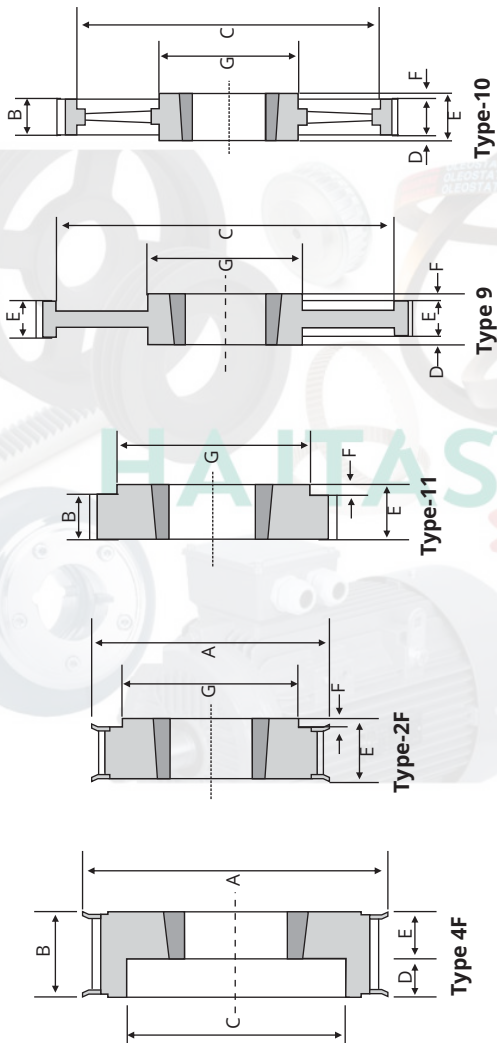
Met.: Metric, Imp.: Imperial, Dia.: Diameter, Max.: Maximum
 * stands for Pilot bore

8mm Pitch High Torque (HTD) Pulley (20mm wide Belts)



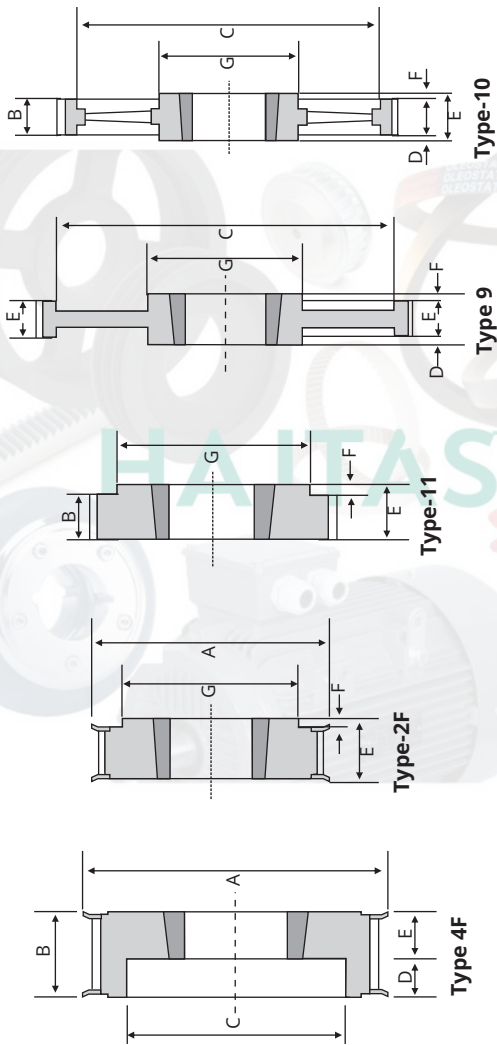
Part Number	Pitch Dia (P) (mm)	No. of Teeth	Outside Dia. (mm)	Bush No.	Max. Bore		Pulley Type	A (mm)	B (mm)	C (mm)	D (mm)	E (mm)	F (mm)	G (mm)
					Met. (mm)	Imp. (inches)								
TTP 22.8M 20 1008	56.02	22	54.65	1008	25.0	1	4F	62.0	26.0	41.0	4.0	22.0	-	-
TTP 24.8M 20 1008	61.12	24	59.75	1008	28.0	1 1/8	4F	70.0	26.0	44.0	4.0	22.0	-	-
TTP 26.8M 20 1008	66.21	26	64.84	1008	28.0	1 1/8	4F	75.0	26.0	44.0	4.0	22.0	-	-
TTP 28.8M 20 1108	71.30	28	70.08	1108	28.0	1 1/8	4F	79.0	26.0	50.0	4.0	22.0	-	-
TTP 30.8M 20 1108	76.39	30	75.13	1108	28.0	1 1/8	4F	86.0	26.0	55.0	4.0	22.0	-	-
TTP 32.8M 20 1610	81.49	32	80.16	1610	42.0	1 5/8	2F	90.0	26.0	-	-	26.0	-	-
TTP 34.8M 20 1610	86.58	34	85.22	1610	42.0	1 5/8	2F	95.0	26.0	-	-	26.0	-	-
TTP 36.8M 20 1610	91.67	36	90.30	1610	42.0	1 5/8	2F	98.0	26.0	-	-	26.0	-	-
TTP 38.8M 20 1610	96.77	38	95.39	1610	42.0	1 5/8	2F	106.0	26.0	-	-	26.0	-	-
TTP 40.8M 20 1610	101.86	40	100.49	1610	42.0	1 5/8	2F	111.0	26.0	-	-	26.0	-	-
TTP 44.8M 20 2012	112.05	44	110.67	2012	50.0	2	2F	119.0	26.0	-	-	32.0	6.0	92.0
TTP 48.8M 20 2012	122.23	48	120.86	2012	50.0	2	11	135.0	26.0	-	-	32.0	6.0	104.0
TTP 56.8M 20 2012	142.60	56	141.23	2012	50.0	2	11	151.0	26.0	-	-	32.0	6.0	111.0
TTP 64.8M 20 2012	162.97	64	161.60	2012	50.0	2	2F	169.0	26.0	-	-	32.0	6.0	111.0
TTP 72.8M 20 2012	183.35	72	181.97	2012	50.0	2	11	-	26.0	-	-	32.0	6.0	111.0
TTP 80.8M 20 2012	203.72	80	202.35	2012	50.0	2	11	-	26.0	-	-	32.0	6.0	111.0
TTP 90.8M 20 2012	229.18	90	227.81	2012	50.0	2	11	-	26.0	-	-	32.0	6.0	111.0

8mm pitch High Torque (HTD) Pulley (30mm wide Belts)



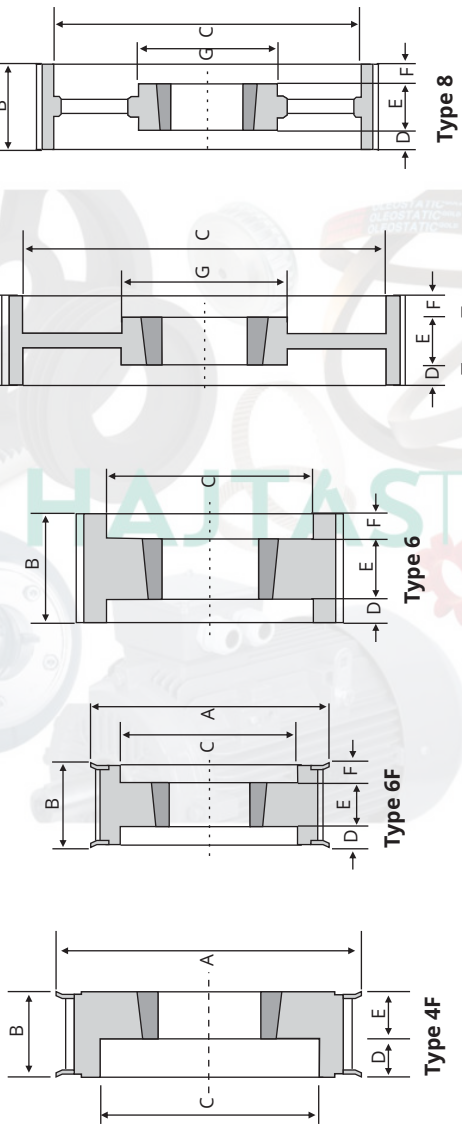
Part Number	Pitch Dia (P) (mm)	No. of Teeth	Outside Dia. (mm)	Bush No.	Max. Bore		Pulley Type	A (mm)	B (mm)	C (mm)	D (mm)	E (mm)	F (mm)	G (mm)
					Met. (mm)	Imp. (inches)								
TTP 22 8M 30 1008	56.02	22	54.65	1008	25.0	1	4F	62.0	36.0	41.0	14.0	22.0	-	-
TTP 24 8M 30 1008	61.12	24	59.75	1008	28.0	1 1/8	4F	70.0	36.0	44.0	14.0	22.0	-	-
TTP 26 8M 30 1008	66.21	26	64.84	1008	28.0	1 1/8	4F	75.0	36.0	44.0	14.0	22.0	-	-
TTP 28 8M 30 1210	71.30	28	70.08	1210	32.0	1 1/4	4F	79.0	36.0	55.0	11.0	25.0	-	-
TTP 30 8M 30 1610	76.39	30	75.13	1610	42.0	1 1/8	2F	86.0	36.0	-	-	38.0	2.0	66.0
TTP 32 8M 30 1610	81.49	32	80.16	1610	42.0	1 5/8	2F	90.0	36.0	-	-	38.0	2.0	66.0
TTP 34 8M 30 1610	86.58	34	85.22	1610	42.0	1 5/8	2F	95.0	36.0	-	-	38.0	2.0	70.0
TTP 36 8M 30 1610	91.67	36	90.30	1610	42.0	1 5/8	2F	98.0	36.0	-	-	38.0	2.0	70.0
TTP 38 8M 30 1610	96.77	38	95.39	1610	42.0	1 5/8	2F	106.0	36.0	-	-	38.0	2.0	75.0
TTP 40 8M 30 1610	101.86	40	100.49	1610	42.0	1 5/8	2F	111.0	36.0	-	-	38.0	2.0	75.0
TTP 44 8M 30 2012	112.05	44	110.67	2012	50.0	2	4F	119.0	36.0	80.0	4.0	32.0	-	-
TTP 48 8M 30 2012	122.23	48	120.86	2012	50.0	2	4F	135.0	36.0	90.0	4.0	32.0	-	-
TTP 56 8M 30 2012	142.60	56	141.23	2012	50.0	2	4F	151.0	36.0	110.0	4.0	32.0	-	-
TTP 64 8M 30 2517	162.97	64	161.60	2517	60.0	2 1/2	2F	168.0	36.0	-	-	45.0	9.0	124.0
TTP 72 8M 30 2517	183.35	72	181.97	2517	60.0	2 1/2	11	-	36.0	-	-	45.0	9.0	124.0
TTP 80 8M 30 2517	203.72	80	202.35	2517	60.0	2 1/2	11	-	36.0	-	-	45.0	9.0	124.0
TTP 90 8M 30 2517	229.18	90	227.81	2517	60.0	2 1/2	9	-	36.0	198.0	4.5	45.0	4.5	124.0
TTP 112 8M 30 2517	285.21	112	283.83	2517	60.0	2 1/2	9	-	36.0	254.0	4.5	45.0	4.5	124.0
TTP 144 8M 30 2517	366.59	144	365.32	2517	60.0	2 1/2	10	-	36.0	335.0	4.5	45.0	4.5	124.0

8mm pitch High Torque (HTD) Pulley (50mm wide Belts)



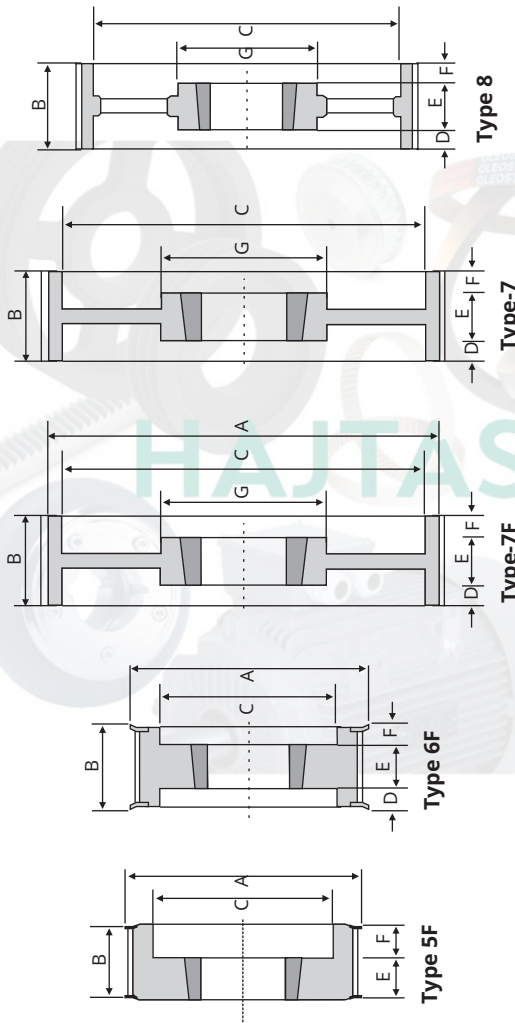
Part Number	Pitch Dia (P) (mm)	No. of Teeth	Outside Dia. (mm)	Bush No.	Max. Bore		Pulley Type	A (mm)	B (mm)	C (mm)	D (mm)	E (mm)	F (mm)	G (mm)
					Met. (mm)	Imp. (inches)								
TTP 28 8M 50 1210	71.30	28	70.08	1210	32.0	1 1/4	4F	79.0	57.0	55.0	32.0	25.0	-	-
TTP 30 8M 50 1610	76.39	30	75.13	1610	42.0	1 5/8	2F	86.0	57.0	60.0	19.0	38.0	-	-
TTP 32 8M 50 1610	81.49	32	80.16	1610	42.0	1 5/8	2F	90.0	57.0	60.0	19.0	38.0	-	-
TTP 34 8M 50 1610	86.58	34	85.22	1610	42.0	1 5/8	2F	95.0	57.0	64.0	19.0	38.0	-	-
TTP 36 8M 50 1610	91.67	36	90.30	1610	42.0	1 5/8	2F	98.0	57.0	65.0	19.0	38.0	-	-
TTP 38 8M 50 1610	96.77	38	95.39	1610	42.0	1 5/8	2F	106.0	57.0	74.0	-	38.0	19.0	-
TTP 40 8M 50 1610	101.86	40	100.49	1610	50.0	2	2F	111.0	57.0	75.0	25.0	32.0	-	-
TTP 44 8M 50 2012	112.05	44	110.67	2012	50.0	2	4F	119.0	57.0	88.0	-	32.0	25.0	-
TTP 48 8M 50 2012	122.23	48	120.86	2012	50.0	2	4F	135.0	57.0	90.0	-	32.0	25.0	-
TTP 56 8M 50 2012	142.60	56	141.23	2012	60.0	2 1/2	4F	151.0	57.0	110.0	-	45.0	12.0	-
TTP 64 8M 50 2517	162.97	64	161.60	2517	60.0	2 1/2	2F	168.0	57.0	130.0	-	45.0	12.0	-
TTP 72 8M 50 2517	183.35	72	181.97	2517	60.0	2 1/2	11	-	57.0	152.0	-	45.0	12.0	-
TTP 80 8M 50 2517	203.72	80	202.35	2517	75.0	3	11	-	57.0	172.0	-	51.0	6.0	-
TTP 90 8M 50 3020	229.18	90	227.81	3020	75.0	3	9	-	57.0	197.0	3.0	51.0	3.0	150.0
TTP 112 8M 50 3020	285.21	112	283.83	3020	75.0	3	9	-	57.0	253.0	3.0	51.0	3.0	150.0
TTP 144 8M 50 3020	366.59	144	365.32	3020	75.0	3	10	-	57.0	335.0	3.0	51.0	3.0	150.0
TTP 168 8M 50 3525	427.81	168	426.44	3525	100.0	4	10	-	57.0	396.0	4.0	65.0	4.0	198.0
TTP 192 8M 50 3525	488.92	192	487.55	3525	100.0	4	10	-	57.0	457.0	4.0	65.0	4.0	198.0

8mm pitch High Torque (HTD) Pulley (85mm wide Belts):



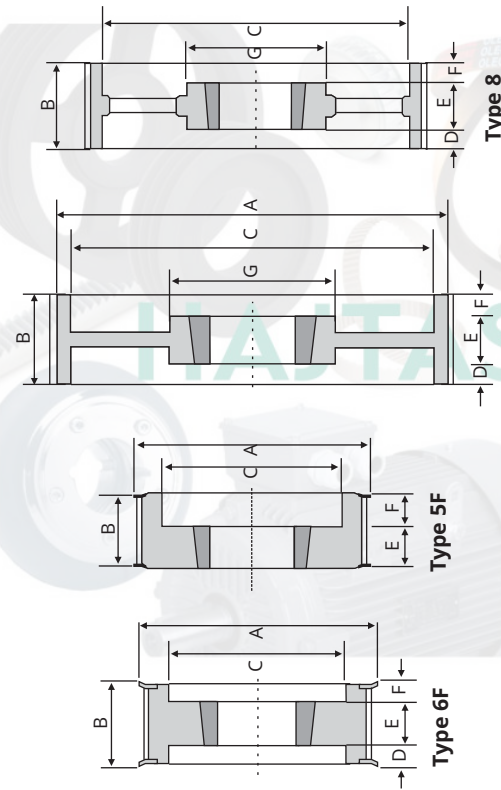
Part Number	Pitch Dia (P) (mm)	No. of Teeth	Outside Dia. (mm)	Bush No.	Max. Bore Imp. (inches)		Pulley Type	A (mm)	B (mm)	C (mm)	D (mm)	E (mm)	F (mm)	G (mm)
					Met. (mm)									
TTP 34 8M 85 1615	86.58	34	85.22	1615	42.0	1 5/8	4F	95.0	94.0	64.0	56.0	32.0	-	-
TTP 36 8M 85 1615	91.67	36	90.30	1615	42.0	1 5/8	4F	98.0	94.0	65.0	56.0	38.0	-	-
TTP 38 8M 85 1615	96.77	38	95.39	1615	42.0	1 5/8	4F	106.0	94.0	65.0	56.0	38.0	-	-
TTP 40 8M 85 2012	101.86	40	100.49	2012	50.0	2	4F	111.0	94.0	78.0	62.0	32.0	-	-
TTP 44 8M 85 2012	112.05	44	110.67	2012	50.0	2	4F	119.0	94.0	85.0	62.0	32.0	-	-
TTP 48 8M 85 2517	122.23	48	120.86	2517	60.0	2 1/2	4F	135.0	94.0	96.0	49.0	45.0	-	-
TTP 56 8M 85 2517	142.60	56	141.23	2517	60.0	2 1/2	6F	151.0	94.0	111.0	24.5	45.0	24.5	-
TTP 64 8M 85 2517	162.97	64	161.60	2517	60.0	2 1/2	6F	168.0	94.0	131.0	24.5	45.0	24.5	-
TTP 72 8M 85 3020	183.35	72	181.97	3020	75.0	3	6	-	94.0	152.0	21.5	51.0	21.5	-
TTP 80 8M 85 3020	203.72	80	202.35	3020	75.0	3	6	-	94.0	172.0	21.5	51.0	21.5	-
TTP 90 8M 85 3020	229.18	90	227.81	3020	75.0	3	6	-	94.0	197.0	21.5	51.0	21.5	-
TTP 112 8M 85 3020	285.21	112	283.83	3020	75.0	3	7	-	94.0	253.0	21.5	51.0	21.5	150.0
TTP 144 8M 85 3525	366.59	144	365.32	3525	100.0	4	7	-	94.0	335.0	14.5	65.0	14.5	198.0
TTP 168 8M 85 3525	427.81	168	426.44	3525	100.0	4	8	-	94.0	396.0	14.5	65.0	14.5	198.0
TTP 192 8M 85 3525	488.92	192	487.55	3525	100.0	4	8	-	94.0	457.0	14.5	65.0	14.5	198.0

14mm Pitch High Torque (HTD) Pulley (40mm wide Belts):



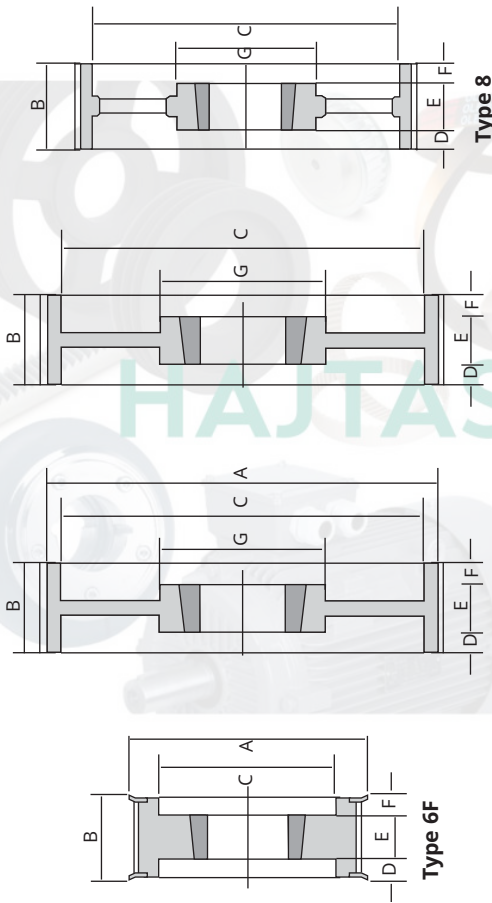
Part Number	Pitch Dia (P) (mm)	No. of Teeth	Outside Dia. (mm)	Bush No.	Max. Bore		Pulley Type	A (mm)	B (mm)	C (mm)	D (mm)	E (mm)	F (mm)	G (mm)
					Met. (mm)	Imp. (inches)								
TTP 28 14M 40 2012	124.78	28	122.12	2012	50.0	2	5F	141.0	54.0	88.0	-	32.0	22.0	-
TTP 29 14M 40 2012	129.23	29	126.57	2012	50.0	2	5F	141.0	54.0	90.0	-	32.0	22.0	-
TTP 30 14M 40 2012	133.69	30	130.99	2012	50.0	2	5F	141.0	54.0	91.0	-	32.0	22.0	-
TTP 32 14M 40 2012	142.60	32	139.88	2012	50.0	2	6F	156.0	54.0	100.0	11.0	32.0	11.0	-
TTP 34 14M 40 2517	151.51	34	148.79	2517	50.0	2 1/2	6F	156.0	54.0	109.0	4.5	45.0	4.5	-
TTP 36 14M 40 2517	160.43	36	157.68	2517	60.0	2 1/2	5F	169.0	54.0	117.0	-	45.0	9.0	-
TTP 38 14M 40 2517	169.34	38	166.60	2517	60.0	2 1/2	5F	183.0	54.0	126.0	-	45.0	9.0	-
TTP 40 14M 40 2517	178.25	40	175.49	2517	60.0	2 1/2	5F	197.0	54.0	135.0	-	45.0	9.0	-
TTP 44 14M 40 3020	196.08	44	193.28	3020	75.0	3	5F	211.0	54.0	153.0	-	51.0	3.0	-
TTP 48 14M 40 3020	213.90	48	211.11	3020	75.0	3	5F	226.0	54.0	171.0	-	51.0	3.0	-
TTP 56 14M 40 3020	249.55	56	246.76	3020	75.0	3	7F	267.0	54.0	207.0	1.5	51.0	1.5	144.0
TTP 64 14M 40 3020	285.21	64	282.41	3020	75.0	3	8F	297.0	54.0	242.0	1.5	51.0	1.5	159.0
TTP 72 14M 40 3020	320.86	72	316.06	3020	75.0	3	8	-	54.0	278.0	1.5	51.0	1.5	159.0
TTP 80 14M 40 3020	356.51	80	353.71	3020	75.0	3	7	-	54.0	314.0	1.5	51.0	1.5	159.0
TTP 90 14M 40 3020	401.07	90	398.28	3020	75.0	3	8	-	54.0	362.0	1.5	51.0	1.5	159.0
TTP 112 14M 40 3020	499.11	112	496.32	3020	75.0	3	8	-	54.0	450.0	1.5	51.0	1.5	159.0
TTP 144 14M 40 3020	641.71	144	638.92	3020	75.0	3	8	-	54.0	600.0	1.5	51.0	1.5	159.0
TTP 168 14M 40 3020	748.66	168	745.87	3020	75.0	3	8	-	54.0	706.0	1.5	51.0	1.5	159.0
TTP 192 14M 40 3020	855.62	192	852.82	3020	75.0	3	8	-	54.0	812.0	1.5	51.0	1.5	159.0

14mm Pitch High Torque (HTD) Pulley (55mm wide Belts)



Part Number	Pitch Dia (P) (mm)	No. of Teeth	Outside Dia. (mm)	Bush No.	Max. Bore		Pulley Type	A (mm)	B (mm)	C (mm)	D (mm)	E (mm)	F (mm)	G (mm)
					Met. (mm)	Imp. (inches)								
TTP 28 14M 55 2012	124.78	28	122.12	2012	50.0	2	6F	141.0	70.0	90.0	19.0	32.0	19.0	-
TTP 29 14M 55 2012	129.23	29	126.57	2012	50.0	2	6F	141.0	70.0	91.0	19.0	32.0	19.0	-
TTP 30 14M 55 2517	133.69	30	130.99	2517	60.0	2 1/2	6F	141.0	70.0	95.0	12.5	45.0	12.5	-
TTP 32 14M 55 2517	142.60	32	139.88	2517	60.0	2 1/2	6F	156.0	70.0	100.0	12.5	45.0	12.5	-
TTP 34 14M 55 2517	151.51	34	148.79	2517	60.0	2 1/2	6F	156.0	70.0	109.0	12.5	45.0	12.5	-
TTP 36 14M 55 2517	160.43	36	157.68	2517	60.0	2 1/2	5F	169.0	70.0	117.0	0.0	45.0	25.0	-
TTP 38 14M 55 2517	169.34	38	166.60	2517	60.0	2 1/2	5F	183.0	70.0	126.0	0.0	45.0	25.0	-
TTP 40 14M 55 2517	178.25	40	175.49	2517	60.0	2 1/2	6F	197.0	70.0	135.0	12.5	45.0	12.5	-
TTP 44 14M 55 3020	196.08	44	193.28	3020	75.0	3	6F	211.0	70.0	153.0	9.5	51.0	9.5	-
TTP 48 14M 55 3020	213.90	48	211.11	3020	75.0	3	6F	226.0	70.0	171.0	9.5	51.0	9.5	-
TTP 56 14M 55 3020	249.55	56	246.76	3020	75.0	3	6F	267.0	70.0	207.0	9.5	51.0	9.5	-
TTP 64 14M 55 3020	285.21	64	282.41	3020	75.0	3	7F	297.0	70.0	242.0	9.5	51.0	9.5	159.0
TTP 72 14M 55 3020	320.86	72	316.06	3020	75.0	3	8	-	70.0	278.0	9.5	51.0	9.5	159.0
TTP 80 14M 55 3020	356.51	80	353.71	3020	75.0	3	8	-	70.0	314.0	9.5	51.0	9.5	159.0
TTP 90 14M 55 3020	401.07	90	398.28	3020	75.0	3	8	-	70.0	362.0	9.5	51.0	9.5	159.0
TTP 112 14M 55 3020	499.11	112	496.32	3020	75.0	3	8	-	70.0	456.0	9.5	51.0	9.5	159.0
TTP 144 14M 55 3020	641.71	144	638.92	3020	75.0	3	8	-	70.0	600.0	9.5	51.0	9.5	159.0
TTP 168 14M 55 3020	748.66	168	745.87	3020	75.0	3	8	-	70.0	706.0	9.5	51.0	9.5	159.0
TTP 192 14M 55 3020	855.62	192	852.82	3020	75.0	3	8	-	70.0	812.0	9.5	51.0	9.5	159.0

14mm pitch High Torque (HTD) Pulley (85mm wide Belts)



Part Number	Pitch Dia (P) (mm)	No. of Teeth	Outside Dia. (mm)	Bush No.	Max. Bore		Pulley Type	A (mm)	B (mm)	C (mm)	D (mm)	E (mm)	F (mm)	G (mm)
					Met. (mm)	Imp. (inches)								
TTP 28 14M 85 2517	124.78	28	122.12	2517	60.0	2 1/2	6F	141.0	102.0	98.0	27.5	45.0	27.5	-
TTP 29 14M 85 2517	129.23	29	126.57	2517	60.0	2 1/2	6F	141.0	102.0	98.0	27.5	45.0	27.5	-
TTP 30 14M 85 2517	133.69	30	130.99	2517	60.0	2 1/2	6F	141.0	102.0	100.0	27.5	45.0	27.5	-
TTP 32 14M 85 2517	142.60	32	139.88	2517	60.0	2 1/2	6F	156.0	102.0	100.0	27.5	45.0	27.5	-
TTP 34 14M 85 2517	151.51	34	148.79	2517	60.0	2 1/2	6F	156.0	102.0	109.0	27.5	45.0	27.5	-
TTP 36 14M 85 3020	160.43	36	157.68	3020	75.0	3	6F	169.0	102.0	123.0	27.5	51.0	27.5	-
TTP 38 14M 85 3020	169.34	38	166.60	3020	75.0	3	6F	183.0	102.0	126.0	27.5	51.0	27.5	-
TTP 40 14M 85 3020	178.25	40	175.49	3020	75.0	3	6F	197.0	102.0	135.0	27.5	51.0	27.5	-
TTP 44 14M 85 3020	196.08	44	193.28	3020	75.0	3	6F	211.0	102.0	153.0	27.5	51.0	27.5	-
TTP 48 14M 85 3020	213.90	48	211.11	3020	75.0	3	6F	226.0	102.0	171.0	27.5	51.0	27.5	-
TTP 56 14M 85 3525	249.55	56	246.76	3525	100.0	4	6F	267.0	102.0	207.0	18.5	65.0	18.5	-
TTP 64 14M 85 3525	285.21	64	282.41	3525	100.0	4	7F	297.0	102.0	242.0	18.5	65.0	18.5	-
TTP 72 14M 85 3525	320.86	72	316.06	3525	100.0	4	7	-	102.0	278.0	18.5	65.0	18.5	178.0
TTP 80 14M 85 3525	356.51	80	353.71	3525	100.0	4	7	-	102.0	314.0	18.5	65.0	18.5	178.0
TTP 90 14M 85 3525	401.07	90	398.28	3525	100.0	4	8	-	102.0	358.0	18.5	65.0	18.5	178.0
TTP 112 14M 85 3525	499.11	112	496.32	3525	100.0	4	8	-	102.0	456.0	18.5	65.0	18.5	178.0
TTP 144 14M 85 3525	641.71	144	638.92	3525	100.0	4	8	-	102.0	600.0	18.5	65.0	18.5	206.0
TTP 168 14M 85 3525	748.66	168	745.87	3525	100.0	4	8	-	102.0	706.0	18.5	65.0	18.5	206.0
TTP 192 14M 85 4030	855.62	192	852.82	4030	115.0	4 1/2	8	-	102.0	812.0	13.0	76.0	13.0	216.0

Taper Bush dimensions

Taper Bush Number	Taper Bush Code	Nominal Dia at the Larger End of Taper (mm)	Face Width (mm)	Minimum Bore (mm)	Maximum Bore (mm)
1008	TLB1008009 to TLB1008025	35.0	22	9	25
1108	TLB1108009 to TLB1108028	38.0	22	9	28
1210	TLB1210011 to TLB1210032	47.5	25	11	32
1215	TLB1215011 to TLB1215032	47.5	38	11	32
1310	TLB1310014 to TLB1310035	51.0	25	14	35
1610	TLB1610014 to TLB1610042	57.0	25	14	42
1615	TLB1615014 to TLB1615042	57.0	38	14	42
2012	TLB2012014 to TLB2012050	70.0	32	14	50
2517	TLB2517016 to TLB2517060	85.5	45	16	60
2525	TLB2525019 to TLB2525060	85.5	65	19	60
3020	TLB3020025 to TLB3020075	108.0	51	25	75
3030	TLB3030035 to TLB3030075	108.0	76	35	75
3525	TLB3525048 to TLB3525090	127.0	65	35	90
3535	TLB3535035 to TLB3535090	127.0	89	35	90
4040	TLB4040040 to TLB4040100	146.0	102	40	100
4545	TLB4545055 to TLB4545110	162.0	114	55	110
5050	TLB5050070 to TLB5050125	177.5	127	70	125

Taper Bush dimensions

Taper Bush Number	Bore	Weight approx		Bushing key seat	Shaft key seat
		Lbs	Kgs		
1108	1/2 to 9/16	0.33	0.15	1/8 x 1/16	1/8 x 1/16
	5/8 to 7/8	0.27	0.12	3/16 x 3/32	3/16 x 3/32
	15/16 to 1	0.22	0.10	1/4 x 1/8	1/4 x 1/8
	1-1/16 to 1-1/8	0.17	0.08	1/4 x 1/16a	1/4 x 1/8
1210	1/2 to 9/16	0.61	0.28	1/8 x 1/16	1/8 x 1/16
	5/8 to 7/8	0.55	0.25	3/16 x 3/32	3/16 x 3/32
	15/16 to 1-1/4	0.49	0.22	1/4 x 1/8	1/4 x 1/8
1610	1/2 to 9/16	0.90	0.41	1/8 x 1/16	1/8 x 1/16
	5/8 to 7/8	0.80	0.36	3/16x3/32	3/16 x 3/32
	15/16 to 1-1/4	0.70	0.32	1/4 x 1/8	1/4 x 1/8
	1-5/16 to 1-3/8	0.70	0.32	5/16 x 5/32	5/16 x 5/32
	1-7/16 to 1-1/2	0.60	0.27	3/8 x 3/16	3/8 x 3/16
	1-9/16 to 1-5/8	0.50	0.23	3/8 x 1/8a	3/8 x 3/16
1615	1/2 to 9/16	1.20	0.54	1/8 x 1/16	1/8 x 1/16
	5/8 to 7/8	1.10	0.50	3/16 x 3/32	3/16 x 3/32
	15/16 to 1-1/4	1.00	0.45	1/4 x 1/8	1/4 x 1/8
	1-5/16 to 1-3/8	0.80	0.36	5/16 x 5/32	5/16 x 5/32
	1-7/16 to 1-1/2	0.70	0.32	3/8 x 3/16	3/8 x 3/16
	1-9/16 to 1-5/8	0.60	0.27	3/8 x 1/8a	3/8 x 3/16
2517	1/2 to 9/16	3.50	1.59	1/8 x 1/16	1/8 x 1/16
	5/8 to 7/8	3.40	1.54	3/16 x 3/32	3/16 x 3/32
	15/16 to 1-1/4	3.30	1.50	1/4 x 1/8	1/4 x 1/8
	1-5/16 to 1-3/8	3.20	1.45	5/16 x 5/32	5/16 x 5/32
	1-7/16 to 1-3/4	3.00	1.36	3/8 x 3/16	3/8 x 3/16
	1-13/16 to 2-1/4	2.40	1.09	1/2 x 1/4	1/2 x 1/4
	2-5/16 to 2-1/2	1.90	0.86	5/8 x 3/16a	5/8 x 5/16
3020	15/16 to 1-1/4	6.50	2.95	1/4 x 1/8	1/4 x 1/8
	1-5/16 to 1-3/8	6.30	2.86	5/16 x 5/32	5/16 x 5/32
	1-7/16 to 1-3/4	6.00	2.72	3/8 x 3/16	3/8 x 3/16
	1-13/16 to 2-1/4	5.30	2.40	1/2 x 1/4	1/2 x 1/4
	2-5/16 to 2-3/4	4.50	2.04	5/8 x 5/16	5/8 x 5/16
2-13/16 to 3	3.90	1.77	3/4 x 1/4a	3/4 x 3/8	
3030	15/16 to 1-1/4	9.20	4.17	1/4 x 1/8	1/4 x 1/8
	1-5/16 to 1-3/8	8.90	4.04	5/16 x 5/32	5/16 x 5/32
	1-7/16 to 1-3/4	8.60	3.90	3/8 x 3/16	3/8 x 3/16
	1-13/16 to 2-1/4	7.60	3.45	1/2 x 1/4	1/2 x 1/4
	2-5/16 to 2-3/4	6.20	2.81	5/8 x 5/16	5/8 x 5/16
	2-13/16 to 3	5.00	2.27	3/4 x 1/4a	3/4 x 3/8
3535	1-3/16 to 1-1/4	14.0	6.35	1/4 x 1/8	1/4 x 1/8
	1-5/16 to 1-3/8	14.0	6.35	5/16 x 5/32	5/16 x 5/32
	1-7/16 to 1-3/4	13.0	5.90	3/8 x 3/16	3/8 x 3/16
	1-13/16 to 2-1/4	12.0	5.44	1/2 x 1/4	1/2 x 1/4
	2-5/16 to 2-3/4	11.0	4.99	5/8 x 5/16	5/8 x 5/16
	2-13/16 to 3-1/4	9.00	4.08	3/4 x 3/8	3/4 x 3/8
	3-5/16 to 3-1/2	8.00	3.63	7/8 x 1/4a	7/8 x 7/16
4040	1-7/16 to 1-3/4	22.0	9.98	3/8 x 3/16	3/8 x 3/16
	1-13/16 to 2-1/4	21.0	9.53	1/2 x 1/4	1/2 x 1/4
	2-5/16 to 2-3/4	19.0	8.62	5/8 x 5/16	5/8 x 5/16
	2-13/16 to 3-1/4	17.0	7.71	3/4 x 3/8	3/4 x 3/8
	3-5/16 to 3-5/8	15.0	6.80	7/8 x 7/16	7/8 x 7/16
	3-11/16 to 3-3/4	14.0	6.35	7/8 x 7/16	7/8 x 7/16
	3-13/16 to 4	13.0	5.90	1 x 1/4a	1 x 1/2
4545	1-15/16 to 2-1/4	30.0	13.61	1/2 x 1/4	1/2 x 1/4
	2-5/16 to 2-3/4	28.0	12.70	5/8 x 5/16	5/8 x 5/16
	2-13/16 to 3-1/4	26.0	11.79	3/4 x 3/8	3/4 x 3/8
	3-5/16 to 3-3/4	23.0	10.43	7/8 x 7/16	7/8 x 7/16
	3-13/16 to 4-1/4	20.0	9.07	1 x 1/2	1 x 1/2
4-5/16 to 4-1/2	18.0	8.16	1 x 1/4a	1 x 1/2	
5050	2-5/16 to 2-3/4	38.0	17.24	5/8 x 5/16	5/8 x 5/16
	2-13/16 to 3-1/4	35.0	15.88	3/4 x 3/8	3/4 x 3/8
	3-5/16 to 3-3/4	32.0	14.51	7/8 x 7/16	7/8 x 7/16
	3-13/16 to 4-1/2	27.0	12.25	1 x 1/2	1 x 1/2
	4-9/16 to 5	24.0	10.89	1-1/4 x 7/16a	1-1/4 x 5/8
6050	3-13/16 to 4-1/2	60.0	27.22	1 x 1/2	1 x 1/2
	4-9/16 to 5-1/2	55.0	24.95	1-1/4 x 5/8	1-1/4 x 5/8
	5-9/16 to 6	50.0	22.68	1-1/2 x 3/4	1-1/2 x 3/4
7060	4-9/16 to 5-1/2	85.0	38.56	1-1/4 x 5/8	1-1/4 x 5/8
	5-9/16 to 6-1/2	75.0	34.02	1-1/2 x 3/4	1-1/2 x 3/4
	6-9/16 to 7	65.0	29.48	1-3/4 x 3/4	1-3/4 x 3/4

a: Shallow key furnished for these sizes

Metric bores, keyway, keys & screws

Bush No.	Nominal Diameter at Larger End	Taper Bush Code	Bore Diameter (mm)	Keyway (mm)		Key (mm)		Screw Tightening Torque(Nm)	Screw Details	
				Width (w)	Depth (h)	Width (w)	Depth (h)		Qty.	Size
1008	35	TLB1008009 to TLB1008025	9 - 10	3	1.4	3	3	5.6	2	1/4"
			11 - 12	4	1.8	4	4			
			13 - 17	5	2.3	5	5			
			18 - 22	6	2.8	6	6			
			23 - 25	8	3.3	8	7			
1108	38	TLB1108009 to TLB1108028	9 - 10	3	1.4	3	3	5.6	2	1/4"
			11 - 12	4	1.8	4	4			
			13 - 17	5	2.3	5	5			
			18 - 22	6	2.8	6	6			
			23 - 28	8	3.3	8	7			
1210	47.5	TLB1210011 to TLB1210032	11 - 12	4	1.8	4	4	20	2	3/8"
			13 - 17	5	2.3	5	5			
			18 - 22	6	2.8	6	6			
			23 - 30	8	3.3	8	7			
			31 - 32	10	3.3	10	8			
1215	47.5	TLB1215011 to TLB1215032	11 - 12	4	1.8	4	4	20	2	3/8"
			13 - 17	5	2.3	5	5			
			18 - 22	6	2.8	6	6			
			23 - 30	8	3.3	8	7			
			31 - 32	10	3.3	10	8			
1310	51	TLB1310014 to TLB1310035	14 - 17	5	2.3	5	5	20	2	3/8"
			18 - 22	6	2.8	6	6			
			23 - 30	8	3.3	8	7			
			31 - 35	10	3.3	10	8			
			14 - 17	5	2.3	5	5			
1610	57	TLB1610014 to TLB1610042	18 - 22	6	2.8	6	6	20	2	3/8"
			23 - 30	8	3.3	8	7			
			31 - 38	10	3.3	10	8			
			39 - 42	12	3.3	12	8			
			14 - 17	5	2.3	5	5			
1615	57	TLB1615014 to TLB1615042	18 - 22	6	2.8	6	6	20	2	3/8"
			23 - 30	8	3.3	8	7			
			31 - 38	10	3.3	10	8			
			39 - 42	12	3.3	12	8			
			14 - 17	5	2.3	5	5			
2012	70	TLB2012014 to TLB2012050	14 - 17	5	2.3	5	5	31	2	7/16"
			18 - 22	6	2.8	6	6			
			23 - 30	8	3.3	8	7			
			31 - 38	10	3.3	10	8			
			39 - 44	12	3.3	12	8			
2517	85.5	TLB2517016 to TLB2517060	45 - 50	14	3.8	14	9	48	2	1/2"
			16 - 17	5	2.3	5	5			
			18 - 22	6	2.8	6	6			
			23 - 30	8	3.3	8	7			
			31 - 38	10	3.3	10	8			
			39 - 44	12	3.3	12	8			
			51 - 58	16	4.3	16	10			
59 - 60	18	4.4	18	11						
2525	85.5	TLB2525019 to TLB2525060	19 - 22	6	2.8	6	6	48	2	1/2"
			23 - 30	8	3.3	8	7			
			31 - 38	10	3.3	10	8			
			39 - 44	12	3.3	12	8			
			45 - 50	14	3.8	14	9			
			51 - 58	16	4.3	16	10			
			59 - 60	18	4.4	18	11			

Metric bores, keyway, keys & screws

Bush No.	Nominal Diameter at Larger End	Taper Bush Code	Bore Diameter (mm)	Keyway (mm)		Key (mm)		Screw Tightening Torque(Nm)	Screw Details	
				Width (w)	Depth (h)	Width (w)	Depth (h)		Qty.	Size
3020	108	TLB3020025 to TLB3020075	25 - 30	8	3.3	8	7	90	2	5/8"
			31 - 38	10	3.3	10	8			
			39 - 44	12	3.3	12	8			
			45 - 50	14	3.8	14	9			
			51 - 58	16	4.3	16	10			
			59 - 65	18	4.4	18	11			
3030	108	TLB3030035 to TLB3030075	35 - 38	10	3.3	10	8	90	2	5/8"
			39 - 44	12	3.3	12	8			
			45 - 50	14	3.8	14	9			
			51 - 58	16	4.3	16	10			
			59 - 65	18	4.4	18	11			
			66 - 75	20	4.9	20	12			
3525	127	TLB3525048 to TLB3525090	35 - 38	10	3.3	10	8	113	3	1/2"
			39 - 44	12	3.3	12	8			
			45 - 50	14	3.8	14	9			
			51 - 58	16	4.3	16	10			
			59 - 65	18	4.4	18	11			
			66 - 75	20	4.9	20	12			
3535	127	TLB3535035 to TLB3535090	35 - 38	10	3.3	10	8	113	3	1/2"
			39 - 44	12	3.3	12	8			
			45 - 50	14	3.8	14	9			
			51 - 58	16	4.3	16	10			
			59 - 65	18	4.4	18	11			
			66 - 75	20	4.9	20	12			
4040	146	TLB4040040 to TLB4040100	40 - 44	12	3.3	12	8	170	3	5/8"
			45 - 50	14	3.8	14	9			
			51 - 58	16	4.3	16	10			
			59 - 65	18	4.4	18	11			
			66 - 75	20	4.9	20	12			
			76 - 86	22	5.4	22	14			
4545	162	TLB4545055 to TLB4545110	96 - 100	28	6.4	28	16	192	3	3/4"
			55 - 58	16	4.3	16	10			
			59 - 65	18	4.4	18	11			
			66 - 75	20	4.9	20	12			
			76 - 86	22	5.4	22	14			
			86 - 96	25	5.4	25	14			
5050	177.5	TLB5050070 to TLB5050125	96 - 110	28	6.4	28	16	271	3	7/8"
			70 - 75	20	4.9	20	12			
			76 - 86	22	5.4	22	14			
			86 - 96	25	5.4	25	14			
			96 - 110	28	6.4	28	16			
			111 - 125	32	7.4	32	18			

Note:

- Key ways are British standard metric B.S. 4235: Part 1:1972 and conform to I.S.O recommendations. Where a key is to be used it should be parallel and side fitting with top clearance. Depth of key way is measured at the center.
- Taper Bush with Imperial bores can also be supplied.

Pulley balancing

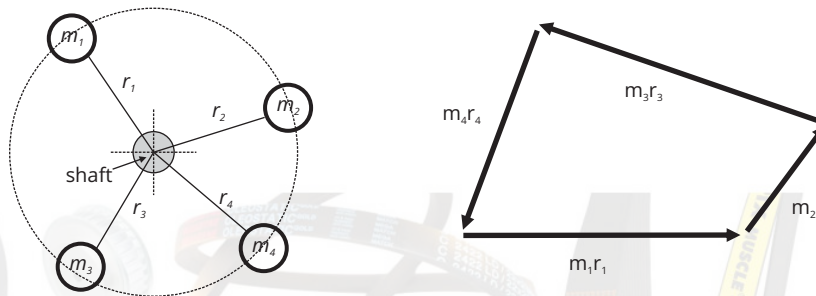
Static Balancing

Concept: When the Pulley is statically balanced, then the center of mass lies on the axis of rotation.

Cross-check: Rotate the Pulley to any angular position and leave it. If it is statically balanced, then the Pulley will retain its position.

Procedure:

- You are provided with 4 different masses (in the form of bars) and thus "the shaft + 4 masses" constitutes your system.
- As of now you assume that the center of mass of the bars is at equidistant from the axis of rotation.



- Orient the masses on the shaft in such a way that center of mass = $\sum m_i r_i = 0$
- For that randomly orient masses m_1 and m_2 (i.e. 2) and then analytically solve for getting orientation of 3 and 4 (i.e. 4).
- Manually orient m_3 and m_4 at calculated angles '4' and then see if there is an unbalance, there will be most probably.
- You then need to finely adjust the orientations of any two masses to make the system statically stable.

Need of balancing:

If the pulleys are not properly balanced, it results in the increasing the loads on bearings and also produce vibrations. To minimise the pressure on bearings, balancing is necessary.

Benefits of balancing:

- Free from noise
- Free from vibrations
- Improved bearing life
- Improved shaft life as well as protection from bending by eliminating cantilever effect
- Improved belt life
- Safety: unbalanced pulleys running on higher R.P.M. can even breaks into pieces which can cause for major accident / damage.

Static balancing: One-Plane Balancing (DIN-2211 part 1)

Static balancing is adopted for the pulleys where peripheral speed is less than 20 m/s. If the pulley is not balanced, the shaft will turn until the heavier side is on the bottom. A hole is bored until the pulley is in static balance, or remains mobile regardless of what position it is placed in.



Pulley balancing

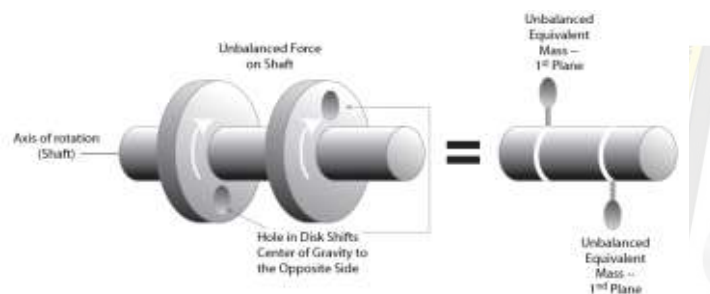
Dynamic balancing:

Dynamic balancing is necessary when

- Surface speed is greater than 30 m/s and large diameter Pulleys.
- Ratio of Pulley diameter to Pulley face width $d : w < 4$
- Dynamic or two plane balancing :
- Balance corrections are made and measured at 2 planes on the component axis.
- Non balanced units of masses are spread along the length of the component.

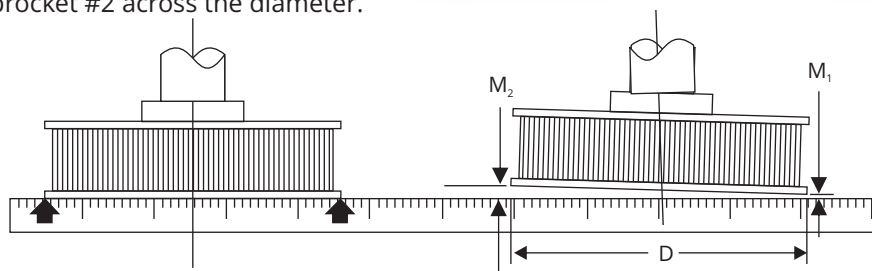
Dynamic or two plane balancing (As per DIN-2211 part 1)

A two-plane balance is recommended only in certain cases where the product face width is relatively large and the operational speed relatively fast, or where balance is considered very critical.



Pulley alignment inspection

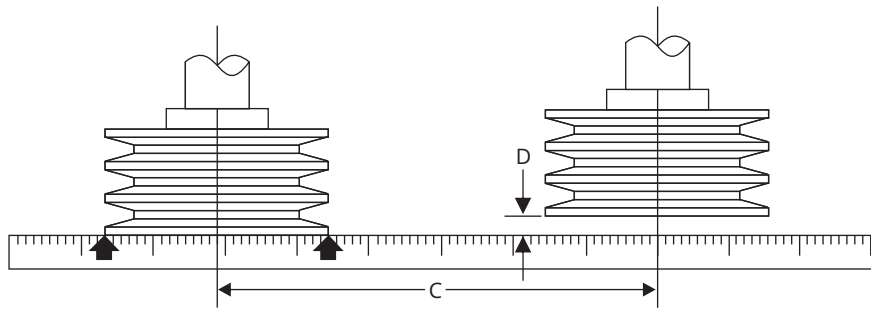
Misalignment can either be quantified mathematically, or be compared to some general rules of thumb for quicker and easier results. While using a straight edge to project the plane of the outside face of the sheave or sprocket #1 with respect to sheave or sprocket #2, angular misalignment can be quantified as the difference in clearance between the straight edge and the outside surface of the sheave or sprocket #2 across the diameter.



$$\text{Misalignment} = \tan^{-1} \left[\frac{M_2 - M_1}{D} \right]$$

The angle of parallel misalignment can be quantified as the difference in clearance between the straight edge and the outer surfaces of the two sheaves or sprockets across the separation distance.

Pulley alignment inspection



$$\text{Misalignment} = \tan^{-1} \left[\frac{D}{C} \right]$$

The total allowable misalignment recommended for V-Belts, in general, is 1/2-degree. While individual V-Belts are known to be capable of handling greater amounts of misalignment before becoming unstable, maintaining the misalignment to within 1/2-degree will maximize Belt life.

The total amount of misalignment recommended for synchronous, banded Belts and poly-V Belts is 1/4-degree. These drives are less tolerant of misalignment than conventional V-Belt drives, and must be aligned more accurately.

For V-Belt drives:

1/2-degree angle = approximately 1/10-inch per foot of distance traveled.

For synchronous, 60-degree angle, and V-ribbed drives:

HAJTASTECHNIKA  **powered by SIS**

Bush key-size details

Bush No.	Wrench size	Tightening torque (Nm)
1008	3	5.6
1108	3	5.6
1210	5	20
1610	5	20
1615	5	20
2012	6	30
2517	6	50
3020	8	90
3030	8	90
3525	10	115
3535	10	115
4030	12	170
4040	12	170
4535	14	190
4545	14	190
5040	14	270
5050	14	270

Installation of taper bush pulley

Caution: Switch off the power supply before commencing work on electrical components.

Step 1:

Make sure the bush is taken out of the hub if it's already installed. Clean the taper bush thoroughly, remove oil, dirt, grease, and metal filings.

Also clean the bore, the shaft, the outer surface of the bush.



Step 2:

Put the bush within the hub and align with the half threaded holes of pulley with those of the un-threaded half holes of bush to fix the position.



Step 3:

Lubricate inserting tip and threads of the set screws. Put the screws in the holes that are threaded hub-side. Tighten the set screws manually in alternate pattern till possible rotations.



Step 4: Put the assembly onto the shaft and keep it in the right position. Insert the right sized key into the shaft keyway and ensure that the key is the most suitable fit into the shaft keyway. Further tighten the alternate set screws until every screw is pulled up and the bushing has been perfectly placed into the hub.



Step 5: Then tighten the screws further. Use a torque wrench to do so until they are all set to require tightening torque from the table for exact size.



Step 6: Run the drive under load for short time and re-check tightness of screws, if loosen; tighten for specified tightening torque.

Step 7: Fill the other holes with grease to Restrict foreign particle contamination.

Disassembling the Taper Bush Pulley:

Step 1:

Take out the set screws from taper bush pulley.

Step 2: Put screws into the holes threaded on the bushing part. Skip one screw that is not used while removing the bushing.

Step 3: Tighten the placed screws until the bushing gets to loosen up in the hub. In case it's not loosening instantly, tap on the hub (use Wooden /Teflon hammer) to help it remove.

Step 4: Remove the pulley, including the bush, from shaft

Types of Pulleys

V-Pulleys



Poly-V Pulleys



Timing Pulleys



Sheet metal Pulleys



Self cooling Pulleys



QD Bush Pulleys



Non-standard Pulleys



Grading Pulleys



Service Equipment

PIX-Service Kit



PIX Service Kit is a composite gear with all essential tools required by the users in maintaining the drive.

PIX-X'Align (Laser-guided Pulley Alignment Instrument)



Robust and highly effective maintenance tool, used to correct the misalignment of pulleys in a drive.

PIX-Digital Tension Meter



PIX Digital Tension Meter is used to correct the tension factor in a drive, thus helping the users' to attain the optimum Belt-tension.

PIX-Pulley Gauges



PIX-Pulley Gauges are specially designed for checking the profiles of the grooves of various conventional and dual-section pulleys.

PIX at a Glance..

- Fastest emerging global player in the mechanical power transmission products
- Over five decades of expertise of manufacturing quality products
- Strong global brand identity
- Distribution network in over 100 countries
- Global product approvals, quality management systems
- Global presence, subsidiary operations in U.K., Germany and UAE
- State-of-art infrastructure for the development, manufacturing and testing of products
- Dedicated and committed R&D team

IATF 16949:2016	ISO 450001:2018	ISO 9001:2015	ISO 14001:2015
---------------------------	---------------------------	-------------------------	--------------------------

Corporate Office



PIX Transmissions Ltd.

B-1208, 12th Floor, One BKC,
Bandra-Kurla, Complex Bandra (East),
Mumbai - 400051
Maharashtra, India

- ☎ +91-(0)-22-61383000
- ☎ +91-(0)-22-61383025
- ✉ info@pixtrans.com
- 🌐 www.pixtrans.com

Registered Office



PIX Transmissions Ltd.

J-7, M.I.D.C. Hingna Road,
Nagpur - 440016
Maharashtra, India

- ☎ +91-(0)-7104 669 000
- ☎ +91-(0)-7104 669 007/8
- ✉ info@pixtrans.com
- 🌐 www.pixtrans.com

Overseas Offices



PIX Germany GmbH

Karl-Schurz-Str. 35
33100 Paderborn, Germany

- ☎ +49 (0) 5251-2844 070
- ☎ +49 (0) 5251-2844 099
- ✉ info@pixgermany.com
- 🌐 www.pixgermany.de



PIX Transmissions (Europe) Ltd.

12, Sterling Complex, Farthing
Road, Ipswich, Suffolk IP1 5AP
United Kingdom

- ☎ +44 (0) 1473-743 511
- ☎ +44 (0) 1473-742 227
- ✉ info@pixtranseu.com
- 🌐 www.pixtranseu.com



PIX Middle East FZC

P. O. Box: 54526,
Technology Park 16/1,
R.A.K. Free Trade Zone,
Ras-Al-Khaimah, UAE

- ☎ +971-7-2444366
- ☎ +971-7-2444367
- ✉ info@pixme.ae
- 🌐 www.pixme.ae



PIX Middle East Trading LLC

P. O. Box: 238085
Near UAE Exchange
Al Quasis Ind-2
Dubai, U.A.E.

- ☎ +971-4-2345 100
- ☎ +971-4-2345 101
- ✉ info@pixme.ae
- 🌐 www.pixme.ae